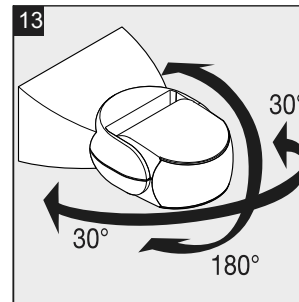
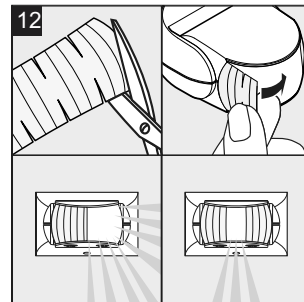
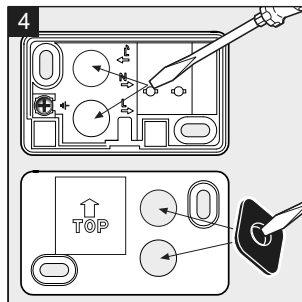
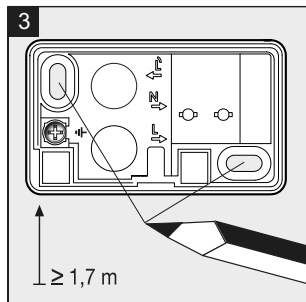
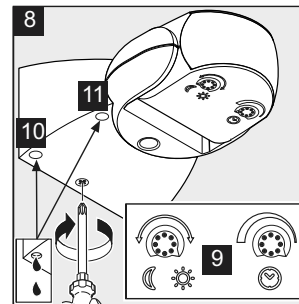
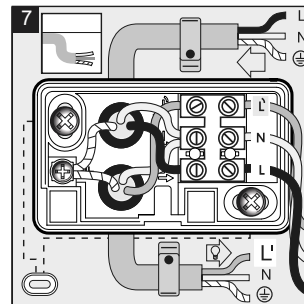
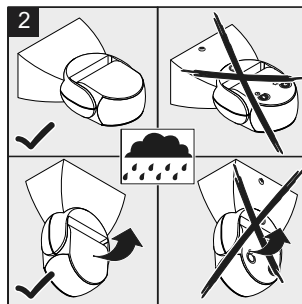
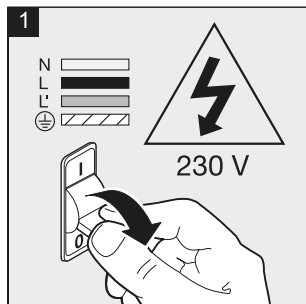
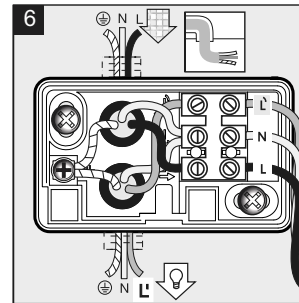
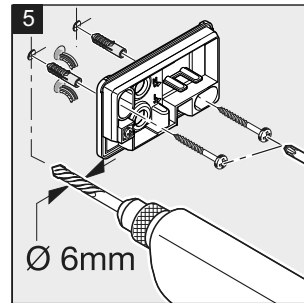
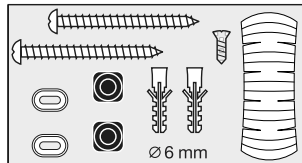


i | IS 1

DE GB FR NL IT ES PT SE DK FI NO GR TR

	50 x 80 x 120 mm
	230 - 240 V
	max. 500 W
	max. 500 W cosφ=0.5
	max. 4x56 W, C<88µF, 14
	120°
	max. 10 m

	IP 54
	2 - 2000 Lux
	8 s - 35 min



GB ENGLISH

Principle

Movement triggers lights, alarms and many other devices - for your convenience and safety. The integrated pyroelectric infrared detector senses the invisible heat radiated from moving objects (people, animals, etc.). The heat detected in this way is converted electronically into a signal that activates the load connected. Heat radiation is not detected through obstacles, such as walls or glass, and will therefore not activate the light.

Safety warnings

During installation, the electrical wiring being connected must not be live. Therefore, switch off the power first and use a voltage tester to check that the power supply is disconnected. Installing this unit involves work on the mains voltage supply. This must therefore be carried out in accordance with applicable national wiring regulations and electrical operating conditions. (DEVDE 01010T-ÖVE-ÖNORM E8000HSEV 1000) Only use genuine replacement parts. Do not dismantle the unit yourself. It must only be repaired by a specialist workshop.

Installation

L = live conductor (usually black or brown)
N = neutral conductor (usually blue)
PE = any protective earth conductor (green/yellow)

Connection with concealed wiring Connection with surface-mounted wiring

Attention: Loop the protective-earth conductor through if necessary. A mains power switch for turning the unit ON and OFF may of course be installed in the mains supply lead. Important: Reversing the connections may result in damage to the unit. Please note that the light must be protected by a 10 A circuit breaker. If necessary, the hole to let out condensation water (wall mounting, ceiling mounting) must be opened up with a 5 mm drill bit.

Fluorescent lamps, low-energy bulbs, LED lights with electronic ballast (total capacity of all connected ballasts to be below the value specified) operating on 230 V AC.

Function

Twilight setting (factory setting: daylight operation at 2000 lux):
The sensor's response threshold can be infinitely varied from 2 – 2000 lux.
Control dial set to ☀ = daylight operation at approx. 2000 lux.
Control dial set to 🌙 = night-time operation at approx. 2 lux.
To adjust the detection zone in daylight, the control dial must be set to ☀ (daylight operation).

Time setting (factory setting: 8 sec): Light ON time can be adjusted continuously from 8 sec to 35 min
Control dial set to – = shortest time (8 sec)
Control dial set to + = longest time (35 min)
When setting the detection zone, it is recommended to select the shortest time.

Adjusting the detection zone

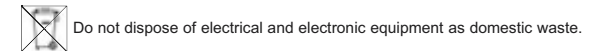
Using adhesive shrouds, e.g. for masking out paths or neighbouring property
Reach 2 – 10 m, by turning the sensor lens through 180°.

Troubleshooting / Fault / Cause / Remedy

No power / Fuse faulty, not switched on fuse, turn power switch ON, check lead with voltage tester.
Will not switch ON / Surroundings still too bright / Wait until response threshold is reached or adjust setting
Bulb faulty / change bulb
Power switch OFF / switch on
Detection zone not properly targeted / Will not switch OFF / Surroundings not yet bright enough / Wait until response threshold is reached or adjust setting
Permanent movement in the detection zone / set detection zone / set to manual override / set two-circuit switch to automatic / keep switching ON/OFF
There is a light in the detection zone / change detection zone, increase distance
Switches ON when unwanted detecting cars on the road, for example / change detection zone, tilt sensor down
Differing ambient temperatures at low temperatures, shorten reach by tilting sensor down; at high temperatures, tilt sensor up.

Disposal

Electrical and electronic equipment, accessories and packaging must be recycled in an environmentally compatible manner.



EU countries only: Under the current European Directive on Waste Electrical and Electronic Equipment and its implementation in national law, electrical and electronic equipment no longer suitable for use must be collected separately and recycled in an environmentally compatible manner.

Manufacturer's warranty

This STEINEL product has been manufactured with great care, tested for proper operation and safety in accordance with applicable regulations and then subjected to random sample inspection. STEINEL guarantees that it is in perfect condition and proper working order. The warranty period is 36 months, starting from the date of sale to the consumer. We will remedy defects caused by material flaws or manufacturing faults. The warranty will be met by repair or replacement of defective parts at our own discretion. The warranty does not cover damage to wear parts, nor does it cover damage or defects caused by improper treatment, maintenance or the use of non-genuine parts. Further consequential damage to other objects shall be excluded. The warranty will only be honoured if the product is sent to the appropriate Service Centre fully assembled and well packed with a brief description of the fault, receipt or invoice (date of purchase and dealer's stamp).

3 YEAR WARRANTY Service: Our Customer Service Department will repair faults not covered by warranty or after the warranty period. Please send the product well packed to your nearest Service Centre.