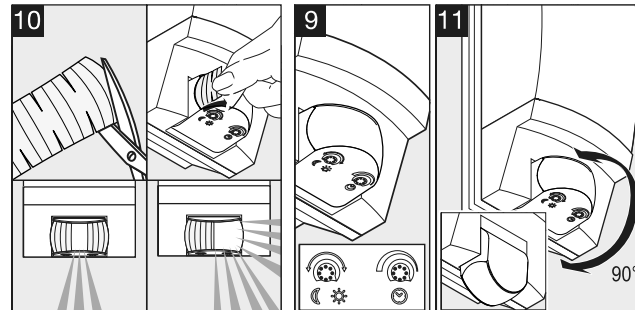
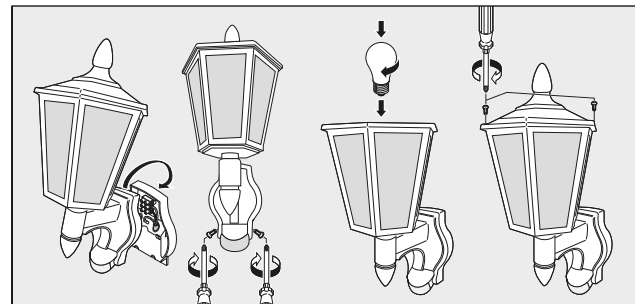
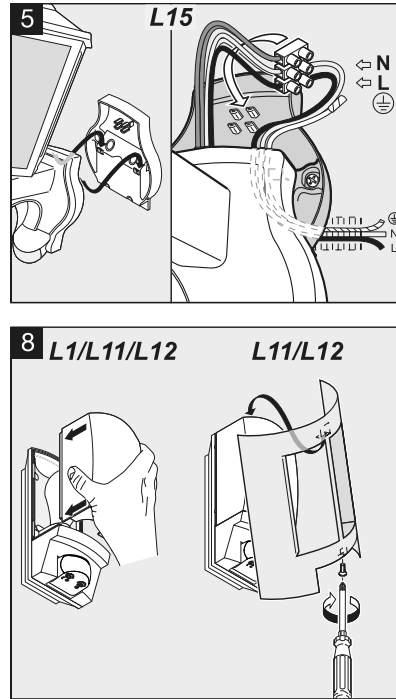
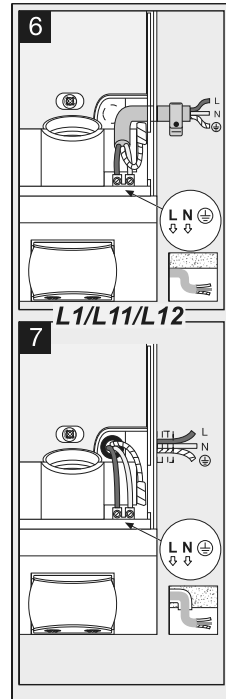
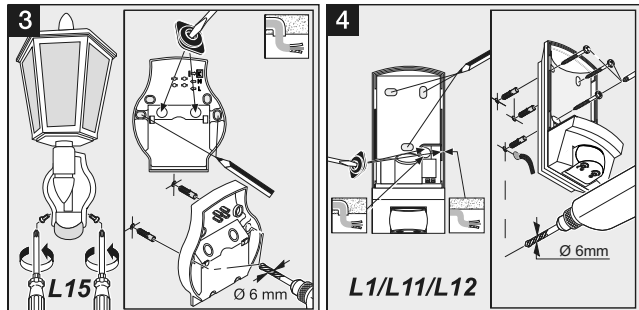
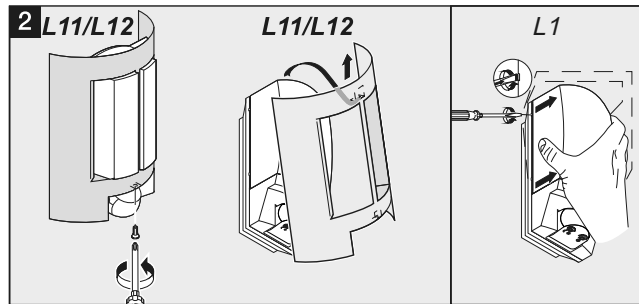
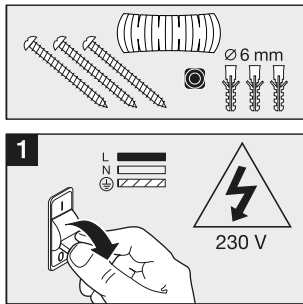




**i** | L1 L11 L12 L15

	L1- 255x110x120 mm L11- 280x214x114 mm L12- 272x155x108 mm L15- 410x190x240 mm
	180° max 10 m
	230 V, 50 Hz max. 60 W / E27
	IP44
	2 - 2000 Lux
	8 sec. - 35 min
	- 20°C / + 40°C



**Principle**

Movement triggers lights, alarms and many other devices - for your convenience and safety. The integrated pyroelectric infrared detector senses the invisible heat radiated from moving objects (people, animals, etc.). The heat detected in this way is converted electronically into a signal that activates the light connected. Heat radiation is not detected through obstacles, such as walls or glass, and will therefore not activate the light.

**Safety warnings**

During installation, the electrical wiring being connected must be dead. Therefore, switch off the power first and use a voltage tester to check that the power supply is disconnected. Installing this light involves work on the mains voltage supply. This work must therefore be carried out by a specialist in accordance with the applicable national wiring regulations and electrical operating conditions (VDE 0100/0101/0102/0104/0105/0106/0107/0108/0109/0110/0111/0112/0113/0114/0115/0116/0117/0118/0119/0120/0121/0122/0123/0124/0125/0126/0127/0128/0129/0130/0131/0132/0133/0134/0135/0136/0137/0138/0139/0140/0141/0142/0143/0144/0145/0146/0147/0148/0149/0150/0151/0152/0153/0154/0155/0156/0157/0158/0159/0160/0161/0162/0163/0164/0165/0166/0167/0168/0169/0170/0171/0172/0173/0174/0175/0176/0177/0178/0179/0180/0181/0182/0183/0184/0185/0186/0187/0188/0189/0190/0191/0192/0193/0194/0195/0196/0197/0198/0199/0200/0201/0202/0203/0204/0205/0206/0207/0208/0209/0210/0211/0212/0213/0214/0215/0216/0217/0218/0219/0220/0221/0222/0223/0224/0225/0226/0227/0228/0229/0230/0231/0232/0233/0234/0235/0236/0237/0238/0239/0240/0241/0242/0243/0244/0245/0246/0247/0248/0249/0250/0251/0252/0253/0254/0255/0256/0257/0258/0259/0260/0261/0262/0263/0264/0265/0266/0267/0268/0269/0270/0271/0272/0273/0274/0275/0276/0277/0278/0279/0280/0281/0282/0283/0284/0285/0286/0287/0288/0289/0290/0291/0292/0293/0294/0295/0296/0297/0298/0299/0300/0301/0302/0303/0304/0305/0306/0307/0308/0309/0310/0311/0312/0313/0314/0315/0316/0317/0318/0319/0320/0321/0322/0323/0324/0325/0326/0327/0328/0329/0330/0331/0332/0333/0334/0335/0336/0337/0338/0339/0340/0341/0342/0343/0344/0345/0346/0347/0348/0349/0350/0351/0352/0353/0354/0355/0356/0357/0358/0359/0360/0361/0362/0363/0364/0365/0366/0367/0368/0369/0370/0371/0372/0373/0374/0375/0376/0377/0378/0379/0380/0381/0382/0383/0384/0385/0386/0387/0388/0389/0390/0391/0392/0393/0394/0395/0396/0397/0398/0399/0400/0401/0402/0403/0404/0405/0406/0407/0408/0409/0410/0411/0412/0413/0414/0415/0416/0417/0418/0419/0420/0421/0422/0423/0424/0425/0426/0427/0428/0429/0430/0431/0432/0433/0434/0435/0436/0437/0438/0439/0440/0441/0442/0443/0444/0445/0446/0447/0448/0449/0450/0451/0452/0453/0454/0455/0456/0457/0458/0459/0460/0461/0462/0463/0464/0465/0466/0467/0468/0469/0470/0471/0472/0473/0474/0475/0476/0477/0478/0479/0480/0481/0482/0483/0484/0485/0486/0487/0488/0489/0490/0491/0492/0493/0494/0495/0496/0497/0498/0499/0500/0501/0502/0503/0504/0505/0506/0507/0508/0509/0510/0511/0512/0513/0514/0515/0516/0517/0518/0519/0520/0521/0522/0523/0524/0525/0526/0527/0528/0529/0530/0531/0532/0533/0534/0535/0536/0537/0538/0539/0540/0541/0542/0543/0544/0545/0546/0547/0548/0549/0550/0551/0552/0553/0554/0555/0556/0557/0558/0559/0560/0561/0562/0563/0564/0565/0566/0567/0568/0569/0570/0571/0572/0573/0574/0575/0576/0577/0578/0579/0580/0581/0582/0583/0584/0585/0586/0587/0588/0589/0590/0591/0592/0593/0594/0595/0596/0597/0598/0599/0600/0601/0602/0603/0604/0605/0606/0607/0608/0609/0610/0611/0612/0613/0614/0615/0616/0617/0618/0619/0620/0621/0622/0623/0624/0625/0626/0627/0628/0629/0630/0631/0632/0633/0634/0635/0636/0637/0638/0639/0640/0641/0642/0643/0644/0645/0646/0647/0648/0649/0650/0651/0652/0653/0654/0655/0656/0657/0658/0659/0660/0661/0662/0663/0664/0665/0666/0667/0668/0669/0670/0671/0672/0673/0674/0675/0676/0677/0678/0679/0680/0681/0682/0683/0684/0685/0686/0687/0688/0689/0690/0691/0692/0693/0694/0695/0696/0697/0698/0699/0700/0701/0702/0703/0704/0705/0706/0707/0708/0709/0710/0711/0712/0713/0714/0715/0716/0717/0718/0719/0720/0721/0722/0723/0724/0725/0726/0727/0728/0729/0730/0731/0732/0733/0734/0735/0736/0737/0738/0739/0740/0741/0742/0743/0744/0745/0746/0747/0748/0749/0750/0751/0752/0753/0754/0755/0756/0757/0758/0759/0760/0761/0762/0763/0764/0765/0766/0767/0768/0769/0770/0771/0772/0773/0774/0775/0776/0777/0778/0779/0780/0781/0782/0783/0784/0785/0786/0787/0788/0789/0790/0791/0792/0793/0794/0795/0796/0797/0798/0799/0800/0801/0802/0803/0804/0805/0806/0807/0808/0809/0810/0811/0812/0813/0814/0815/0816/0817/0818/0819/0820/0821/0822/0823/0824/0825/0826/0827/0828/0829/0830/0831/0832/0833/0834/0835/0836/0837/0838/0839/0840/0841/0842/0843/0844/0845/0846/0847/0848/0849/0850/0851/0852/0853/0854/0855/0856/0857/0858/0859/0860/0861/0862/0863/0864/0865/0866/0867/0868/0869/0870/0871/0872/0873/0874/0875/0876/0877/0878/0879/0880/0881/0882/0883/0884/0885/0886/0887/0888/0889/0890/0891/0892/0893/0894/0895/0896/0897/0898/0899/0900/0901/0902/0903/0904/0905/0906/0907/0908/0909/0910/0911/0912/0913/0914/0915/0916/0917/0918/0919/0920/0921/0922/0923/0924/0925/0926/0927/0928/0929/0930/0931/0932/0933/0934/0935/0936/0937/0938/0939/0940/0941/0942/0943/0944/0945/0946/0947/0948/0949/0950/0951/0952/0953/0954/0955/0956/0957/0958/0959/0960/0961/0962/0963/0964/0965/0966/0967/0968/0969/0970/0971/0972/0973/0974/0975/0976/0977/0978/0979/0980/0981/0982/0983/0984/0985/0986/0987/0988/0989/0990/0991/0992/0993/0994/0995/0996/0997/0998/0999/1000).

**Installation**

L = live conductor (usually black or brown), N = neutral conductor (usually blue)  
PE = any protective earth conductor (green/yellow)

Connection, exposed wiring, concealed wiring

Attention: A mains switch for switching the light ON and OFF can of course be installed in the mains lead. Important: Reversing the connections may result in damage to the unit. Please note that the light must be protected by a 10 A circuit breaker.

The light arm must be engaged in the bracket to protect the internal wires from strain.

**Function**

Twilight setting (factory setting: daylight operation at 2000 lux):

The sensor's response threshold can be infinitely varied from 2 – 2000 lux.

Control dial set to = daylight operation at approx. 2000 lux.

Control dial set to = night-time operation at approx. 2 lux.

To adjust the detection zone in daylight, the control dial must be set to (daylight operation).

Time setting (factory setting: 8 sec.):

Light ON time can be adjusted continuously from 8 sec. to 35 min.

Control dial set to - = shortest time (8 sec.).

Control dial set to + = longest time (35 min.).

When setting the detection zone, it is recommended to select the shortest time.



**Adjusting the detection zone**

using adhesive shrouds, for example, to mask out paths or neighbouring premises reach can be adjusted as required to between 2 and 10 m by tilting the lens 90°.

**Troubleshooting**

**Fault / Cause Remedy**  
No power Fuse faulty, not switched ON, turn power switch ON, check lead with voltage tester.  
Will not switch ON Surroundings still too bright, wait until response threshold is reached or adjust setting.  
Bulb faulty change bulb.  
Power switch OFF switch on.  
Detection zone not properly targeted readjust.  
Will not switch OFF Surroundings not yet bright enough, wait until response threshold is reached or adjust setting.  
Constant movement in the detection zone adjust detection zone.  
Switches ON when unwanted Detecting cars on the road, for example, adjust detection zone, tilt sensor down.  
Reach changing Differing ambient temperatures at low temperatures, shorten reach by tilting sensor down; at high temperatures, tilt sensor up.

**Functional warranty**

This STEINEL product has been manufactured with utmost care, tested for proper operation and safety in line with applicable regulations and then subjected to random sample inspection. STEINEL guarantees that it is in perfect condition and proper working order. The warranty period is 36 months and starts on the date of sale to the consumer. We will remedy defects caused by material flaws or manufacturing faults. The warranty will be met by repair or replacement of defective parts at our own discretion. The warranty shall not cover damage to wear parts, damage or defects caused by improper treatment or maintenance. Further consequential damage to other objects is excluded. Claims under the warranty shall only be accepted if the product is sent fully assembled and well packed complete with a brief description of the fault, a receipt or invoice (date of purchase and dealer's stamp) to the appropriate Service Centre.

**Service**

Please ask your nearest service centre how to proceed for repairing faults not covered by the warranty or occurring after the warranty expires.