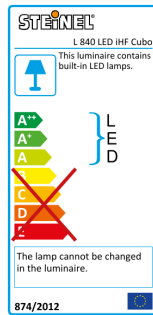


Sensor-switched outdoor light

L 840 LED iHF

Silver

EAN 4007841 055547



LED

30 years (Ø 4,5h / day)



3000K warm-white



intelligent high frequency sensor 160°



1 - 5 m



IP44



2 - 2000 lux



5 sec - 60 min



soft light start



manual override



energy saving

Function description

Digital. Interconnected. Intelligent. The L 830/835/840 LED iHF range of sensor-switched lights captivates with a classy look and embellishes any building. With concealed 160° iHF sensor (5 m reach) that only responds to human movement. Night-light function, soft light start and 4-hour manual override (3000 K). Wireless interconnection via Bluetooth, any chosen settings via STEINEL app. Three design options. Available in anthracite or silver.

Sensor-switched outdoor light

L 840 LED iHF

Silver

EAN 4007841 055547

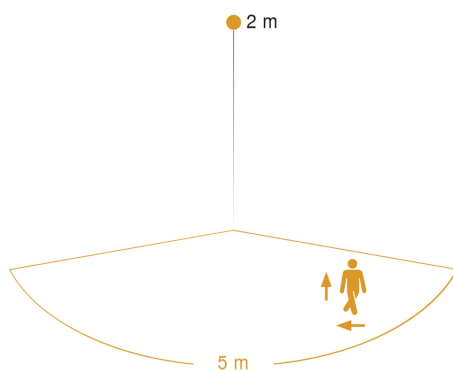


Technical specifications

Dimensions (L x W x H)	134 x 110 x 110 mm
Mains power supply	220 – 240 V / 50 – 60 Hz
Mounting height max.	2,50 m
Sensor Technology	iHF (intelligent high-frequency technology)
Output	9,5 W
Interconnection	Yes
Type of interconnection	Master/slave
Luminous flux	429 lm
Colour temperature	3000 K
Colour Rendering Index CRI	80-89
With lamp	Yes, STEINEL LED system
Lamp	LED cannot be replaced
LED life expectancy (max. °C)	50000 h
Base	without
LED cooling system	Passive Thermo Control
With motion detector	Yes
Detection angle	160 °
Angle of aperture	160 °
Sneak-by guard	Yes
Capability of masking out individual segments	Yes
Electronic scalability	Yes

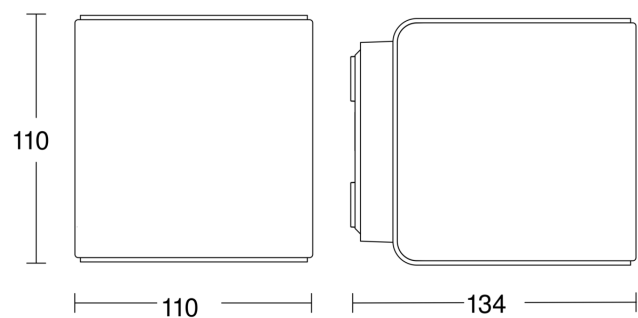
Mechanical scalability	No
Reach, radial	r = 5 m (35 m ²)
Reach, tangential	r = 5 m (35 m ²)
Photo-cell controller	Yes
Twilight setting	2 – 2000 lx
Time setting	5 s – 15 Min.
Basic light level function	Yes
Basic light level function time	10/30 min, all night
Soft light start	Yes
Continuous light	selectable, 4h
Impact resistance	IK03
IP-rating	IP44
Protection class	II
Ambient temperature	-20 – 40 °C
Housing material	Plastic
Cover material	Plastic, opal
Manufacturer's Warranty	3 years
Settings via	Bluetooth, Potentiometers
With remote control	No
Version	Silver
PU1, EAN	4007841055547

Detection Zone



Mögliche Montagehöhe: 1,80 m – 2,50 m
Orange: radial und tangential

Dimension Drawing



Sensor-switched outdoor light

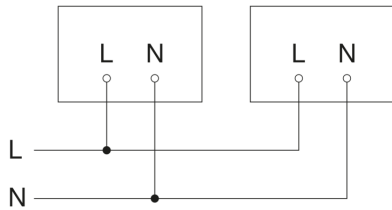
L 840 LED iHF

Silver

EAN 4007841 055547



Master/slave interconnection circuit diagram



Master/master interconnection circuit diagram

