

MHG; MHJ; MHS; MHD; MHR; SPH komfotherm

Deutsch

Natursteinheizung Gebrauchs- und Montageanweisung

English

Natural stone heating Operation and installation instructions

Français

Radiateur à Pierre Naturelle Notice d'utilisation et de montage

Nederlands

Natuur steen verwarming Gebruiks- en installatieaanwijzing



7829.01

Inhaltsverzeichnis

Deutsch Seite 4 - 7

1. Gebrauchsanweisung	4
1.1 Gerätebeschreibung	
1.2 Bedienung	
1.3 Sicherheitshinweise	
1.4 Pflege und Wartung	
1.5 Was tun wenn ...?	
1.6 Wichtiger Hinweis	
2. Montageanweisung	4
2.1 Geräteaufbau	
2.2 Vorschriften und Bestimmungen	
2.3 Montageort	
2.4 Gerätemontage	
2.5 Erstinbetriebnahme	
2.6 Übergabe	
2.7 Sonderzubehör	
Technische Daten	
Umwelt und Recycling	6
Kundendienst und Garantie	6

Table of contents

English page 8 - 9

1. Operation instructions	8
1.1 Unit description	
1.2 Operation	
1.3 Safety guidance	
1.4 Care and maintenance	
1.5 What shall i do if ...?	
1.6 Important note	
2. Installation instructions	8
2.1 Unit construction	
2.2 Provisions and regulations	
2.3 Installation location	
2.4 Installation of the unit	
2.5 First start-up	
2.6 Handover	
2.7 Special accessories	
Technical data	
Environment and recycling	9
Guarantee	9

Contenu

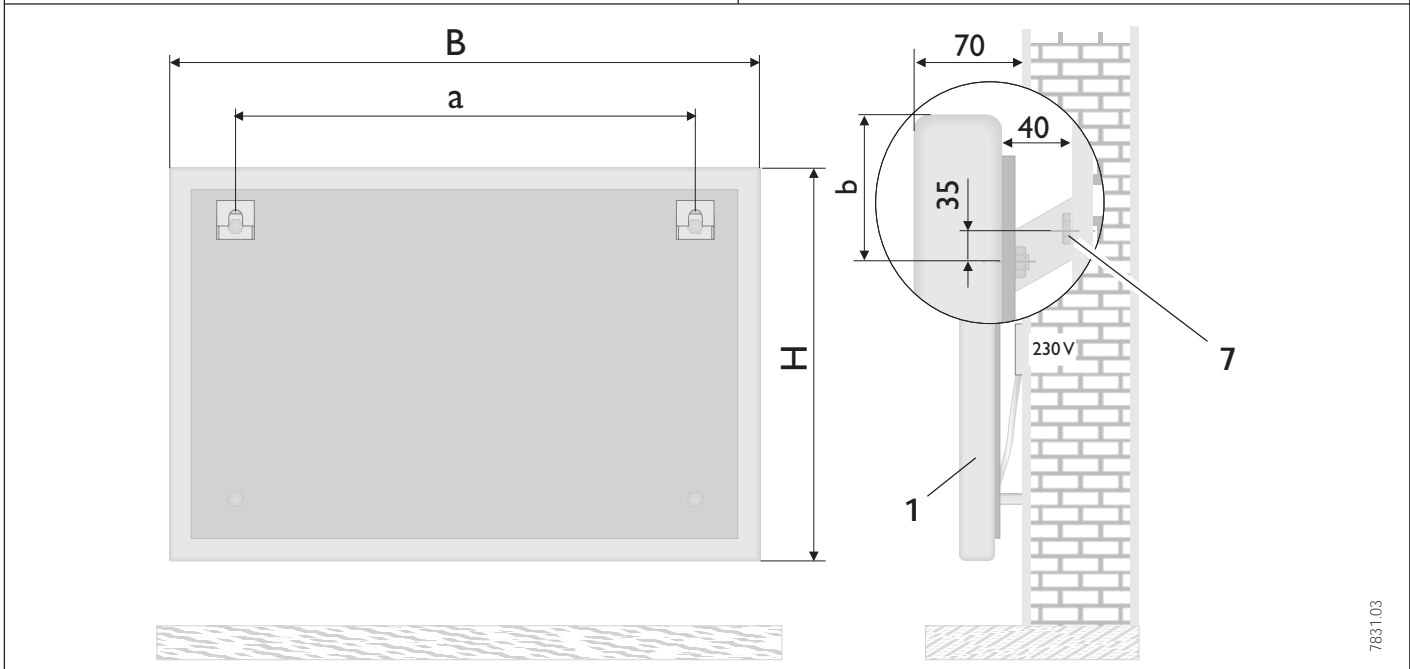
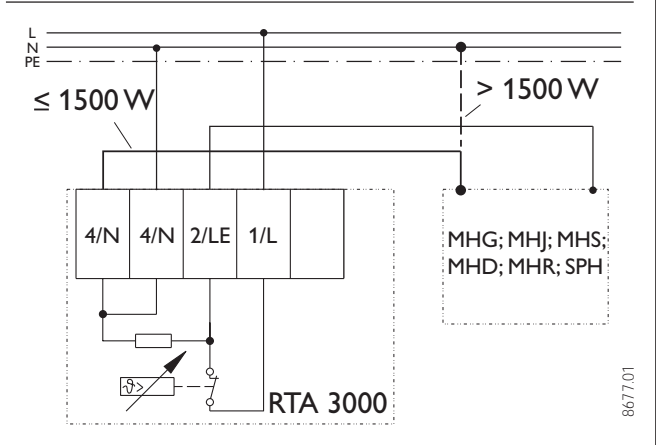
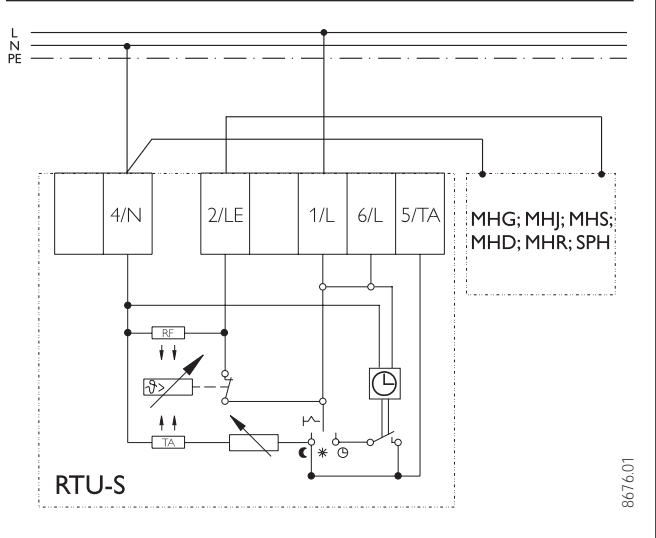
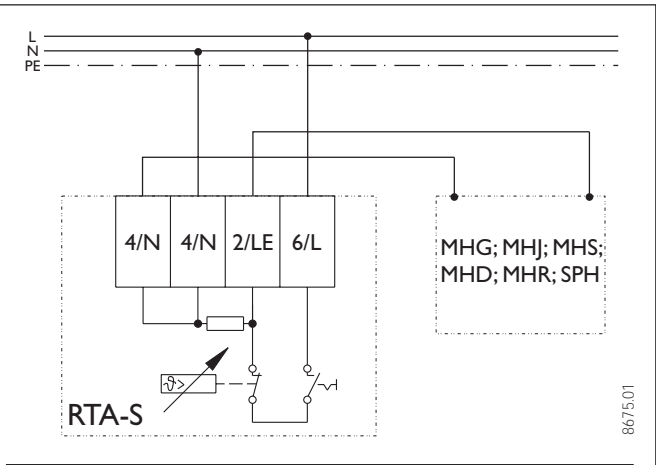
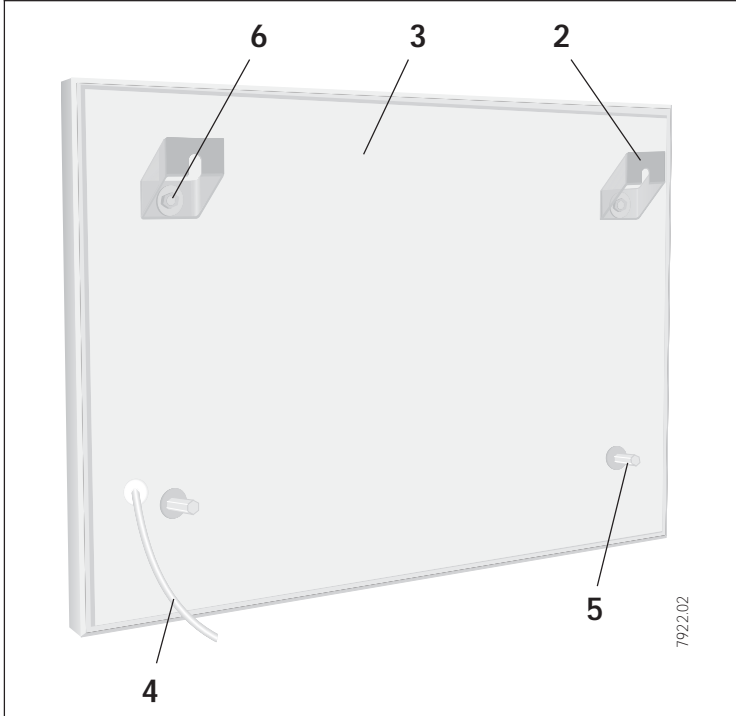
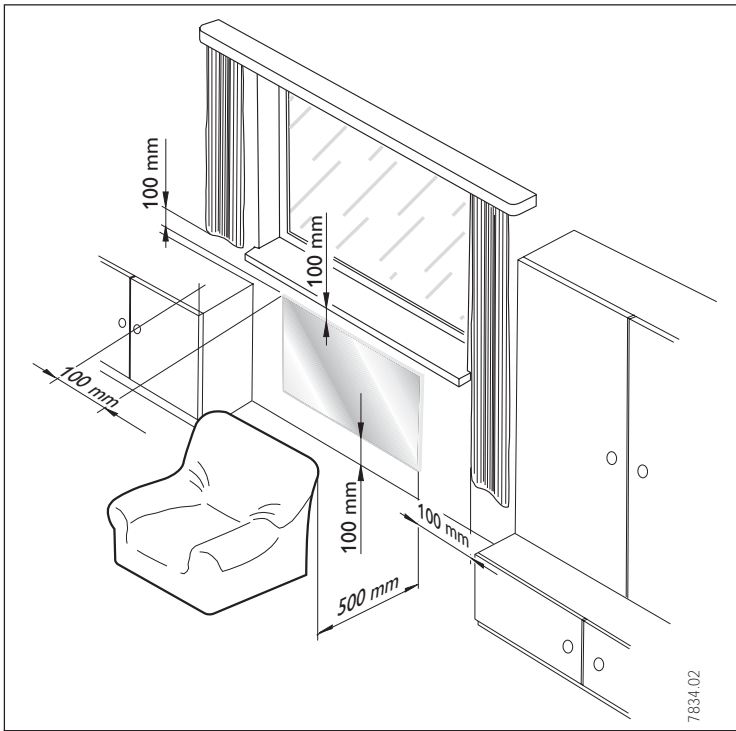
Français page 10 - 11

1. Notice d'utilisation	10
1.1 Description de l'appareil	
1.2 Commande	
1.3 Règles de sécurité	
1.4 Entretien et maintenance	
1.5 Que faire, si ...?	
1.6 Remarque importante	
2. Notice de montage	10
2.1 Composition de l'appareil	
2.2 Prescriptions et dispositions réglementaires	
2.3 Lieu de montage	
2.4 Montage de l'appareil	
2.5 Première mise en service	
2.6 Remise	
2.7 Accessoires spéciaux	
Caractéristiques techniques	
Environnement et recyclage	11
Garantie	11

Inhoudsoverzicht

Nederlands bladzijde 12 - 13

1. Gebruiksaanwijzing	12
1.1 Beschrijving van het toestel	
1.2 Bediening	
1.3 Veiligheidsvoorschriften	
1.4 Onderhoud en reiniging	
1.5 Wat te doen indien ...?	
1.6 Belangrijke aanwijzing	
2. Montageaanwijzing	12
2.1 Opbouw van het toestel	
2.2 Voorschriften en bepalingen	
2.3 Plaats van montage	
2.4 Montage van het toestel	
2.5 Eerste ingebruikneming	
2.6 Overdracht	
2.7 Speciale accessoires	
Technische gegevens	
Milieu en recycling	13
Garantie	13





1. Operation instructions for the user and the professional

1.1 Unit description

The natural stone heating unit is an electrically heated marble or soapstone slab, which is controlled via a wall-mounted room thermostat.

For this, a heating conductor is let into the back of a high-grade 30 mm thick natural stone slab (1), this serves to heat the slab uniformly.

The heat stored in the natural stone slab is given off in the form of long-wave rays (comparable with the sun's rays) and thus warms the people and objects located within the room equally, without causing air turbulence. Unwanted radiation towards the rear is prevented by a 4 mm thick large-surface insulating board on the rear of the slab.

By using special dowels to secure the wall mountings (2) to the natural stone slab, the securing points are not visible from the front, which means that the structure of the slab is not interrupted. The wall mountings can be changed round in such a way that the natural stone heating unit can be installed both horizontally and vertically.

1.2 Operation

The natural stone heating unit is controlled exclusively by wall mounted room thermostat

(surface or concealed mounting). The operating and installation instructions of the respective control unit are to be observed in this process.

1.3 Safety guidance

- The installation (electrical installation), as well as the first start-up and maintenance of this unit, may only be carried out by a registered qualified installer in accordance with these instructions.
- Under no circumstances must the unit be operated if work such as the laying, sanding, sealing, cleaning with petrol and care of floors (spray, floor wax) and the like is being carried out.
- During operation the surface of the natural stone will be hot (approx. 80°C). **Danger of burning !**
Keep children away from heater!
- No objects must be placed on the unit, leaned against it, or placed between the heating unit and the wall (e.g. to dry washing). Moreover, no flammable, ignitable or heat insulating objects or materials such as washing, blankets, magazines, containers of floor wax or petrol, spray cans and the like, must be placed in the immediate vicinity of the unit. **Danger of fire!**
- For objects of all kinds, such as for example furniture, drapes, curtains and textiles or

other flammable or non-flammable materials, a minimum distance of 100 mm from all sides of the unit, and 500 mm from the front of the unit, must be adhered to.

1.4 Care and maintenance

A moist cloth is sufficient for care and cleaning of the natural stone heating unit in the cooled down state.

Abrasive and corrosive cleaning products are to be avoided.

1.5 What shall I do if.....?

If the natural stone heating unit fails to warm up, check whether the relevant fuses in the fuse box or the fault-current circuit breaker have cut out.

Rectify the cause!

If the cause cannot be rectified, the qualified installer must be informed.

1.6 Important note



Keep these instructions carefully, and hand them to your successor in the event of a change in ownership.

In the event of any repair work, pass them to the qualified installer for his inspection.



2. Installation instructions for the professional

Installation, electrical connection, and first start-up must be carried out by a qualified installer who is registered by the appropriate electricity supply company, under observance of these installation instructions.

2.1 Unit construction

- 1 Natural stone slab
- 2 Wall mountings
- 3 Insulating board
- 4 Mains connection cable
- 5 Spacer bolts
- 6 Wall mounting securing screw
- 7 Hexagonal screw

A channel system is cut into the back of the natural stone slab, into which a heating conductor with two automatic-reset safety thermal cut-out is inserted.

To cover this over, the channel system is finally filled with marble bonding cement and an insulating board is bonded over it.

2.2 Provisions and regulations

- The unit may only be fitted on a vertical wall which is temperature resistant to at least 90°C.

- Minimum distances to the surfaces of adjacent objects must be adhered to.
- The unit rating plate is to be noted. The stated voltage must correspond to the mains voltage.
- All electrical connection and installation work is to be carried out in accordance with the VDE (Association of German Electrical Engineers) regulations (DIN VDE 0100 T520 A3), the provisions of the appropriate electricity supply companies, and the relevant national and regional provisions.
- Connection to the mains network is only possible in the form of a fixed connection.
- The unit must not be fitted directly beneath a wall electrical socket.
- It must be possible to isolate the unit from the mains network on all poles with an isolating distance of at least 3 mm. Installation using a permanently laid connection lead is not permissible.
- If the heating unit is installed in rooms with a bath and/or a shower, the protection zone according to VDE 0100 Part 701, in conformity with the information on the unit rating plate, is to be taken into account.

- The unit is to be fitted in such a way that switching and control devices cannot be touched by anyone in the bath or under the shower.
- The supply equipment is to be rated in accordance with the rated input of the unit.
- Installation of the connection box in rooms with a bath and/or shower not in protection zones 1 and 2.

2.3 Installation location

The natural stone heating unit is designed exclusively for fixed wall mounting. In this regard, care is to be taken to ensure that a wall with a sufficient load bearing capacity is available.

Installation is possible in all rooms, in bathrooms the natural stone heating unit can be installed in protection zone 2.


2.4 Installation of the unit

The unit is set up at the factory for horizontal installation.


In the event of vertical installation of the natural stone heating unit, the following changes

are to be made prior to starting the installation:


⇒ the wall mounting (2) lying above the mains connection lead must be exchanged with the spacer bolt lying diagonally (5).

 Care is to be taken to ensure that the mains connection cable is always located at the bottom edge;

⇒ rotate both wall mountings with the slotted hole openings to face downwards.

 Tighten the securing screws (6) in the natural stone heating unit carefully, as the dowels in the natural stone slab can otherwise be turned excessively.

2.4.1 Securing on the wall

 The natural stone heating unit must only be secured to a level wall, since cracks can otherwise occur in the natural stone slab as the result of stresses. In the event of any unevenness, the surface must be levelled prior to tightening the securing screws.

⇒ Measure out dimensions a and b for the drilled holes, on the natural stone heating unit.

⇒ Drill holes, based on the noted dimensions, in a wall with a sufficient load-bearing capacity, taking care to ensure that a safety distance of 100 mm on all sides is adhered to (e.g. dimension b + 100 mm).

⇒ Screw the hexagonal screws (7) into the drilled holes up to the point at which the natural stone heating unit with the open slotted holes in its wall mountings (2) can still be hooked on behind the screw head.


⇒ Hang the natural stone heating unit (do not allow to topple or tilt - danger of breakage) and tighten up the hexagonal screws. In this process, take care to ensure that any stresses which occur are compensated for by slightly loosening the securing screws (6) in the natural stone slab. These should subsequently be retightened up to the stop point (overtightening can cause dowels to become loose).

2.4.2 Electrical connection

Connect the natural stone heating unit only to a 230 V 50 Hz alternating current supply.

If the mains connection lead is shortened, take care to ensure that the natural stone heating unit can be taken off again, even without disconnecting the connection lead.

2.5 First start-up

 When the natural stone heating unit is heated up for the first time, a heating-up time of 20 minutes should not be exceeded. The slab must then cool down for at least 60 minutes.

This measure is to be repeated one further time.

In the first two days, the heating should be built up to the desired room temperature in stages. This avoids hairline cracks developing. If hairline cracks should nevertheless develop, this is not dangerous and impairs neither the functioning nor the safety of the natural stone heating unit.

2.6 Handover


Explain the functions of the unit to the user. Draw his or her attention to the safety instructions, in particular. Hand the operating and installation instructions to the user.

2.7 Special accessories

Control of the natural stone heating unit is effected using the room thermostat.

RTA-S: Room thermostat with thermal feedback, switching capacity 10A 250V.

RTA 3000: as RTA-S but without switch and a switching capacity of 3000 W.

 In the event of a heating capacity of more than 1500 W, the neutral conductor (N) is to be routed directly to the mains terminal, do not connect to the control unit.

RTU-S: Room thermostat with built-in synchronous timer (24 hr.) for automatic temperature reduction.



3. Environment and recycling

Please help us to protect the environment by disposing of the packaging in accordance with the national regulations for waste processing.



4. Guarantee

For guarantees please refer to the respective terms and conditions of supply for your country.



The installation, electrical connection and first operation of this appliance should be carried out by a qualified installer.

The company does not accept liability for failure of any goods supplied which are not installed in accordance with the manufacturer's instructions.

Technical data

Type		MHG 55 MHJ 55 MHS 55 MHD 55 MHR 55 SPH 55	MHG 90 MHJ 90 MHS 90 MHD 90 MHR 90 SPH 90	MHG 120 MHJ 120 MHS 120 MHD 120 MHR 120 SPH 120	MHG 140 MHJ 140 MHS 140 MHD 140 MHR 140 SPH 140
Rated power	W	550	900	1200	1400
Rated voltage		1/N ~ 230 V 50 Hz			
Dimensions H x W x D	mm	500 x 750 x 30	500 x 1000 x 30	500 x 1230 x 30	550 x 1230 x 30
Weight	kg	approx. 30	approx. 40	approx. 55	approx. 60
Mains connection		Connection lead approx. 100 cm; permanent connection			
Protection class		II			
Protection mode		IP 25, water jet protection			

Zentrale Holzminden

Stiebel Eltron GmbH & Co. KG
 Dr.-Stiebel-Str. 37603 Holzminden
 Telefon 055 31/7 02-0
 Fax Zentrale 055 31/7 02-4 80
 E-Mail info@stiebel-eltron.com
 Internet www.stiebel-eltron.com

Stiebel Eltron International GmbH

Dr.-Stiebel-Str. 37603 Holzminden
 Telefon 055 31/7 02-0
 Fax 055 31/7 02-4 79
 E-Mail info@stiebel-eltron.com
 Internet www.stiebel-eltron.com

Unseren zentralen Service erreichen Sie unter 0 180 3...

... in der Zeit von:

Montag bis Donnerstag 7¹⁵ bis 18⁰⁰ Uhr
Freitag 7¹⁵ bis 17⁰⁰ Uhr

Info-Center

allgemeine Information
 und technische Auskunft

Telefon 0 180 3 - 70 20 10**Telefax 0 180 3 / 70 20 15****E-Mail: info-center@stiebel-eltron.com****Kundendienst****Telefon 0 180 3 - 70 20 20****Telefax 0 180 3 / 70 20 25****E-Mail: kundendienst@stiebel-eltron.com****Ersatzteil-Verkauf****Telefon 0 180 3 - 70 20 30****Telefax 0 180 3 / 70 20 35****E-Mail: ersatzteile@stiebel-eltron.com**

0,09 €/min (Stand: 3/04)

**Stiebel Eltron Vertriebszentren**

Dortmund
 Oespel (Indupark)
 Brennaborstr. 19 44149 Dortmund
 Telefon 02 31 / 96 50 22-10
 E-Mail: dortmund@stiebel-eltron.com

Frankfurt
 Rudolf-Diesel-Str. 18 65760 Eschborn
 Telefon 0 61 73 / 6 02-10
 E-Mail: frankfurt@stiebel-eltron.com

Hamburg
 Georg-Heyken-Straße 4a 21147 Hamburg
 Telefon 0 40 / 75 20 18-10
 E-Mail: hamburg@stiebel-eltron.com

Holzminden/Info-Center
Berlin/Hannover/Nürnberg
 Dr.Stiebel-Straße 37603 Holzminden
 Telefon 0 180 3 / 70 20 10
 E-Mail: info-center@stiebel-eltron.com

Köln
 Ossendorf (Butzweiler Hof)
 Mathias-Brüggen-Str. 132 50829 Köln
 Telefon 02 21 / 5 97 71-10
 E-Mail: koeln@stiebel-eltron.com

Leipzig
 Airport Gewerbepark/Glesien
 Ikarusstr. 10 04435 Schkeuditz-Glesien
 Telefon 03 42 07 / 7 55-10
 E-Mail: leipzig@stiebel-eltron.com

München
 Hainbuchenring 4 82061 Neuried
 Telefon 0 89 / 89 91 56-10
 E-Mail: muenchen@stiebel-eltron.com

Stuttgart
 Weilimdorf
 Motorstr. 39 70499 Stuttgart
 Telefon 07 11 / 9 88 67-10
 E-Mail: stuttgart@stiebel-eltron.com

Tochtergesellschaften und Vertriebszentren Europa und Übersee

Belgique
 Stiebel Eltron Sprl/Pvba
 Rue Mitoyenne 897 B-4840 Welkenraedt
 ☎ 087-88 14 65 Fax 087-88 15 97
 E-Mail stiebel@skynet.be
 Internet www.stiebel-eltron.com

Česká republika
 Stiebel Eltron spol. s r.o.
 K Hájům 946 ČZ-15500 Praha 5-Stodulky
 ☎ 2-511 16 111 Fax 2-355 12 122
 E-Mail info@stiebel-eltron.cz
 Internet www.stiebel-eltron.cz

France
 Stiebel Eltron S.A.S.
 7-9, rue des Selliers
 B.P. 85107 F-57073 Metz-Cédex
 ☎ 03-87-74 38 88 Fax 03-87-74 68 26
 E-Mail secretcom@stiebel-eltron.fr
 Internet www.stiebel-eltron.fr

Great Britain
 Stiebel Eltron Ltd.
 Lyveden Road
 Brackmills GB-Northampton NN4 7ED
 ☎ 016 04-76 64 21 Fax 016 04-76 52 83
 E-Mail info@stiebel-eltron.co.uk
 Internet www.stiebel-eltron.co.uk

Magyarország
 Stiebel Eltron Kft.
 Pacsirtamező u. 41 H-1036 Budapest
 ☎ 012 50-6055 Fax 013 68-80 97
 E-Mail info@stiebel-eltron.hu
 Internet www.stiebel-eltron.hu

Nederland
 Stiebel Eltron Nederland B.V.
 Daviottenweg 36 NL-5202 CA's-Hertogenbosch
 Postbus 2020
 ☎ 073-6 23 00 00 Fax 073-6 23 11 41
 E-Mail stiebel@stiebel-eltron.nl
 Internet www.stiebel-eltron.nl

Österreich
 Stiebel Eltron Ges.m.b.H.
 Eferdinger Str. 73 A-4600 Wels
 ☎ 072 42-4 73 67-0 Fax 072 42-4 73 67-42
 E-Mail info@stiebel-eltron.at
 Internet www.stiebel-eltron.at

Polska
 Stiebel Eltron sp.z. o.o.
 ul. Instalatorów 9 PL-02-237 Warszawa
 ☎ 022-8 46 48 20 Fax 022-8 46 67 03
 E-Mail stiebel@stiebel-eltron.com.pl
 Internet www.stiebel-eltron.com.pl

Sverige
 Stiebel Eltron AB
 Box 206 SE-641 22 Katrineholm
 ☎ 0150-48 7900 Fax 0150-48 7901
 E-Mail info@stiebel-eltron.se
 Internet www.stiebel-eltron.se

Schweiz
 Stiebel Eltron AG
 Netzibodenstr. 23 c CH-4133 Pratteln
 ☎ 061-8 16 93 33 Fax 061-8 16 93 44
 E-Mail info@stiebel-eltron.ch
 Internet www.stiebel-eltron.com

Thailand
 Stiebel Eltron Ltd.
 469 Building 77, Bond Street
 Tambon Bangpood
 Ampur Pakkred Nonthaburi 11120
 ☎ 02-960 1602-4 Fax 02-960 1605
 E-Mail stiebel@loxinfo.co.th
 Internet www.stiebeltronasia.com

USA
 Stiebel Eltron Inc.
 242 Suffolk Street Holyoke MA 01040
 ☎ 04 13-5 38-78 50 Fax 04 13-5 38-85 55
 E-Mail info@stiebel-eltron-usa.com
 Internet www.stiebel-eltron-usa.com