

STEP BY STEP INSTRUCTIONS FOR FITTING THE SUNHEAT BATHROOM HEATER

1. Find Suitable location:

Locate the Sunheat in a central location in the bathroom to gain the widest spread of heat. Make sure there is enough clearance height in the roof space to accommodate the unit. The Sunheat with fan requires a minimum of 280mm.

Make sure this heater is located outside the electrical exclusion zones. Refer to I.E.E. regulation for clarification. This product does not have an IP rating and is not suitable for installation directly above a shower.

2. Cut out hole:

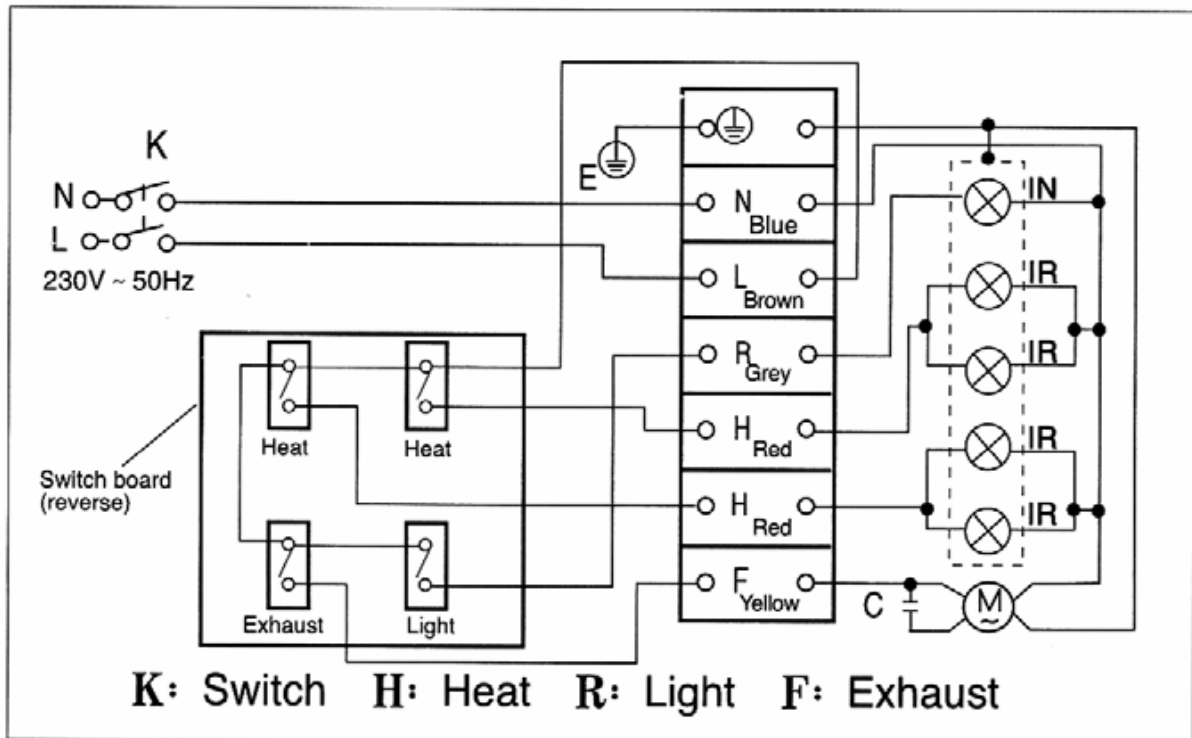
A hole needs to be cut in the plasterboard / ceiling material of 300mm X 300mm square (for the four lamp heater). 340mm x 200mm (for the 2 lamp heater) please use the template provided. Make sure any beams, wiring and pipes etc are avoided.

3. Connect power:

IMPORTANT! – This product should only be connected by a qualified electrician.

Please refer to wiring diagram below. There is a certain amount of flexibility in the way this product can be wired. For example, the light can be linked to the fan connection so they operate together if required.

Depending on how you wish to wire this product, will depend on how many wires you need to take to the switch (you can use any 3 / 4 gang switch as long as each switch is rated to at least 5 amps).



Cont...

This product is factory wired with two separate sets of two heat lamps (rated at 275 watts per lamp), one connector for the light (rated at 60 watts), one connector for the fan if applicable (rated at 35 watts).

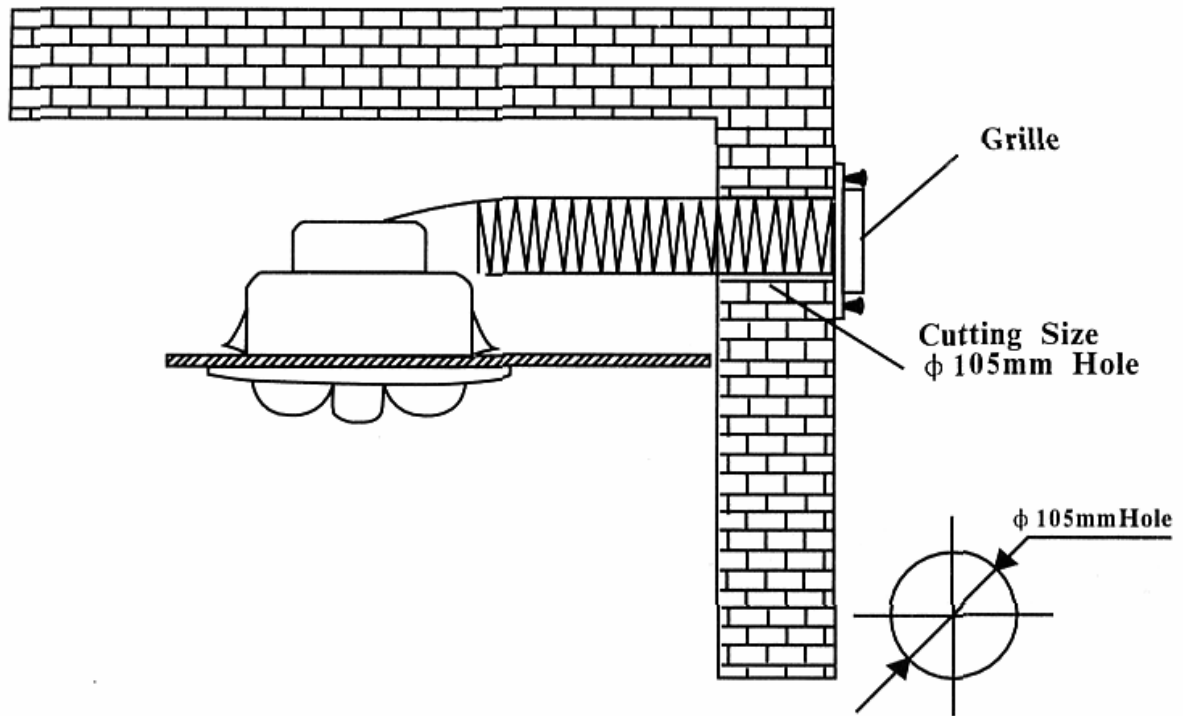
This product is rated at 1195 watts (four lamp heater) so will require a 13 amp fuse spur supply. The 2 lamp heater is rated at 645 watts and will require a 5 amp fuse spur supply.

Care needs to be taken with the location of the operating switch for this product, as it needs to be outside the electrical exclusion zones. (Please refer to I.E.E. regulations)

4. Connect Air extraction duct:

If unit is fitted with extraction fan, the air outlet duct (supplied) needs to be fed outside the building via 105mm diameter hole as per the diagram below. A grill is supplied.

5.



5. Test:

When all connections have been made, ensure area around unit is clear (in roof space). Test the unit works correctly.

TECHNICAL INFORMATION **SUNHEAT BATHROOM HEATER WITH EXTRACTOR FAN**

Description

The SUNHEAT bathroom heater incorporates heat, light and an exhaust fan in a complete sealed unit. Designed to be ceiling mounted and unobtrusive, this bathroom heater is the perfect modern solution to warmth and light in your bathroom.



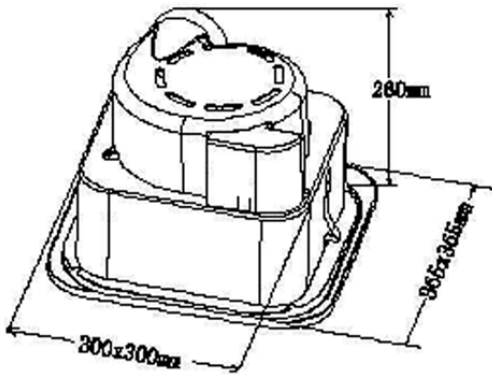
Features

- Housing:** Constructed from steel plate.
- Fascia:** High quality plastic resistant to colour change and signs of wear. Available in two finishes, white and silver.
- Heating:** Four long life 230v – 275w infrared bulbs included.
Dual power setting 550w/1100w.
Quickly warms the bathroom with no pre heating required.
- Lighting:** Uses E27/R80/60w light bulb for illumination.
- Extraction:** Motor – 230v 50hz 35w
The powerful quiet motor efficiently removes steam.

This product has been CE certified.

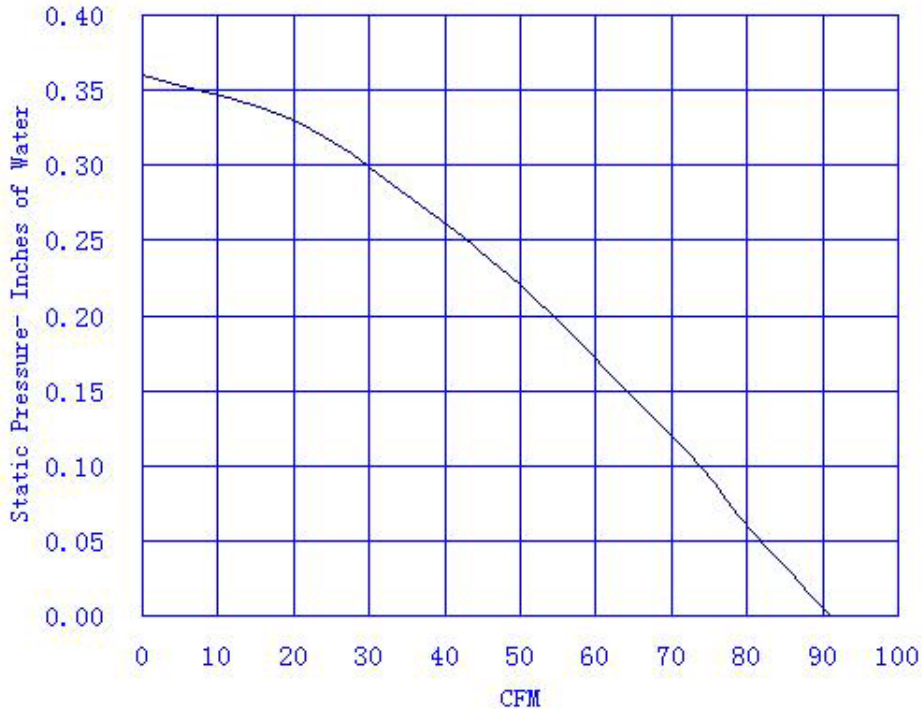
Dimensions

SUN HEAT bathroom heater



Performance

- □ Rated Voltage: 230v
- □ Rated Frequency: 50hz
- □ Input Power: 1195w
- □ Air Volume: 90CFM



Noise: 1.2 sones
Motor Speed: 1150rpm
Duct Diameter: 100mm
Mounting Opening: 300mm x 300mm
Fascia Size: 365mm x 365mm