

STEP BY STEP INSTRUCTIONS FOR FITTING THE SUNHEAT BATHROOM HEATER

1. Find Suitable location:

Locate the Sunheat in a central location in the bathroom to gain the widest spread of heat. Make sure there is enough clearance height in the roof space to accommodate the unit. The Sunheat with fan requires a minimum of 280mm and the Sunheat without fan requires a minimum space of 200mm.

Make sure this heater is located outside the electrical exclusion zones. Refer to I.E.E. regulation for clarification. This product does not have an IP rating and is not suitable for installation directly above a shower.

2. Cut out hole:

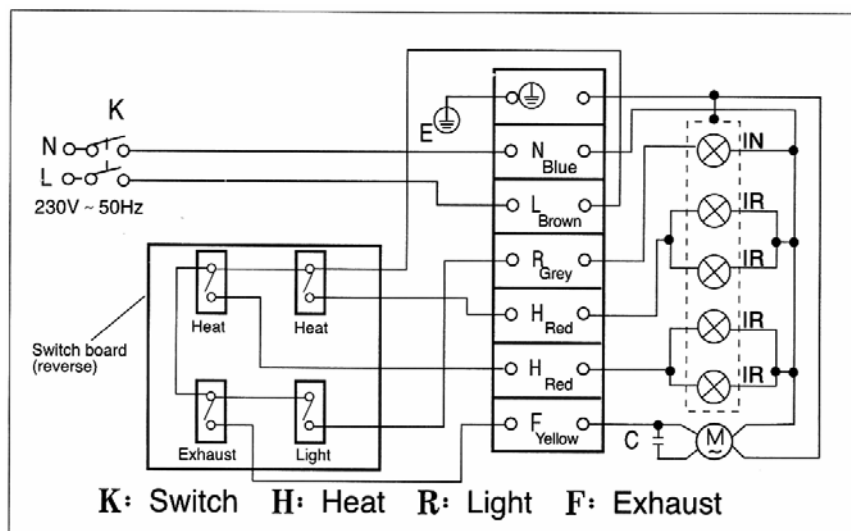
A hole needs to be cut in the plasterboard / ceiling material of 300mm square, please use the template provided. Make sure any beams, wiring and pipes etc are avoided.

3. Connect power – Switch or Remote:

IMPORTANT! – This product should only be connected by a qualified electrician.

Please refer to wiring diagram below. There is a certain amount of flexibility in the way this product can be wired. For example, the light can be linked to the fan connection so they operate together if required.

Depending on how you wish to wire this product, will depend on how many wires you need to take to the switch or remote control box. (Optional, please see separate instructions)



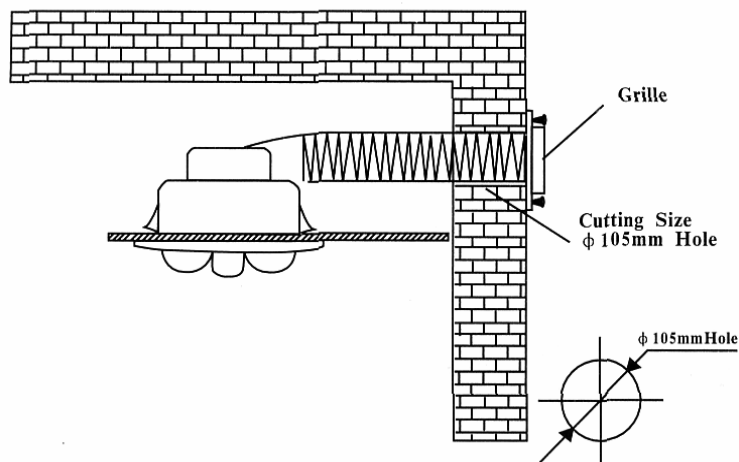
Cont...

This product is factory wired with two separate sets of two heat lamps (rated at 275 watts per lamp), one connector for the light (rated at 60 watts), one connector for the fan if applicable (rated at 35 watts).

This product is rated at 1195 watts so will require a 13 amp fuse spur supply. Care needs to be taken with the location of the operating switch for this product, as it needs to be outside the electrical exclusion zones. (Please refer to I.E.E. regulations)

4. Connect Air extraction duct – Applicable models only:

If unit is fitted with extraction fan, the air outlet duct (supplied) needs to be fed outside the building via 105mm diameter hole as per the diagram below. A grill is supplied.



5. Test:

When all connections have been made, ensure area around unit is clear (in roof space). Test the unit works correctly.

SUNHEAT REMOTE CONTROL INSTALLATION INSTRUCTIONS

Thank you for selecting a Sunheat bathroom heater. Please read through these instructions before installation and operation of the remote control and heater.

CAUTION !!!

- All wiring must be performed by a qualified Electrician.
- Make sure power is off during installation.
- Do not turn the power on/off constantly when in use.
- Switch off power to heater when not in use for long periods of time.
- Keep remote control out of water, if splashed wipe dry immediately.
- Load for this device must not exceed 1200 watts.

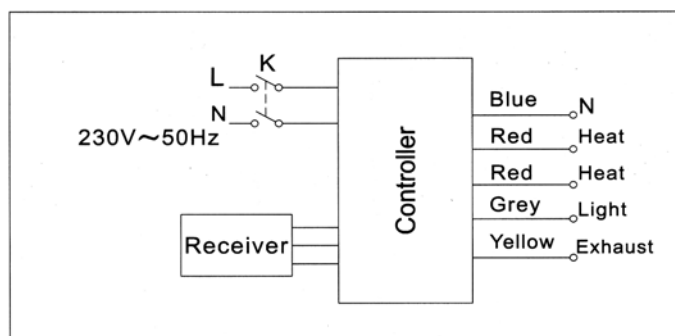
Installation

1. Fixing the infrared ray receiver.

- Remove cover of control box and unplug the lead for the receiver.
- Locate position of receiver in the bathroom ceiling, making sure there is no beam or other obstruction above.
- Drill a 13mm hole in the centre of the position and thread the lead through the hole, secure the receiver in position using the washer and M12 nut supplied.
- Secure the control box in the ceiling recess leaving good air gap around box.
- Plug the receiver into the control box and replace the lid.

2. Wiring.

- Connect a 5 amp switched fused supply to the remote control box.
- Wire a separate earth connection to the Sun Heat bathroom heater (the remote control box does not require an earth connection).
- With cover of control box removed check colour configuration of wiring is as diagram below
- Connect the 5 core flexible cable from the control box as illustrated in the diagram below to the Sunheat. (Remember to connect separate earth connection to the Sun Heat bathroom heater.)



SUNHEAT REMOTE CONTROL INSTRUCTIONS

Operation

1. Remote control

You can control all functions on your Sunheat using the remote controller. Before operation insert the supplied lithium battery.

Please keep the remote control dry at all times.

2. Functions

A) Power - When the system is off a red light will show in the receiver, by pressing the **Power** button the system will be set to stand by and the red light will flash.

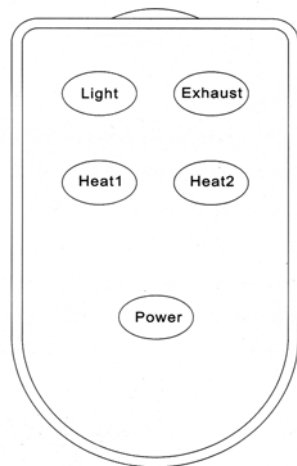
B) Heat – From stand by press **Heat1** to turn on two heat lamps and then **Heat2** for all four heating lamps.

Please note. Extraction turns on automatically once the **Heat1** and **Heat2** are switched off and turns off 15 minutes later.

C) Exhaust – From stand by press **Exhaust** to switch on extraction fan on and press a second time to switch off.

D) Light – From stand by press **Light** to switch on the light and press a second time to switch off.

Please note. The light function only works when the heat lamps are off, if you switch the heat lamps on while the light is on, the light will automatically switch off.



Remote Control

TECHNICAL INFORMATION

SUNHEAT BATHROOM HEATER WITH EXTRACTOR FAN

Description

The SUNHEAT bathroom heater incorporates heat, light and an exhaust fan in a complete sealed unit. Designed to be ceiling mounted and unobtrusive, this bathroom heater is the perfect modern solution to warmth and light in your bathroom.



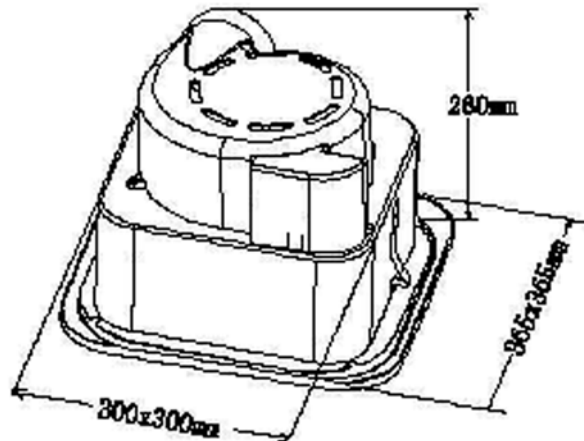
Features

- Housing:** Constructed from steel plate.
- Fascia:** High quality plastic resistant to colour change and signs of wear.
Available in two finishes, white and silver.
- Heating:** Four long life 230v – 275w infrared bulbs included.
Dual power setting 550w/1100w.
Quickly warms the bathroom with no pre heating required.
- Lighting:** Uses E27/R80/60w light bulb for illumination.
- Extraction:** Motor – 230v 50hz 35w
The powerful quiet motor efficiently removes steam.
- Switch:** Four button switch or remote controller included

This product has been CE certified.

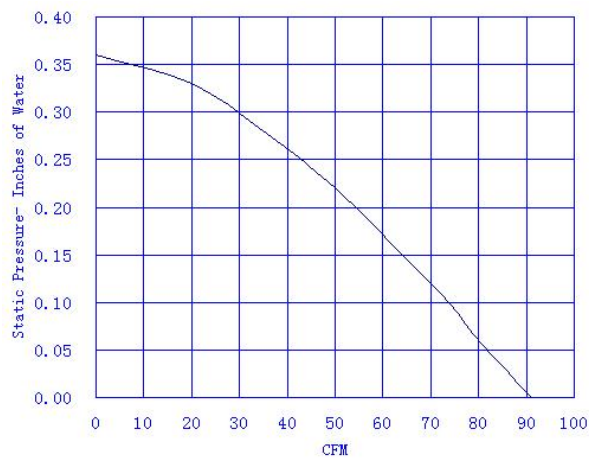
Dimensions

SUN HEAT bathroom heater



Performance

- Rated Voltage: 230v
- Rated Frequency: 50hz
- Input Power: 1195w
- Air Volume: 90CFM



- Noise: 1.2 sones
- Motor speed: 1150rpm
- Duct Diameter: 100mm
- Mounting Opening: 300mm x 300mm
- Fascia Size: 365mm x 365mm

TECHNICAL INFORMATION **SUNHEAT BATHROOM HEATER**

Description

The SUNHEAT bathroom heater incorporates heat and light in a complete sealed unit. Designed to be ceiling mounted and unobtrusive, this bathroom heater is the perfect modern solution to warmth and light in your bathroom.



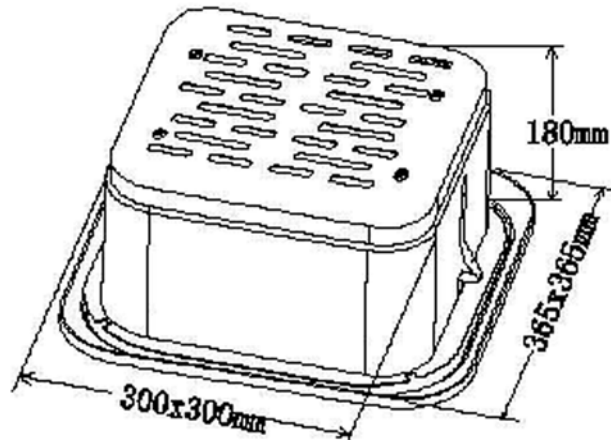
Features

- Housing: Constructed from steel plate.
- Fascia: High quality plastic resistant to colour change and signs of wear.
Available in two finishes, white and silver.
- Heating: Four long life 230v – 275w inferred bulbs included.
Dual power setting 550w/1100w.
Quickly warms the bathroom with no pre heating required.
- Lighting: Uses E27/R80/60w light bulb for illumination.
- Switch: Four button switch or remote controller included

This product has been CE certified.

Dimensions

SUN HEAT bathroom heater



Performance

- Rated Voltage: 230v
- Rated Frequency: 50hz
- Input Power: 1160w
- Mounting Opening: 300mm x 300mm
- Fascia Size: 365mm x 365mm