

Product selected: CMI-T 35W/WDL UVS

CMI lamps are a new family of compact metal halide lamps incorporating a ceramic discharge arc tube which ensures improved performance, colour uniformity and stable colour throughout lamp life.

Applications

- Indoor lighting: shop wall, floor and window displays, offices, hotel lobbies, etc.
- Outdoor lighting: decorative architectural and accent lighting

Features

- Superior colour rendering
- Colour stability and uniformity
- High luminous efficacy
- UV stop
- Retrofit for quartz equivalent types

Directions for use

- External ignitor only
- Only use in luminaire fitted with a protective cover glass

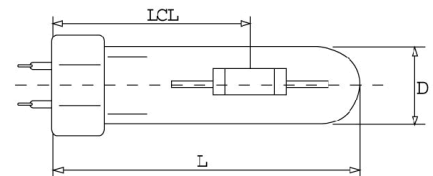
Product Attributes

| | |
|-------------------------------|-------------------|
| Item description | CMI-T 35W/WDL UVS |
| Ordering Code | 0020300 |
| EAN code | 5410288203003 |
| Packing Quantity | 12 |
| Wattage (W) | 39 |
| Voltage (V) | 95 |
| Cap | G12 |
| Max. Over. Length (mm) | 90 |
| Diameter (mm) | 20 |
| Light output (lm) | 3400 |
| Current (A) | 0.53 |
| Bulb finish | clear |
| Colour Temp (K) | 3000 |

Product Image

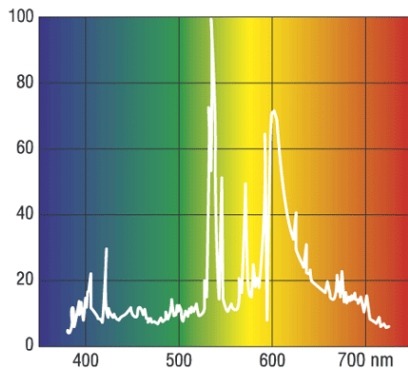


Line Drawing



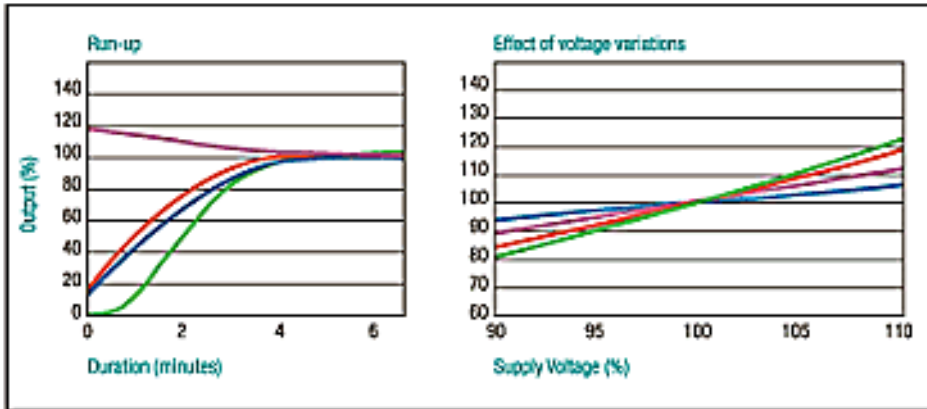
Burning Position

Spectral Diagram

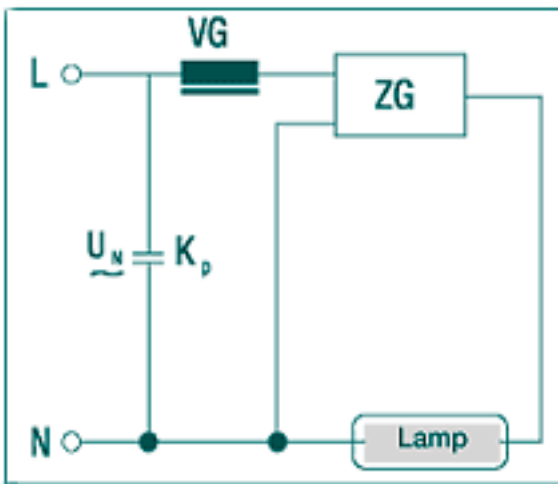


Run-up Characteristics

Ceramic Metal Halide



Circuit Diagram



- L Live conductor L₁, L₂, L₃
- N Neutral conductor
- U_N power supply voltage 230V~ (400V~ for HSI-T 2000V)
- VG ballast
- K_p lead capacitor
- ZG start-up system
- K_z start-up capacitor
- ST stray field transformer
- CWA constant wattage autotransformer