

**Product selected: CMI-TC 35W/WDL UVS**

CMI lamps are a new family of compact metal halide lamps incorporating a ceramic discharge arc tube which ensures improved performance, colour uniformity and stable colour throughout lamp life.

**Applications**

- Indoor lighting: shop wall, floor and window displays, offices, hotel lobbies, etc.
- Outdoor lighting: decorative architectural and accent lighting

**Features**

- Superior colour rendering
- Colour stability and uniformity
- High luminous efficacy
- UV stop

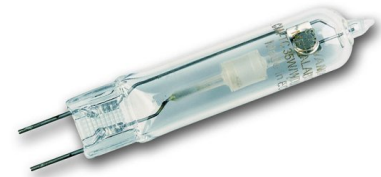
**Directions for use**

- External ignitor only
- Only use in luminaire fitted with a protective cover glass

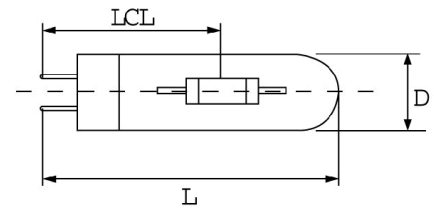
**Product Attributes**

Item description	CMI-TC 35W/WDL UVS
Ordering Code	0020303
EAN code	5410288203034
Packing Quantity	12
Wattage (W)	39
Voltage (V)	90
Cap	G8.5
Max. Over. Length (mm)	85
Diameter (mm)	17
Light output (lm)	3400
Current (A)	0.53
Bulb finish	clear
Colour Temp (K)	3000

**Product Image**

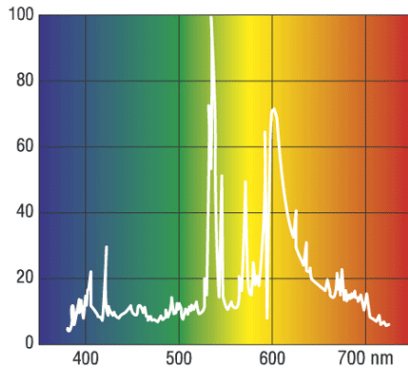


**Line Drawing**



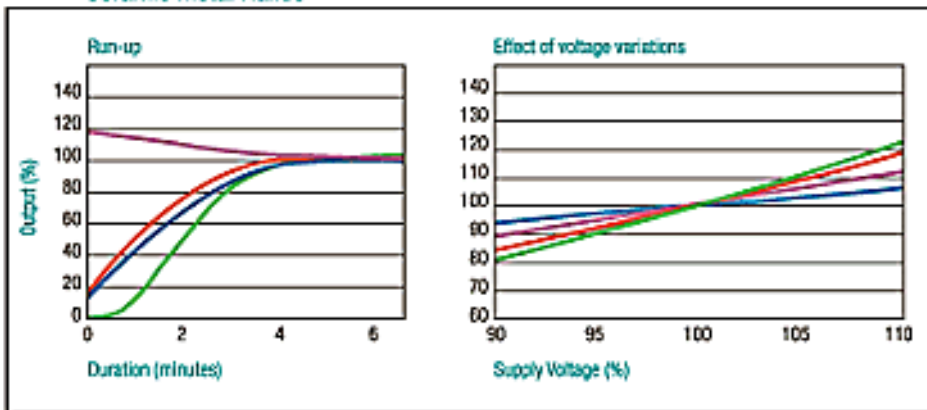
**Burning Position**

**Spectral Diagram**



## Run-up Characteristics

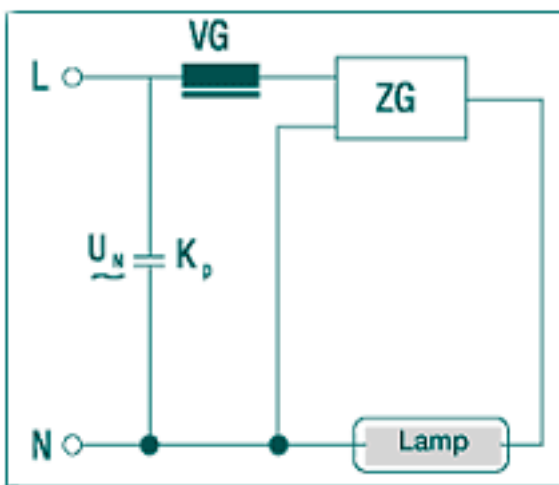
### Ceramic Metal Halide



Re-start time when hot  
 TD versions: immediate with appropriate start up system  
 T, TC versions: up to 10 minutes

■ Lamp Voltage  
 ■ Lamp Current  
 ■ Lamp Power  
 ■ Luminous Flux

## Circuit Diagram



L Live conductor L<sub>1</sub>, L<sub>2</sub>, L<sub>3</sub>  
 N Neutral conductor  
 U<sub>N</sub> power supply voltage 230V~  
 (400V~ for HSI-T 2000V)  
 VG ballast  
 K<sub>p</sub> lead capacitor  
 ZG start-up system  
 K<sub>z</sub> start-up capacitor  
 ST stray field transformer  
 CWA constant wattage autotransformer