

Product selected: CMI-TD 70W/NDL UVS

CMI lamps are a new family of compact metal halide lamps incorporating a ceramic discharge arc tube which ensures improved performance, colour uniformity and stable colour throughout lamp life.

Applications

- Indoor lighting: shop wall, floor and window displays, offices, hotel lobbies, etc.
- Outdoor lighting: decorative architectural and accent lighting

Features

- Superior colour rendering
- Colour stability and uniformity
- High luminous efficacy
- UV stop
- Retrofit for quartz equivalent types

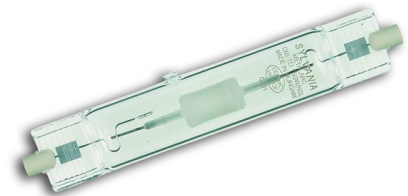
Directions for use

- External ignitor only
- Only use in luminaire fitted with a protective cover glass

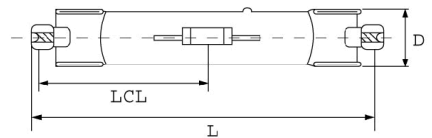
Product Attributes

| | |
|------------------------|--------------------|
| Item description | CMI-TD 70W/NDL UVS |
| Ordering Code | 0020308 |
| EAN code | 5410288203089 |
| Packing Quantity | 12 |
| Wattage (W) | 72 |
| Voltage (V) | 95 |
| Cap | RX7s |
| Max. Over. Length (mm) | 117.6 |
| Diameter (mm) | 22 |
| Light output (lm) | 6200 |
| Current (A) | 0.98 |
| Bulb finish | clear |
| Colour Temp (K) | 4200 |

Product Image

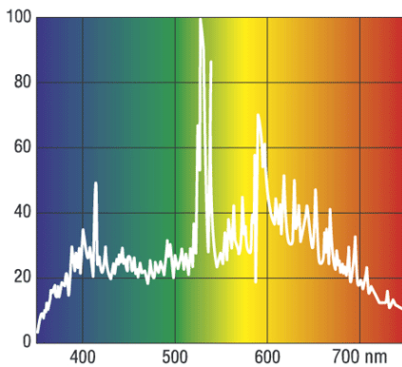


Line Drawing



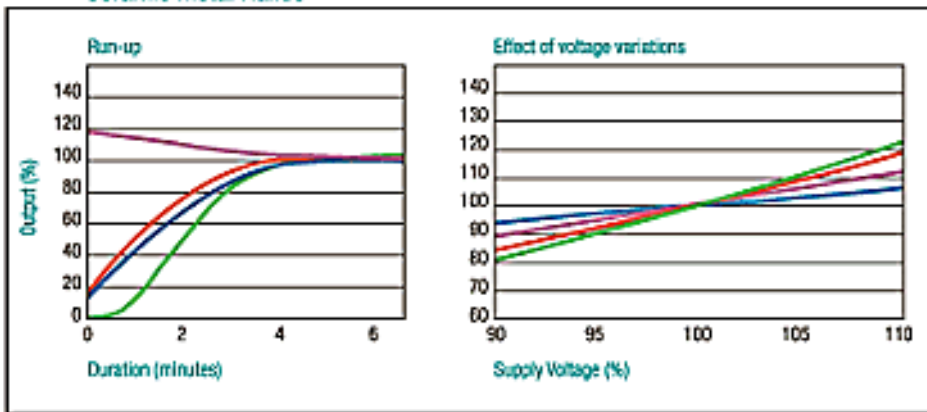
Burning Position

Spectral Diagram



Run-up Characteristics

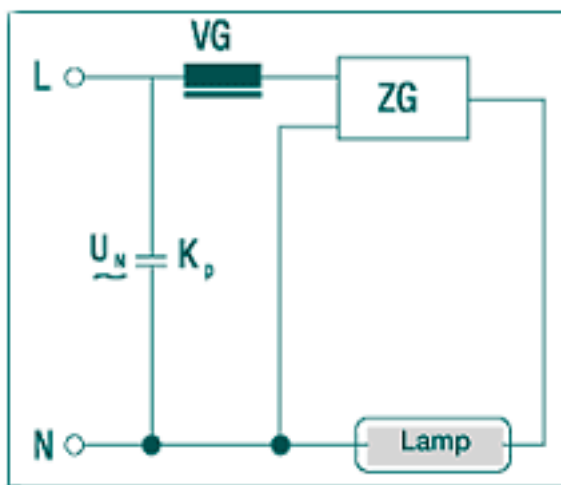
Ceramic Metal Halide



Re-start time when hot
 TD versions: immediate with appropriate start up system
 T, TC versions: up to 10 minutes

■ Lamp Voltage
 ■ Lamp Current
 ■ Lamp Power
 ■ Luminous Flux

Circuit Diagram



L Live conductor L₁, L₂, L₃
 N Neutral conductor
 U_N power supply voltage 230V~
 (400V~ for HSI-T 2000V)
 VG ballast
 K_p lead capacitor
 ZG start-up system
 K_z start-up capacitor
 ST stray field transformer
 CWA constant wattage autotransformer