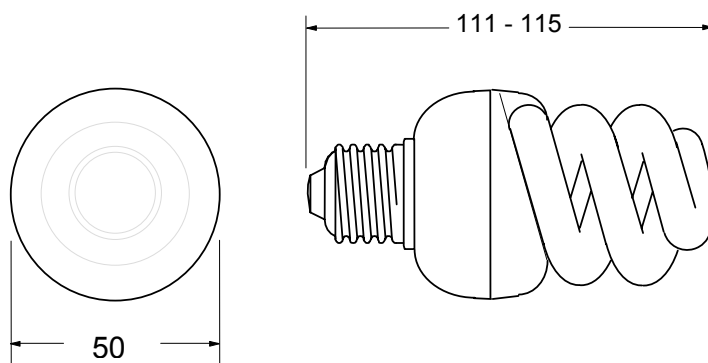




**DIMENSIONS (mm)**



Cap Type: E27 – IEC-7004-21

**ELECTRICAL DATA<sup>1</sup>**

		<u>Nominal Value</u>	<u>Min.</u>	<u>Max.</u>
Lamp rated wattage	(W) :	15		16.5
Lamp operating voltage	ac 50/60 Hz (rms) (V) :	220-240		
Lamp current	ac 50/60 Hz (rms) (mA) :	120		

**OPERATING CONDITIONS:**

		<u>Nominal Value</u>	<u>Min.</u>	<u>Max.</u>
Cap Rim Temperature	(°C) :			80
Lamp Ambient Temperature	(°C) :	25	0	40
Starting Time at 25°C	(s) :	2		
Operating Position	:	Unrestricted		
Weight	(g) :	80		

**LAMP LIFE<sup>2</sup>**

Average life (IEC Test Cycle) (h) : 6000

<u>PHOTOMETRIC DATA:</u>	colour no.	LuminousFlux <sup>1</sup> nominal value (lm)	CRI (Class)	Colour Temp. (K)	ILCOS Code	Energy Efficiency Class
	827	850	1b	2700		A

**ATTENTION:**

Lamps comply with EN 60968 (Safety Requirements), EN 60969 and EN 50285 (Performance Requirements) and CE Regulations.

<sup>1</sup> Measured according to EN 60 969, at 50 Hz, lamp aged 100h.

<sup>2</sup> Life test according to EN 60 969.

Issued by : SLI SHIPLEY	<b>DATA</b>	Number : <b>47007</b>
Date : 31.10.2005		Supersedes :
Revision date :		Page : 1 of 1

SLI reserves the right to change data and specifications without notice.  
Data for guidance only.