


## Installation and Wiring Instructions for Popular Pack Mk15

### OPERATING CONDITIONS

This luminaire is suitable for mounting direct onto any non-combustible surface. It is not suitable for direct mounting on normally flammable surfaces eg. chipboard, timber, unless an  mark is displayed on the label. The luminaire is designed for use in a maximum ambient temperature of 25°C., and is rated IP20.

**IMPORTANT:-** Disconnect supply before installing, servicing or maintaining the luminaire.

### SUSPENSION METHODS (See illustrations overleaf).

1. Luminaires can be direct fix ceiling mounted, BESA box mounted or rod/chain suspended. A plate (Cat. No. PP4619) is available to mask a ceiling hole up to Ø79mm.
2. Direct ceiling suspension is via the centre slot with wood screws, when BESA box mounted, both screws should be used to ensure luminaire sits square onto the ceiling.
3. For end conduit entry, fix bracket (Cat. No. PP4620MK15), remove knockout in end cap and secure conduit to bracket.
4. When mounting end to end, leave a minimum clearance between adjacent luminaires of 50mm for wire guard/diffuser luminaires.

### INSTALLATION PROCEDURES (See illustrations overleaf).

1. Installation should be carried out by a qualified electrician in accordance with the local wiring regulations. Ensure that the rated voltage and frequency of the luminaire, as indicated on the ballast label, is compatible with the mains supply
2. Remove clip-on cover plate.
3. Fit lampholders into end caps. NOTE. Twin luminaires have dual lampholder fixing positions.
4. Connect power supply to mains terminal block, ensure that correct polarity is observed.

### WARNING:- LUMINAIRE MUST BE EARTHED

5. Replace clip-on cover plate.
6. Insert lamp(s) and rotate through 90°.
7. Re-connect power supply and test.

### SAFETY NOTES

1. Care should be taken with regard to mounting on conduit boxes of plastic materials. Particular attention should be paid to the temperature limits imposed by the material of the mounting surface.
2. Luminaire must not be covered with heat insulation material or any material which may prevent proper heat dissipation.
3. Ballast surface temperature is within the tolerance of BS2818 but could damage ordinary cable. Use accessory Cat. No. PP4624MK15 when wiring passes the ballast or use cable to BS6500:1990-Table 10. Some MI cables need surge protection - seek advice from cable manufacturers when appropriate.

**IF IN DOUBT ABOUT INSTALLATION CONSULT A QUALIFIED ELECTRICIAN.**

### VIVATRONIC CIRCUITS

Vivatronic luminaires incorporate electronic devices, and should be isolated before testing the insulation resistance of the installation. Test voltages above 500V d.c. may damage the electronic components.

### ELECTRONIC BALLASTS

For satisfactory radio frequency interference suppression, it is important that the supply cables within the luminaire, do not run adjacent to leads connected to the ballast output terminals. In common with other electronic products, high frequency electronic ballasts, are exempt from insulation resistance tests described in the 16th Edition of the IEE wiring Regulations. Section 713-04 states that... "such devices shall be isolated so that they are not damaged by the test voltage." If such tests are inadvertently carried out on the wiring of the installation, the ballasts have been designed such that no damage should occur so long as:-

- a) live and neutral are shorted together during the test, and
- b) the test voltage is limited to 500V d.c.

When such a test is carried out erroneous readings may occur due to radio frequency interference capacitors connected from live and neutral to earth.

### Compliance with EN60598

These luminaires are designed to comply with EN60598.2-1 (1989)

Luminaires for which Safety Mark approval has been granted by the British Standards Institution are identified by a suitable label on the product.

### SERVICING

Failed lamps should be replaced promptly by lamps of the same type. Disposal of old lamps should be carried out in accordance with the instructions of the lamp manufacturer.

Allow luminaire to cool before opening for maintenance.

Repairs should be carried out by a qualified electrician using THORN approved parts.

Cleaning should be carried out at regular intervals by wiping with a damp cloth. (ensure luminaire is switched off)

### CHANGE OF SPECIFICATION

THORN Lighting Ltd. reserve the right to change specifications without prior notification or public announcement.

**COUNTRY OF ORIGIN** United Kingdom

### USERS OBLIGATIONS

Every care is taken by the company in the design and construction of its products to ensure that as far as is reasonably practicable, the products are safe and without risk to health when they are properly used. These products should not be modified as any modification may render the product unsafe. THORN Lighting Ltd will NOT accept responsibility for any modified product or any damage caused as a result of modifications carried out by a third party. The Health and Safety at Work Act, however, imposes upon the users of the Company's products an obligation to ensure that all personnel involved in the installation, handling, use or disposal of these products are acquainted with the information provided by the company and are made fully aware of any precautions that need to be taken.

### IMPORTANT NOTE TO INSTALLER

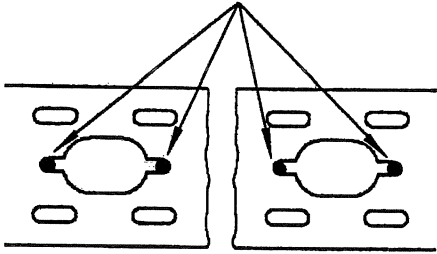
**THESE INSTRUCTIONS CONTAIN IMPORTANT SAFETY INFORMATION. PLEASE ENSURE THAT A COPY IS MADE AVAILABLE TO THE USER AND MAINTENANCE ENGINEER OF THESE PRODUCTS.**

**Super Popular Pack guarantee subject to conditions**

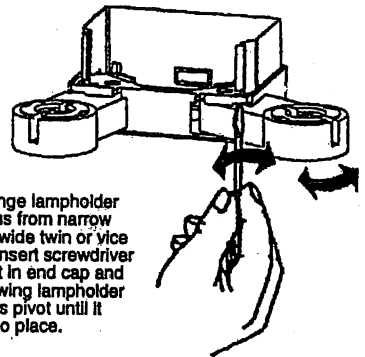
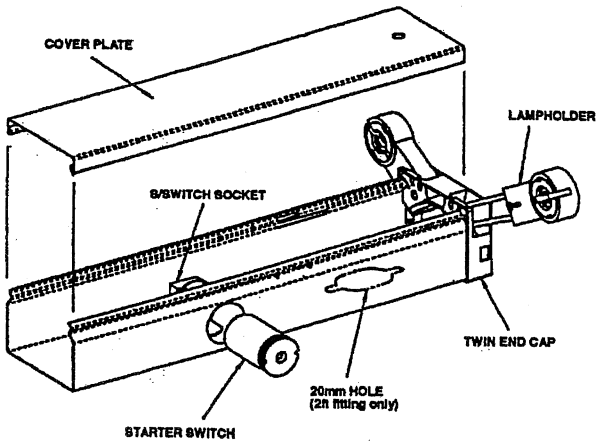
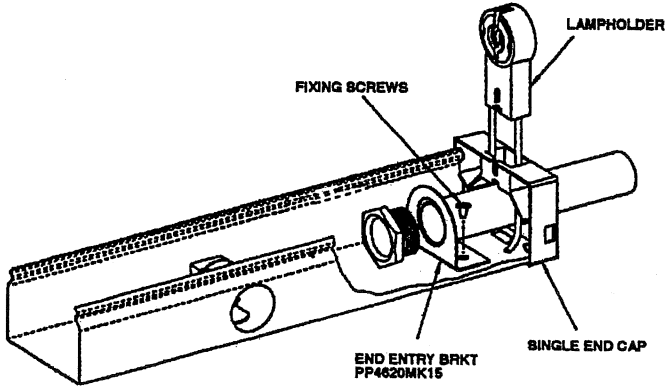
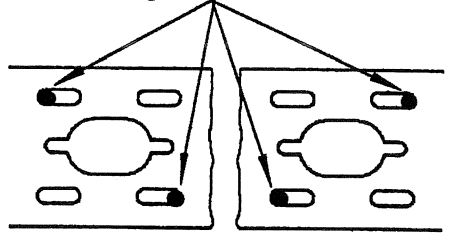
**available on request from your nearest Thorn sales office.**

Unless these instructions are followed correctly THORN Lighting Ltd will NOT accept any responsibility for any injury, damage or loss which may arise as a result of incorrect installation.

a) Surface mounting fixing holes



b) BESA box fixing holes



To change lampholder positions from narrower twin to wide twin or vice versa, insert screwdriver into slot in end cap and twist, swing lampholder about its pivot until it clips into place.