

Popular Range Battens

96229401 POPPACK BATTEN 1X70W T26 CP E3 LI640

G13	70W T26 G13	70W T26	EN 60598	EN 60598-2-22		IP 20	T _a 25			850°C
-----	-------------	---------	----------	---------------	--	-------	-------------------	--	--	-------

The only one called 'Pop Pack', the original fluorescent batten

Batten luminaire with integral emergency lighting facility for 1 x 70W T26 lamp. circuit with emergency circuit. steel - white stoved enamel.

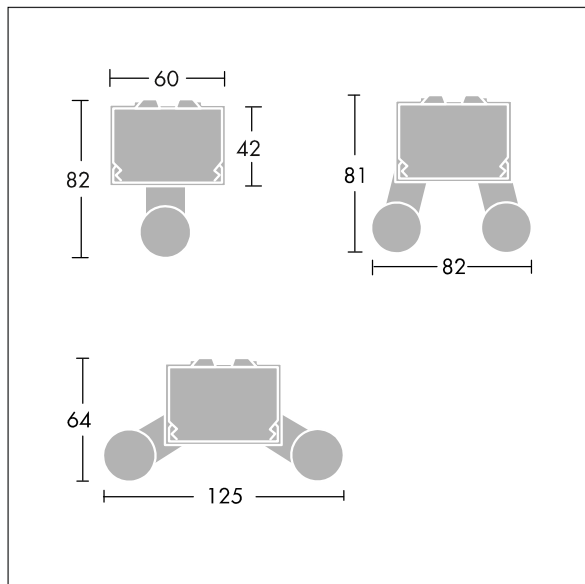
Dimensions : 1800 x 60 x 82 mm

Total power : 89 W

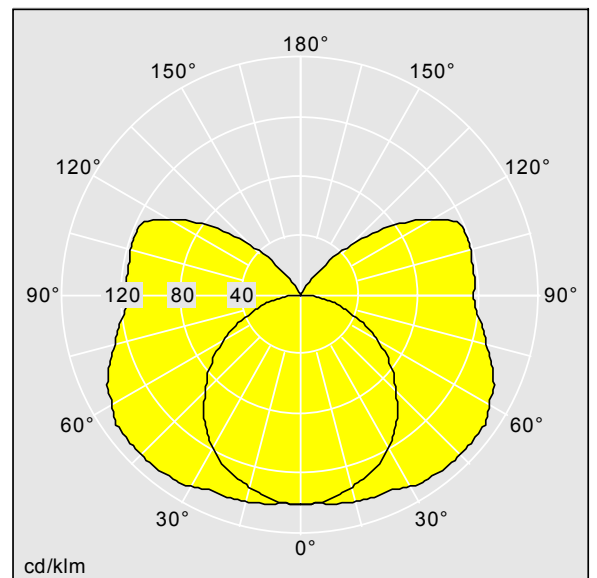
Weight: 4.85 kg



TLG_POPR_F_BS.jpg



TLG_POPR_M_LD1.wmf



TLG_SP_R0001178.ltd

Lamp position:STD - standard

Lamp:T26 70W

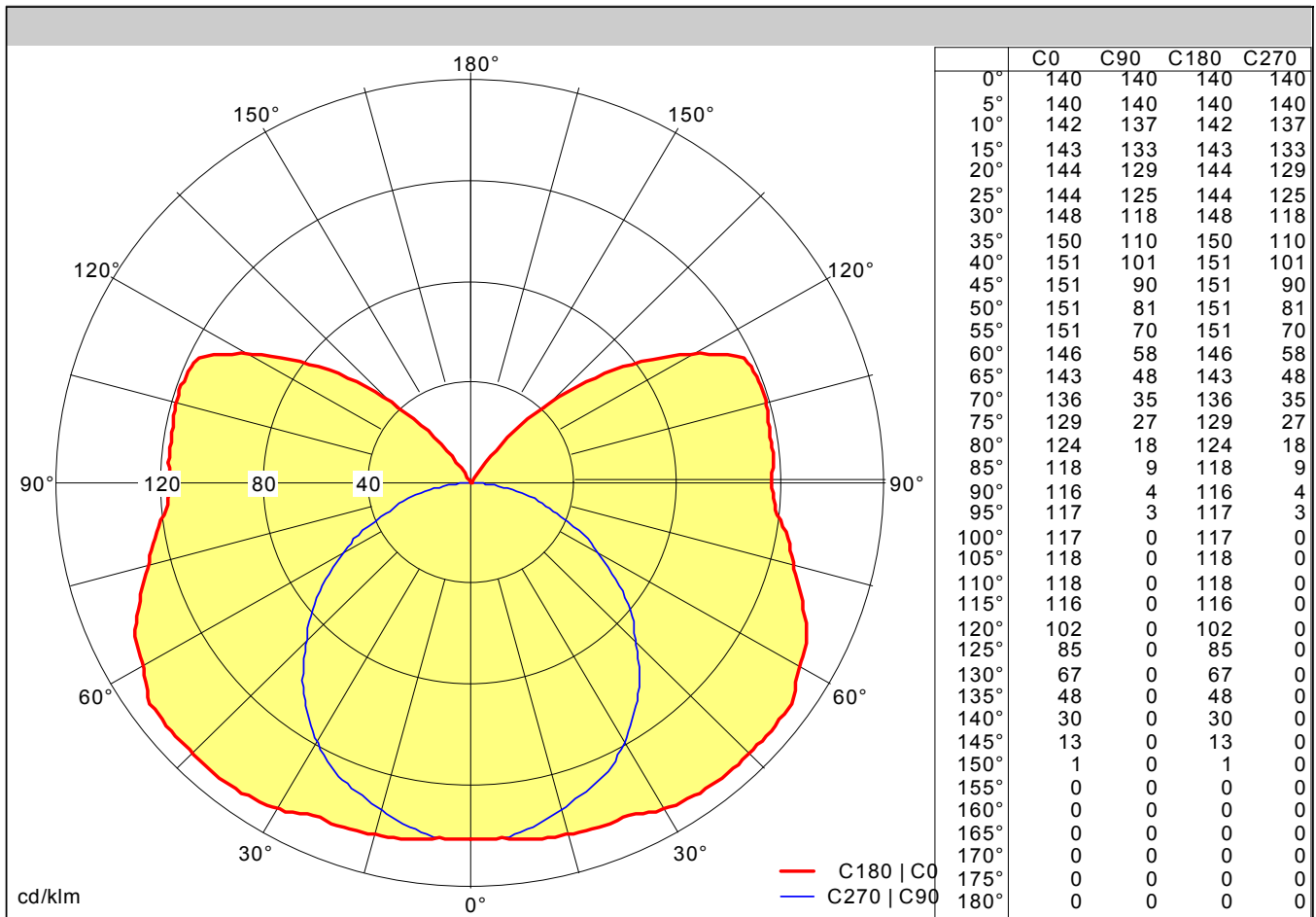
LOR: 0,93 ULOR: 0,26 DLOR: 0,67

Maintenance category:A

Popular Range Battens

THORN

96229401 POPPACK BATTEN 1X70W T26 CP E3 LI640



Light output ratio	
LOR	93 %
ULOR	26 %
DLOR	67 %
FFR	0.40 (28:72)
BLF	1.00

Glare Evaluation	
X = 4 H, Y = 8 H	S = 1.00 H
Reflection factors	70/50/20
UGR transversal	<28
UGR axial	<25

Classification	
LiTG	B21
LG7	
BZ	BZ6
UTE	0.67 H + 0.26 T
Flux Codes	210 396 549 667 932

Utilization Factors									
Room Reflectance Ceiling/Walls/Floor	Room Index								
	0.75	1.00	1.25	1.50	2.00	2.50	3.00	4.00	5.00
70 / 50 / 20	NA	50	56	60	67	72	75	79	83
70 / 30 / 20	NA	42	48	53	60	65	69	75	78
70 / 10 / 20	NA	36	42	47	55	60	64	70	74
50 / 50 / 20	NA	45	50	54	60	64	67	71	74
50 / 30 / 20	NA	38	44	48	54	59	62	67	70
50 / 10 / 20	NA	33	39	43	50	55	58	64	67
30 / 50 / 20	NA	40	45	48	53	57	60	63	65
30 / 30 / 20	NA	35	40	43	49	53	56	60	63
30 / 10 / 20	NA	31	36	40	45	49	53	57	60
0 / 0 / 0	NA	25	29	33	38	41	44	48	50

According to CIBSE Technical Memorandum No. 5 1980

SHR Nom =	1.75
SHR Max =	1.92
SHR Max TR =	2.65

Photometric data file: TLG_SP_R0001178.ldt