

Popular Range Battens

96229402 POPPACK BATTEN 2X36W T26 NC E3 LI640

G13	36W T26 G13	36W T26	EN 60598	EN 60598-2-22		IP 20	T _a 25			850°C
-----	-------------	---------	----------	---------------	--	-------	-------------------	--	--	-------

The only one called 'Pop Pack', the original fluorescent batten

Batten luminaire with integral emergency lighting facility for 2 x 36W T26 lamp. magnetic compensated (TLG high power factor - parallel capacitor) circuit with emergency circuit. - stoved enamel.

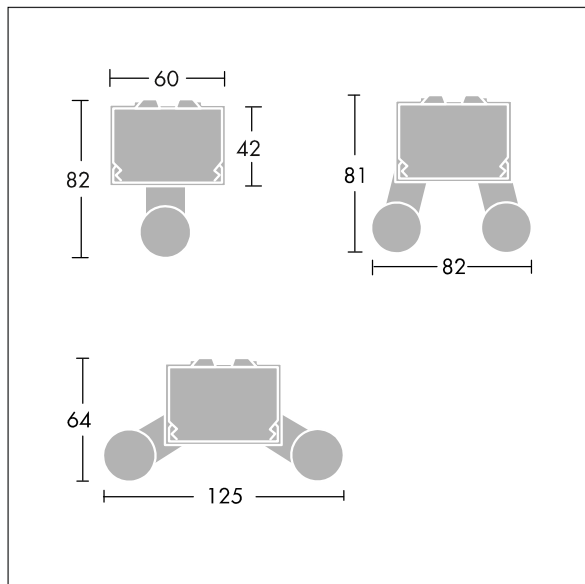
Dimensions : 1200 x 125 x 64 mm

Total power : 93 W

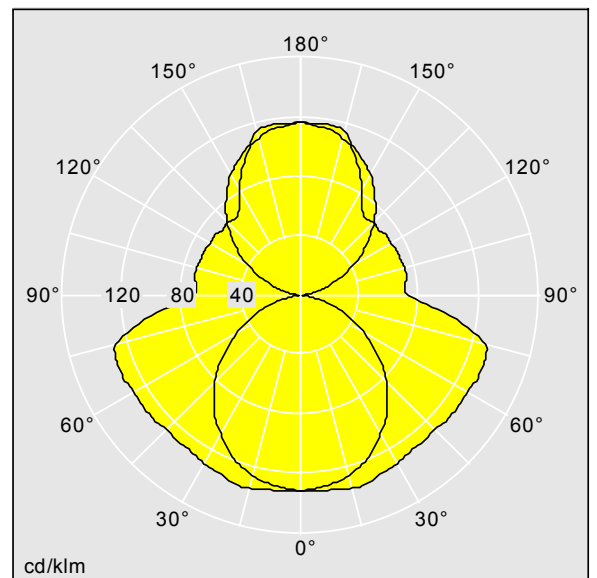
Weight: 4.85 kg



TLG_POPR_F_BTW.jpg



TLG_POPR_M_LD1.wmf



TLG_SP_R0001184.ltd

Lamp position:STD - standard

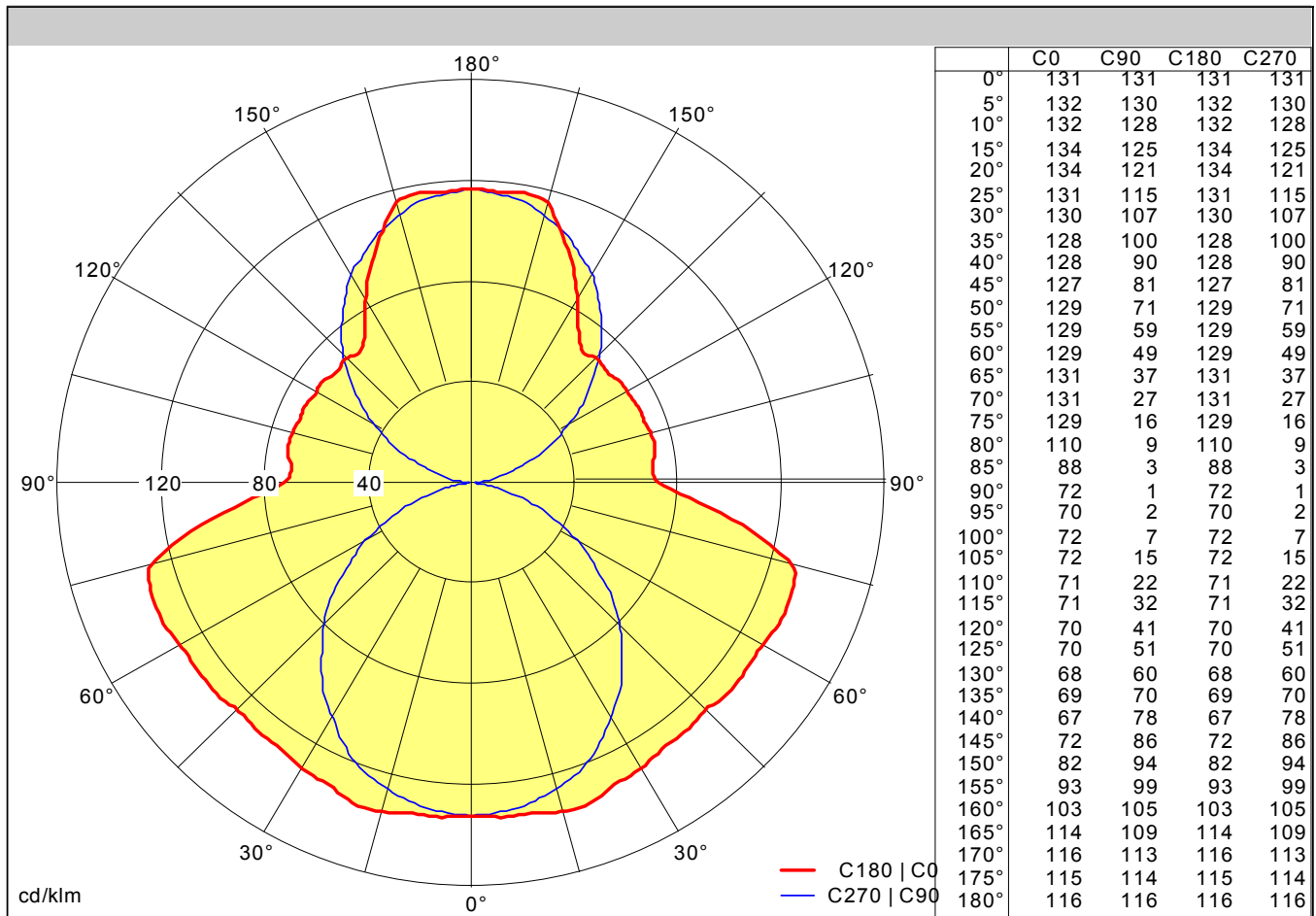
Lamp:T26 36W

LOR: 0,95 ULOR: 0,38 DLOR: 0,57

Maintenance category:A

Popular Range Battens

96229402 POPPACK BATTEN 2X36W T26 NC E3 LI640



Light output ratio	
LOR	95 %
ULOR	38 %
DLOR	57 %
FFR	0.66 (40:60)
BLF	1.00

Glare Evaluation	
X = 4 H, Y = 8 H	S = 1.00 H
Reflection factors	70/50/20
UGR transversal	<28
UGR axial	<22

Classification	
LiTG	B22
LG7	
BZ	BZ6
UTE	0.57 G + 0.38 T
Flux Codes	189 345 478 573 951

Utilization Factors									
Room Reflectance Ceiling/Walls/Floor	Room Index								
	0.75	1.00	1.25	1.50	2.00	2.50	3.00	4.00	5.00
70 / 50 / 20	NA	50	56	60	67	71	74	79	82
70 / 30 / 20	NA	42	48	53	60	65	69	74	78
70 / 10 / 20	NA	37	43	48	55	60	64	70	74
50 / 50 / 20	NA	43	48	52	58	62	65	69	71
50 / 30 / 20	NA	37	43	47	53	57	60	65	68
50 / 10 / 20	NA	33	38	42	49	53	57	62	65
30 / 50 / 20	NA	38	42	45	50	53	56	59	61
30 / 30 / 20	NA	33	37	41	46	49	52	56	59
30 / 10 / 20	NA	29	34	37	43	46	50	54	56
0 / 0 / 0	NA	23	26	29	33	36	38	41	44
According to CIBSE Technical Memorandum No. 5 1980						SHR Nom =	1.75		
						SHR Max =	1.83		
						SHR Max TR =	2.44		

Photometric data file: TLG_SP_R0001184.ldt