

## Popular Range Battens

### 96229403 POPPACK BATTEN 2X58W T26 CP E3 L1640

G13	58W T26 G13	58W T26	EN 60598	EN 60598-2-22		IP 20	T <sub>a</sub> 25			850°C
-----	-------------	---------	----------	---------------	--	-------	-------------------	--	--	-------

The only one called 'Pop Pack', the original fluorescent batten

Batten luminaire with integral emergency lighting facility for 2 x 58W T26 lamp. magnetic compensated (TLG high power factor - parallel capacitor) circuit with emergency circuit. - stoved enamel.

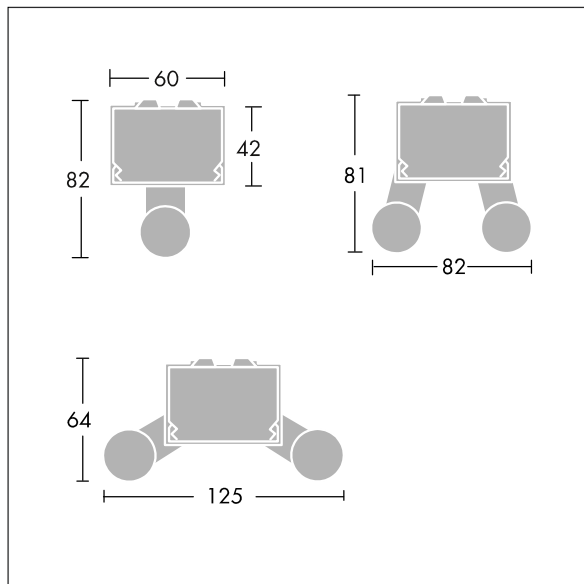
Dimensions : 1500 x 125 x 64 mm

Total power : 141 W

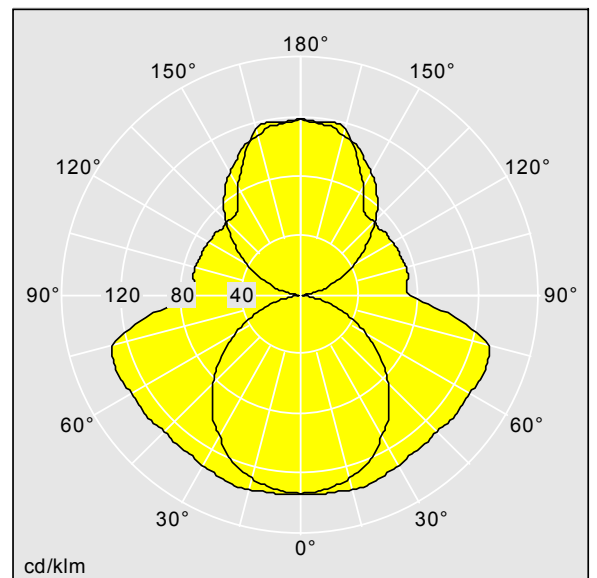
Weight: 6.25 kg



TLG\_POPR\_F\_BTW.jpg



TLG\_POPR\_M\_LD1.wmf



TLG\_SP\_R0021319.ltd

Lamp position:STD - standard

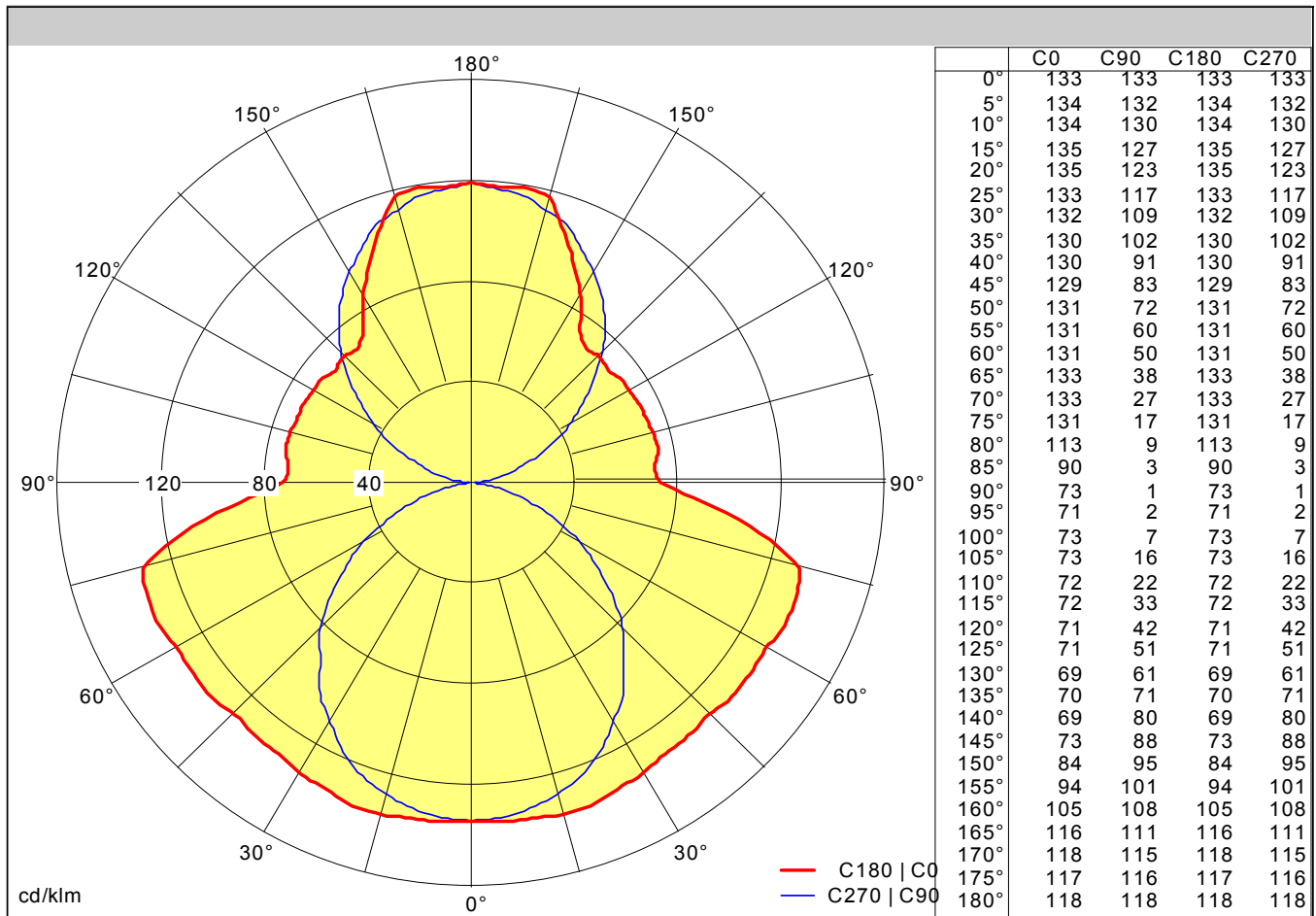
Lamp:T26 58W

LOR: 0,97 ULOR: 0,38 DLOR: 0,58

Maintenance category:A

# Popular Range Battens

## 96229403 POPPACK BATTEN 2X58W T26 CP E3 L1640



Light output ratio	
LOR	97 %
ULOR	38 %
DLOR	58 %
FFR	0.66 (40:60)
BLF	1.00

Glare Evaluation	
X = 4 H, Y = 8 H	S = 1.00 H
Reflection factors	70/50/20
UGR transversal	<25
UGR axial	<19

Classification	
LiTG	B22
LG7	
BZ	BZ6
UTE	0.58 G + 0.38 T
Flux Codes	192 350 485 582 966

Utilization Factors									
Room Reflectance Ceiling/Walls/Floor	Room Index								
	0.75	1.00	1.25	1.50	2.00	2.50	3.00	4.00	5.00
70 / 50 / 20	NA	50	56	61	68	72	76	80	83
70 / 30 / 20	NA	43	49	54	61	66	70	75	79
70 / 10 / 20	NA	37	43	48	56	61	65	71	75
50 / 50 / 20	NA	44	49	53	59	63	65	70	72
50 / 30 / 20	NA	38	43	47	54	58	61	66	69
50 / 10 / 20	NA	33	39	43	49	54	57	63	66
30 / 50 / 20	NA	38	42	46	51	54	57	60	62
30 / 30 / 20	NA	33	38	41	47	50	53	57	59
30 / 10 / 20	NA	30	34	38	43	47	50	54	57
0 / 0 / 0	NA	23	26	29	33	36	39	42	44

According to CIBSE Technical Memorandum No. 5 1980

SHR Nom =	1.75
SHR Max =	1.83
SHR Max TR =	2.44

Photometric data file: TLG\_SP\_R0021319.ldt