

96204640 DIFFUNDI 2X36W HF PC OP

G13	36W T26		IP20			CE	850 °C
-----	---------	--	------	--	--	----	--------

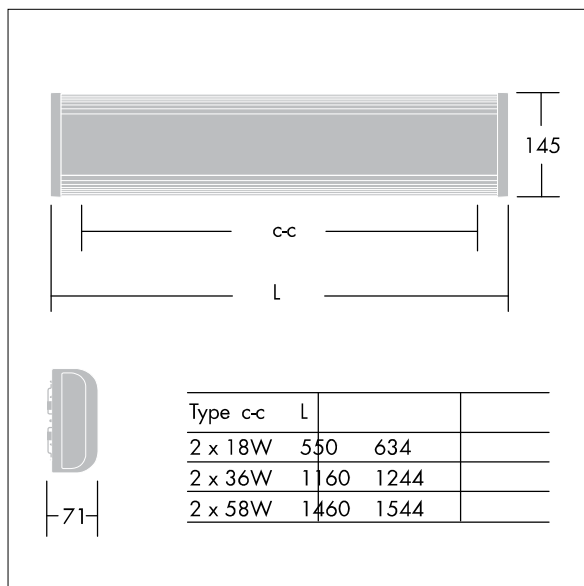
A slim OTC range of competitive T26 (T8) fluorescent luminaires with opal diffusers for surface mounting.

Competitive surface mounted luminaire for 2 x 36W T26 lamps with electronic - fixed output ballast. Body steel with white painted finish, opal polycarbonate diffuser and polycarbonate endcaps.

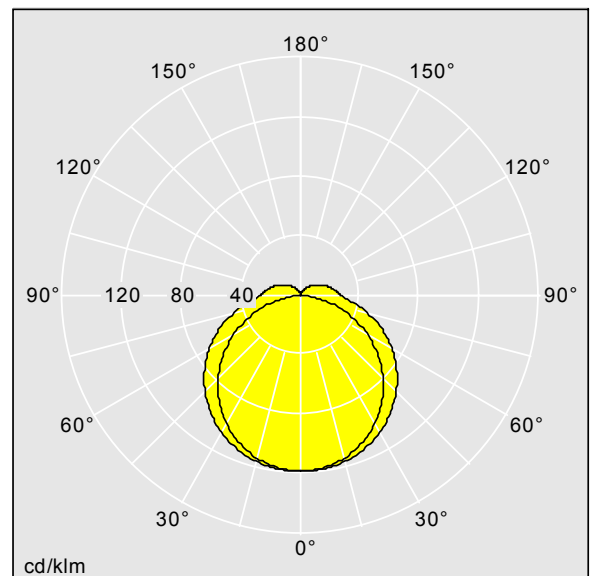
Dimensions : 1244 x 145 x 71 mm
 Total power : 80 W
 Weight: 2.3 kg



TLG_DFND_F_01.jpg



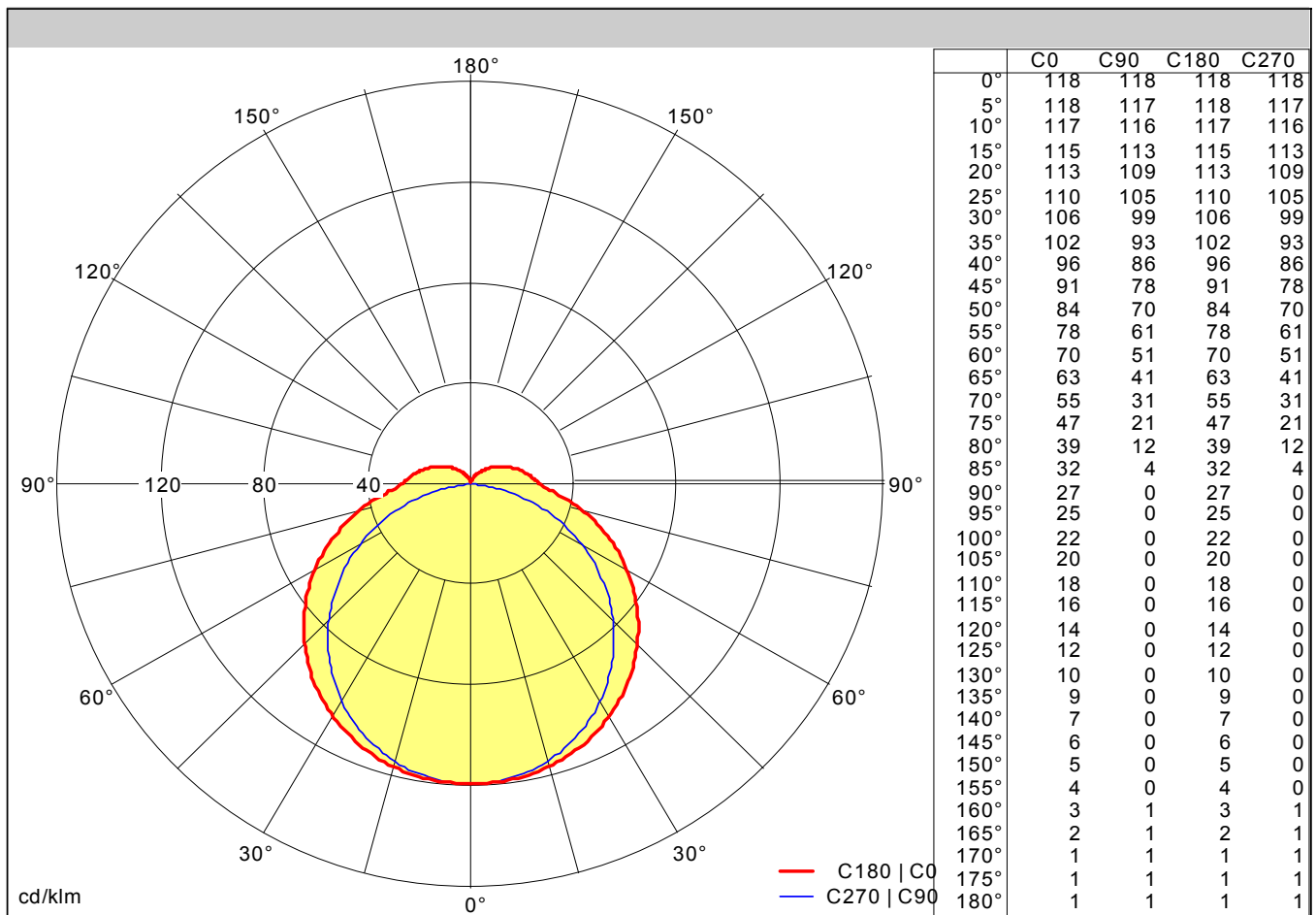
TLG_DFND_M_LD1.wmf



TLG_SW_I9772.ltd

Lamp position:STD - standard
 Lamp:T26 36W
 LOR: 0,44 ULOR: 0,05 DLOR: 0,39

96204640 DIFFUNDI 2X36W HF PC OP



Light output ratio	
LOR	44 %
ULOR	5 %
DLOR	39 %
FFR	0.13 (11:89)
BLF	1.00

Glare Evaluation	
X = 4 H, Y = 8 H	S = 1.00 H
Reflection factors	70/50/20
UGR transversal	<25
UGR axial	<22

Classification	
LiTG	B31
LG7	
BZ	BZ5
UTE	0.39 E + 0.05 T
Flux Codes	163 281 357 394 444

Utilization Factors									
Room Reflectance Ceiling/Walls/Floor	Room Index								
	0.75	1.00	1.25	1.50	2.00	2.50	3.00	4.00	5.00
70 / 50 / 20	24	27	30	33	36	38	40	42	43
70 / 30 / 20	20	24	27	29	33	35	37	40	41
70 / 10 / 20	18	21	24	27	30	33	35	38	40
50 / 50 / 20	22	26	29	31	34	36	37	39	40
50 / 30 / 20	19	23	26	28	31	33	35	37	39
50 / 10 / 20	17	20	24	26	29	32	33	36	37
30 / 50 / 20	21	24	27	29	32	33	35	37	38
30 / 30 / 20	19	22	25	27	30	32	33	35	37
30 / 10 / 20	17	20	23	25	28	30	32	34	35
0 / 0 / 0	15	18	21	23	26	28	29	31	32

According to CIBSE Technical Memorandum No. 5 1980

SHR Nom = 1.50
SHR Max = 1.70
SHR Max TR = 1.97

Photometric data file: TLG_SW_I9772.ltd