

Popular Range Battens

96229399 POPPACK BATTEN 1X36W T26 CP E3 LI640

G13	36W T26 G13	36W T26	EN 60598	EN 60598-2-22		IP 20	T _a 25			850°C
-----	-------------	---------	----------	---------------	--	-------	-------------------	--	--	-------

The only one called 'Pop Pack', the original fluorescent batten

Batten luminaire with integral emergency lighting facility for 1 x 36W T26 lamp. Emergency self-contained circuit with emergency circuit. - stoved enamel.

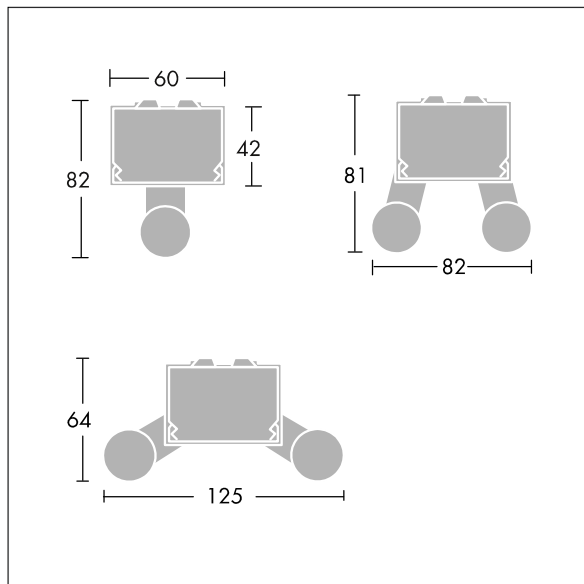
Dimensions : 1200 x 60 x 82 mm

Total power : 50 W

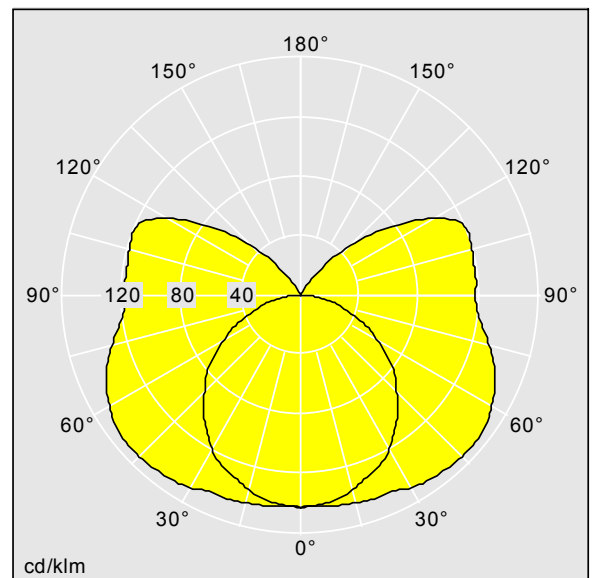
Weight: 3.45 kg



TLG_POPR_F_BS.jpg



TLG_POPR_M_LD1.wmf



TLG_SP_R0001176.ltd

Lamp position:STD - standard

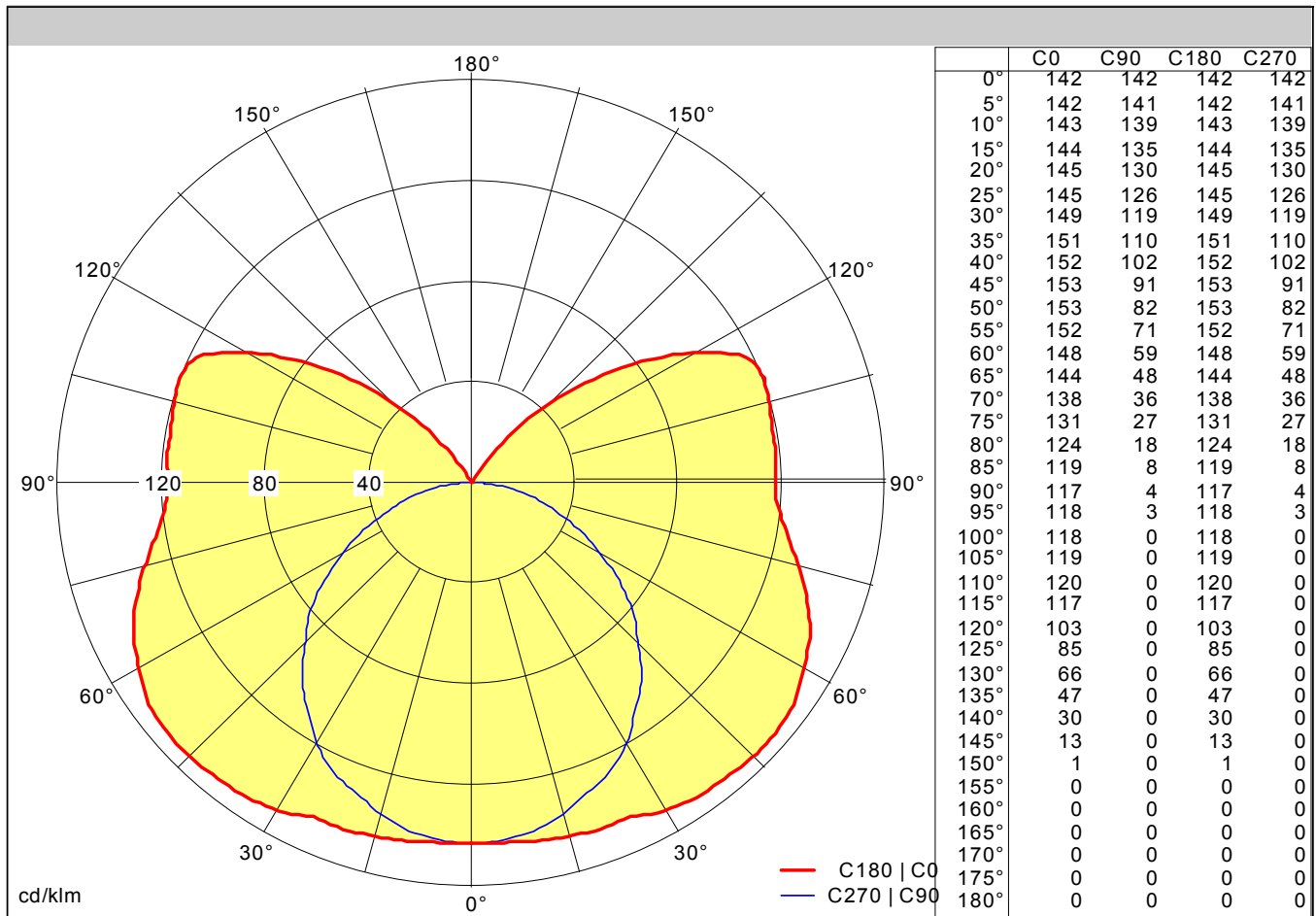
Lamp:T26 36W

LOR: 0,94 ULOR: 0,27 DLOR: 0,67

Maintenance category:A

Popular Range Battens

96229399 POPPACK BATTEN 1X36W T26 CP E3 LI640



Light output ratio	
LOR	94 %
ULOR	27 %
DLOR	67 %
FFR	0.39 (28:72)
BLF	1.00

Glare Evaluation	
X = 4 H, Y = 8 H	S = 1.00 H
Reflection factors	70/50/20
UGR transversal	<28
UGR axial	<22

Classification	
LiTG	B21
LG7	
BZ	BZ6
UTE	0.67 H + 0.27 T
Flux Codes	211 399 553 672 937

Utilization Factors									
Room Reflectance Ceiling/Walls/Floor	Room Index								
	0.75	1.00	1.25	1.50	2.00	2.50	3.00	4.00	5.00
70 / 50 / 20	NA	50	56	61	67	72	75	80	83
70 / 30 / 20	NA	42	48	53	61	66	69	75	79
70 / 10 / 20	NA	36	43	48	55	60	65	71	75
50 / 50 / 20	NA	45	50	54	60	64	67	72	74
50 / 30 / 20	NA	39	44	48	55	59	63	67	71
50 / 10 / 20	NA	34	39	44	50	55	59	64	67
30 / 50 / 20	NA	40	45	49	54	57	60	63	66
30 / 30 / 20	NA	35	40	44	49	53	56	60	63
30 / 10 / 20	NA	31	36	40	46	50	53	58	61
0 / 0 / 0	NA	26	30	33	38	41	44	48	50

According to CIBSE Technical Memorandum No. 5 1980

SHR Nom =	1.75
SHR Max =	1.92
SHR Max TR =	2.64

Photometric data file: TLG_SP_R0001176.ldt