

## Popular Range Battens

### 96229400 POPPACK BATTEN 1X58W T26 CP E3 LI640

G13	58W T26 G13	58W T26	EN 60598	EN 60598-2-22		IP 20	T <sub>a</sub> 25			850°C
-----	-------------	---------	----------	---------------	--	-------	-------------------	--	--	-------

The only one called 'Pop Pack', the original fluorescent batten

Batten luminaire with integral emergency lighting facility for 1 x 58W T26 lamp. Emergency self-contained circuit with emergency circuit. - stoved enamel.

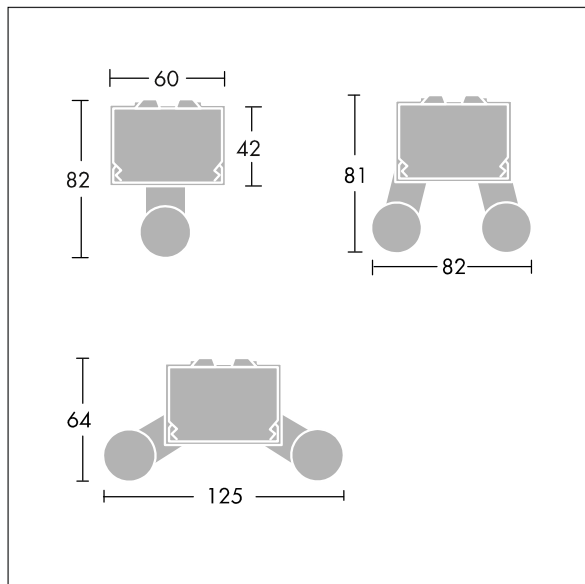
Dimensions : 1500 x 60 x 82 mm

Total power : 74 W

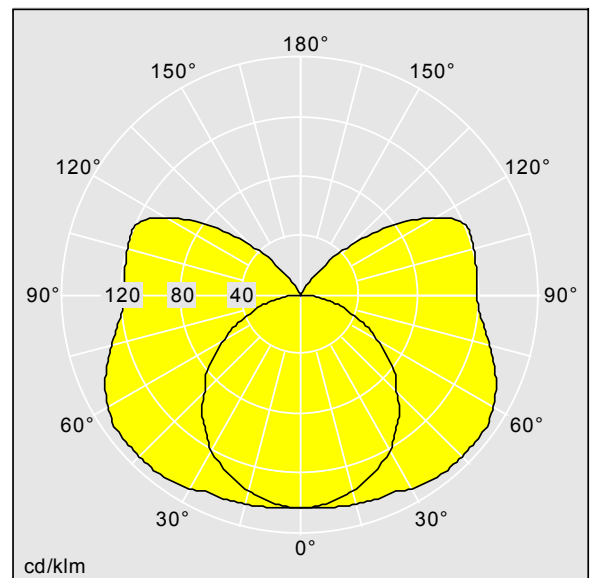
Weight: 4.4 kg



TLG\_POPR\_F\_BS.jpg



TLG\_POPR\_M\_LD1.wmf



TLG\_SP\_R0025161.ltd

Lamp position:STD - standard

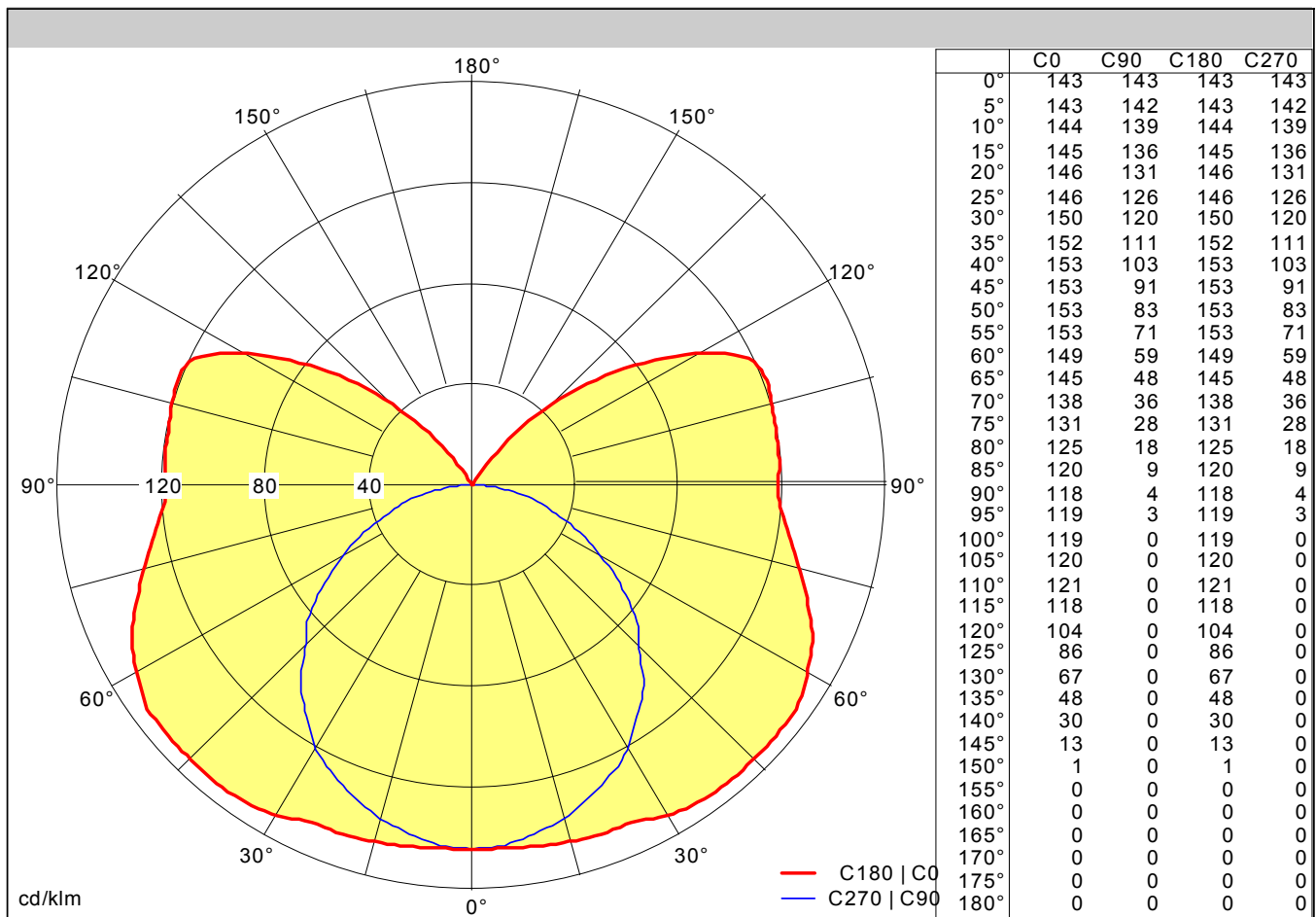
Lamp:T26 58W

LOR: 0,95 ULOR: 0,27 DLOR: 0,68

Maintenance category:A

# Popular Range Battens

## 96229400 POPPACK BATTEN 1X58W T26 CP E3 LI640



Light output ratio	
LOR	95 %
ULOR	27 %
DLOR	68 %
FFR	0.40 (28:72)
BLF	1.00

Glare Evaluation	
X = 4 H, Y = 8 H	S = 1.00 H
Reflection factors	70/50/20
UGR transversal	<28
UGR axial	<25

Classification	
LiTG	B21
LG7	
BZ	BZ6
UTE	0.68 H + 0.27 T
Flux Codes	213 402 558 678 946

Utilization Factors									
Room Reflectance Ceiling/Walls/Floor	Room Index								
	0.75	1.00	1.25	1.50	2.00	2.50	3.00	4.00	5.00
70 / 50 / 20	NA	50	57	61	68	73	76	81	84
70 / 30 / 20	NA	43	49	54	61	66	70	76	79
70 / 10 / 20	NA	37	43	48	55	61	65	71	75
50 / 50 / 20	NA	45	51	55	61	65	68	72	75
50 / 30 / 20	NA	39	44	49	55	60	63	68	71
50 / 10 / 20	NA	34	40	44	51	55	59	64	68
30 / 50 / 20	NA	41	45	49	54	58	61	64	66
30 / 30 / 20	NA	35	40	44	50	54	57	61	64
30 / 10 / 20	NA	31	36	40	46	50	54	58	61
0 / 0 / 0	NA	26	30	33	38	42	44	48	51
According to CIBSE Technical Memorandum No. 5 1980						SHR Nom =	1.75		
						SHR Max =	1.91		
						SHR Max TR =	2.63		

Photometric data file: TLG\_SP\_R0025161.ltd