

Popular Range Battens

96229392 POPPACK BATTEN 1X58W T26 CP LI640

G13	58W T26		EN 60598		IP20	T _a 25			CE	850°C
-----	---------	---	----------	---	------	-------------------	---	---	----	-------

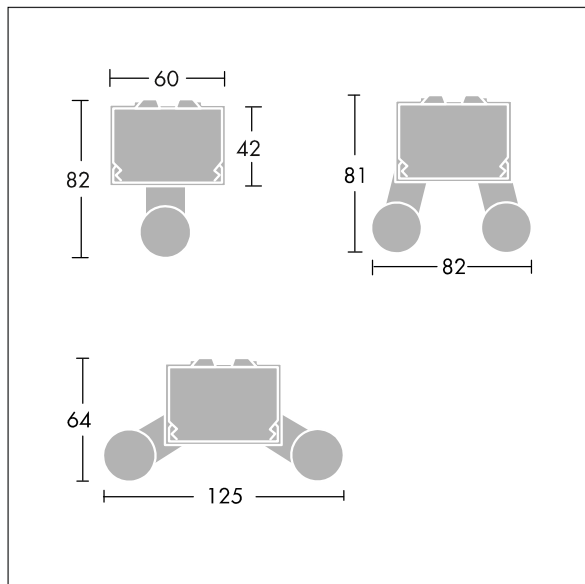
The only one called 'Pop Pack', the original fluorescent batten

Batten luminaire for 1 x 58W T26 lamp. magnetic compensated (TLG high power factor - parallel capacitor) circuit. steel - white stoved enamel.

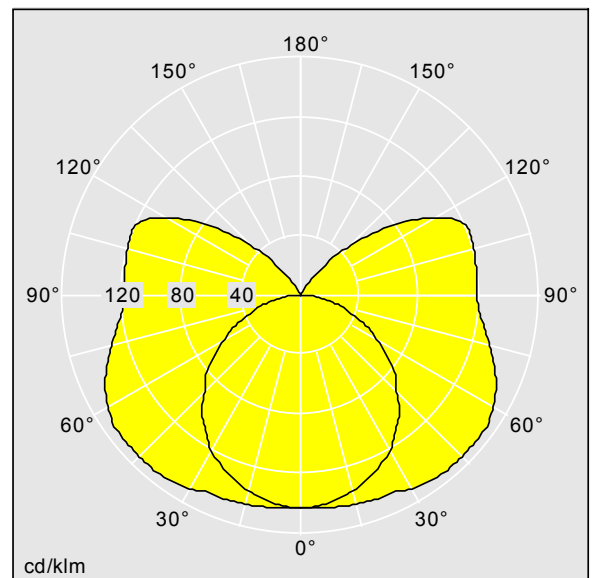
Dimensions 1500 x 60 x 82mm
 Total power : 67 W
 Weight: 3.4 kg



TLG_POPR_F_BS.jpg



TLG_POPR_M_LD1.wmf



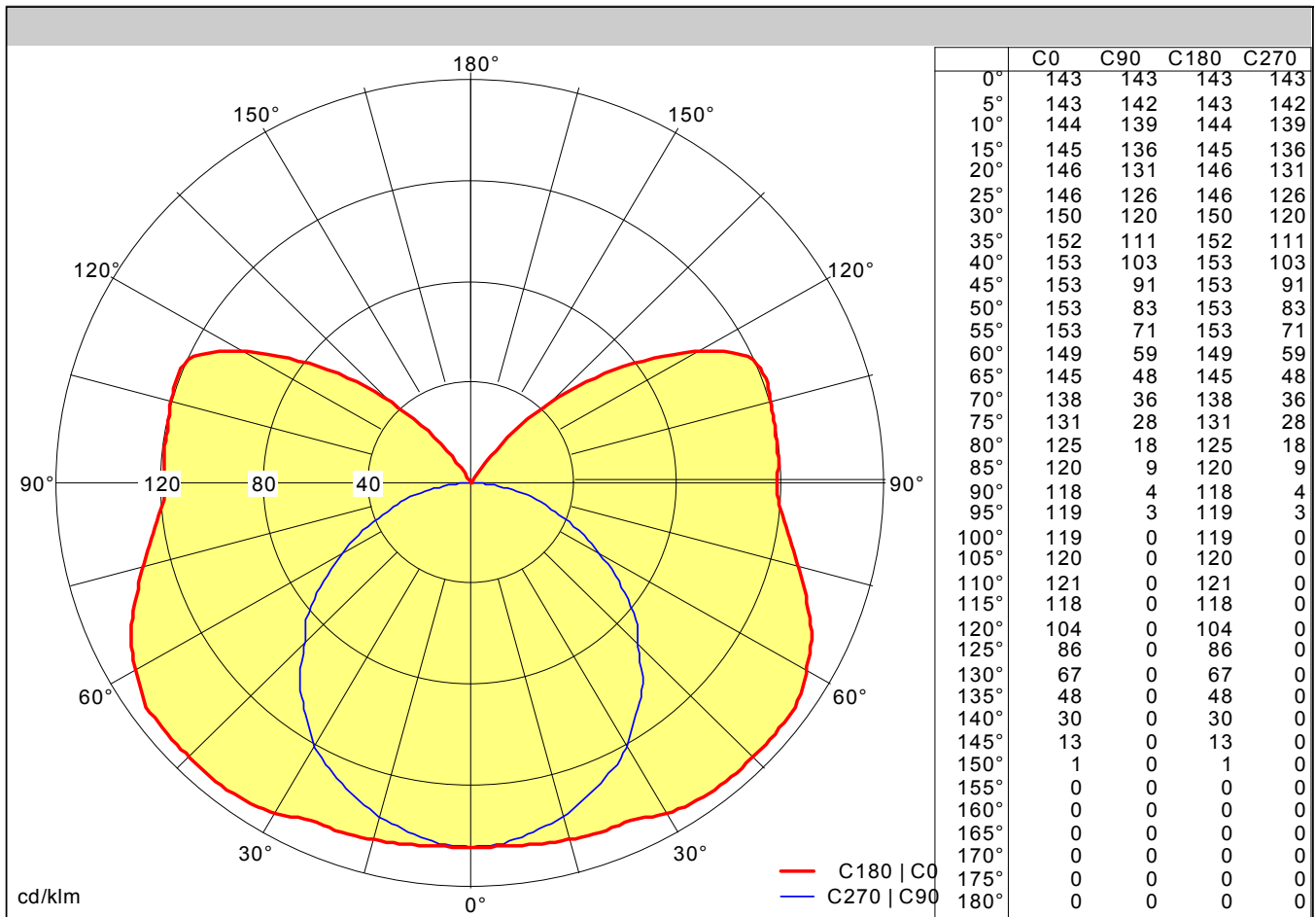
TLG_SP_R0001177.ltd

Lamp position:STD - standard
 Lamp:T26 58W
 LOR: 0,95 ULOR: 0,27 DLOR: 0,68
 Maintenance category:A

Popular Range Battens



96229392 POPPACK BATTEN 1X58W T26 CP LI640



Light output ratio	
LOR	95 %
ULOR	27 %
DLOR	68 %
FFR	0.40 (28:72)
BLF	1.00

Glare Evaluation	
X = 4 H, Y = 8 H	S = 1.00 H
Reflection factors	70/50/20
UGR transversal	<28
UGR axial	<25

Classification	
LiTG	B21
LG7	
BZ	BZ6
UTE	0.68 H + 0.27 T
Flux Codes	213 402 558 678 946

Utilization Factors									
Room Reflectance Ceiling/Walls/Floor	Room Index								
	0.75	1.00	1.25	1.50	2.00	2.50	3.00	4.00	5.00
70 / 50 / 20	NA	50	57	61	68	73	76	81	84
70 / 30 / 20	NA	43	49	54	61	66	70	76	79
70 / 10 / 20	NA	37	43	48	55	61	65	71	75
50 / 50 / 20	NA	45	51	55	61	65	68	72	75
50 / 30 / 20	NA	39	44	49	55	60	63	68	71
50 / 10 / 20	NA	34	40	44	51	55	59	64	68
30 / 50 / 20	NA	41	45	49	54	58	61	64	66
30 / 30 / 20	NA	35	40	44	50	54	57	61	64
30 / 10 / 20	NA	31	36	40	46	50	54	58	61
0 / 0 / 0	NA	26	30	33	38	42	44	48	51
According to CIBSE Technical Memorandum No. 5 1980						SHR Nom =	1.75		
						SHR Max =	1.91		
						SHR Max TR =	2.63		

Photometric data file: TLG_SP_R0001177.ltd