

Popular Range Battens

96229398 POPPACK BATTEN 2X70W T26 CP LI640

G13	70W T26		EN 60598		IP20	T _a 25			CE	850°C
-----	---------	--	----------	--	------	-------------------	--	--	----	-------

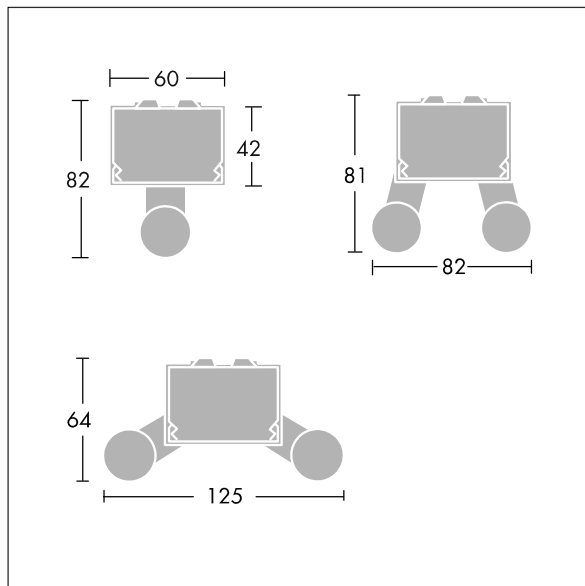
The only one called 'Pop Pack', the original fluorescent batten

Batten luminaire for 2 x 70W T26 lamp. circuit. steel - white stoved enamel.

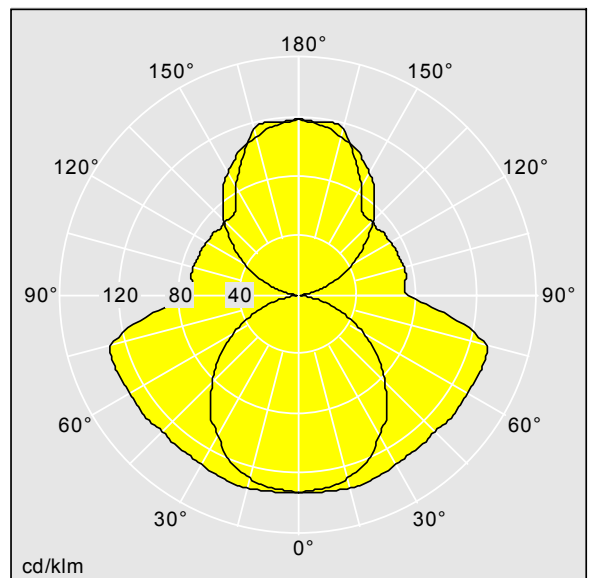
Dimensions 1800 x 125 x 64mm
 Total power : 165 W
 Weight: 6.12 kg



TLG_POPR_F_BTW.jpg



TLG_POPR_M_LD1.wmf

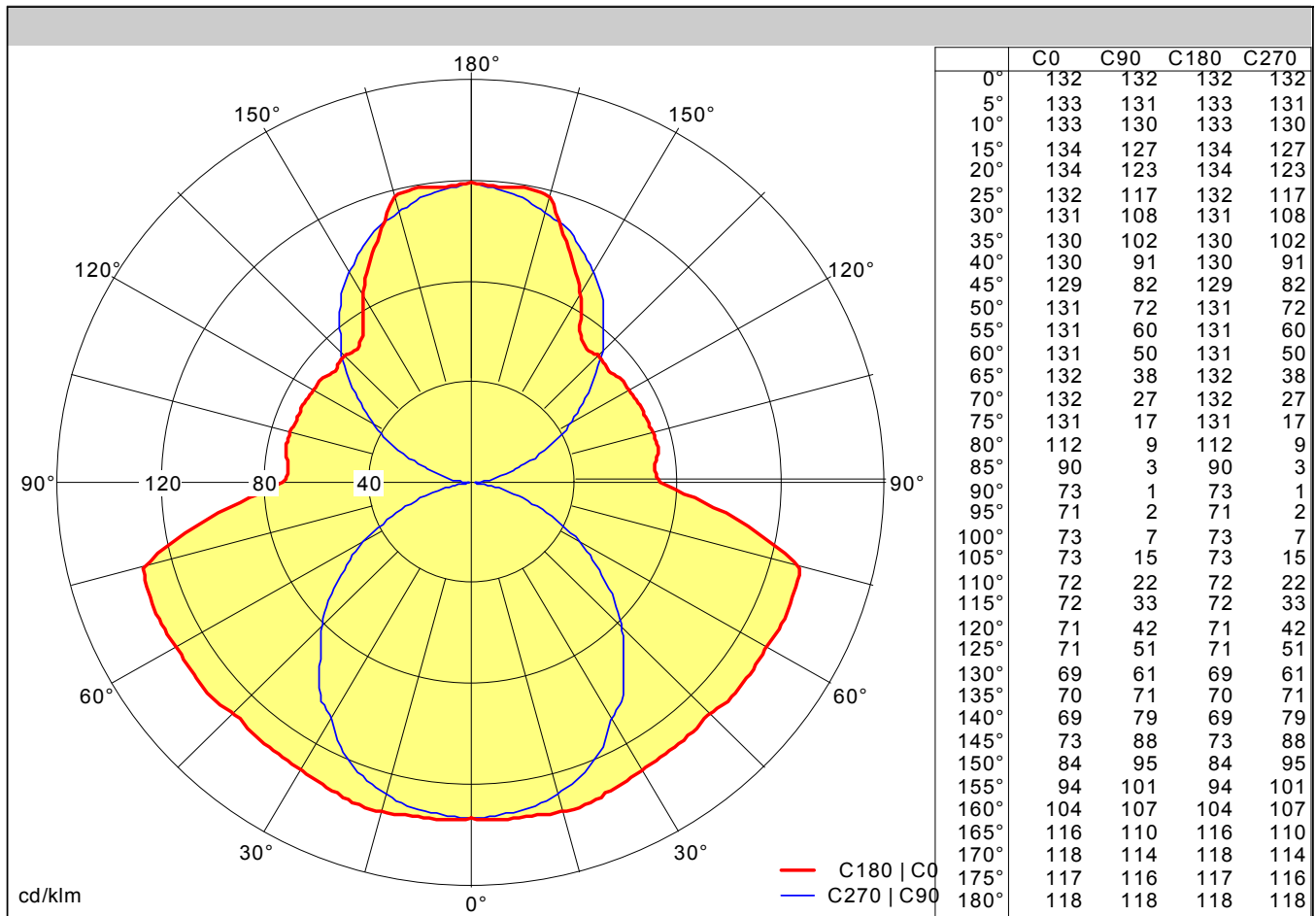


TLG_SP_R0001186.ltd

Lamp position:STD - standard
 Lamp:T26 70W
 LOR: 0,96 ULOR: 0,38 DLOR: 0,58
 Maintenance category:A

Popular Range Battens

96229398 POPPACK BATTEN 2X70W T26 CP LI640



Light output ratio	
LOR	96 %
ULOR	38 %
DLOR	58 %
FFR	0.66 (40:60)
BLF	1.00

Glare Evaluation	
X = 4 H, Y = 8 H	S = 1.00 H
Reflection factors	70/50/20
UGR transversal	<28
UGR axial	<22

Classification	
LiTG	B22
LG7	
BZ	BZ6
UTE	0.58 G + 0.38 T
Flux Codes	191 349 483 580 963

Utilization Factors									
Room Reflectance Ceiling/Walls/Floor	Room Index								
	0.75	1.00	1.25	1.50	2.00	2.50	3.00	4.00	5.00
70 / 50 / 20	NA	50	56	61	67	72	75	80	83
70 / 30 / 20	NA	43	49	54	61	66	70	75	79
70 / 10 / 20	NA	37	43	48	56	61	65	71	75
50 / 50 / 20	NA	44	49	53	59	62	65	69	72
50 / 30 / 20	NA	38	43	47	53	58	61	66	69
50 / 10 / 20	NA	33	39	43	49	54	57	62	66
30 / 50 / 20	NA	38	42	46	50	54	56	59	62
30 / 30 / 20	NA	33	38	41	46	50	53	57	59
30 / 10 / 20	NA	30	34	38	43	47	50	54	57
0 / 0 / 0	NA	23	26	29	33	36	39	42	44

According to CIBSE Technical Memorandum No. 5 1980

SHR Nom =	1.75
SHR Max =	1.83
SHR Max TR =	2.46

Photometric data file: TLG_SP_R0001186.ltd