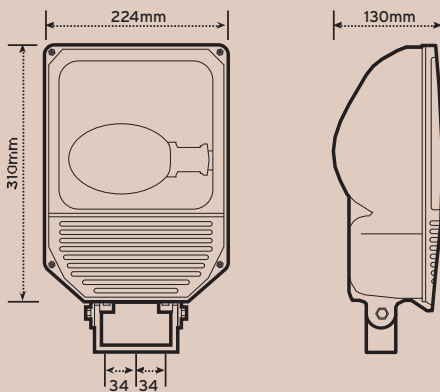


TRACPRO

A compact energy efficient floodlight featuring the latest in design engineering concepts and manufacturing techniques.

An injection moulded body made from high technology glass fibre reinforced thermo nylon polymer. UV and heat stabilised making the body tough, anti corrosive.

Supplied complete with integral control gear and lamp, packed in an attractive self merchandising carton. Suitable for installation in a wide range of applications and weather conditions. Available with optional photocell versions. High frequency compact fluorescent versions can also be provided for use with PIR movement detectors to give instantaneous operation.



IP65 Ta 25°C Max

TECHNICAL SPECIFICATION

BODY & BRACKET	Injection moulded thermo nylon glass filled UV stabilised
DIFFUSERS	Injection moulded thermo clear polycarbonate UV stabilised
PHOTOCELL	Photocell available for all types
REFLECTORS	Asymmetric anodised aluminium
CONTROL GEAR	High pressure sodium, mercury blended, compact fluorescent.
SUPPLY ACCESS	Hinged front cover and IP67 compression gland
COLOURS	Black
INGRESS PROTECTION	IP65

WINDAGE SCX=0.11M2



DESCRIPTION	LAMP	Wt.(kg)	PART No.
ASYMMETRIC REFLECTOR			
HIGH PRESSURE SODIUM			
70W - BLACK	S.1	3.90	PRO70S
MERCURY BLENDED FLU.			
80W - BLACK	M.1	3.90	PRO80M
COMPACT FLUORESCENT			
26W - BLACK	CF.4	3.60	PRO26
26W - BLACK	CF. 4	3.60	PRO26HF
32W - BLACK	CF.5	3.60	PRO32HF
42W - BLACK	CF.6	3.70	PRO42HF

PC PHOTOCELL OPTIONS ARE AVAILABLE ON ALL TYPES, TO ORDER SUFFIX CODE WITH /PC. e.g. PRO70S/PC



Trac Lighting & Controls, Europark, Station Road, Thirsk, North Yorkshire, YO7 1QH England
Tel: +44 (0)1845 526006 Fax: ++ (0)1845 526010 Email: sales@trac.co.uk

UK MADE

