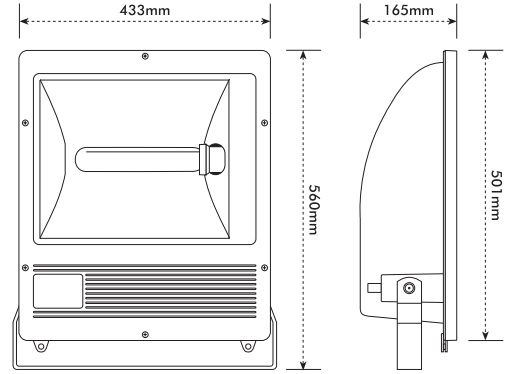




UNIFLOOD-MAXI

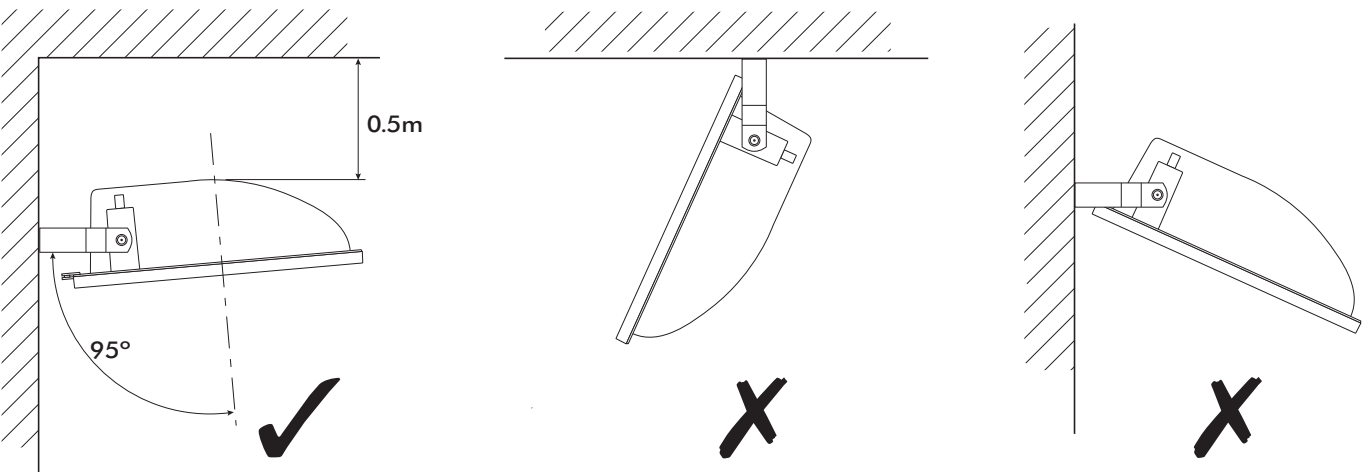
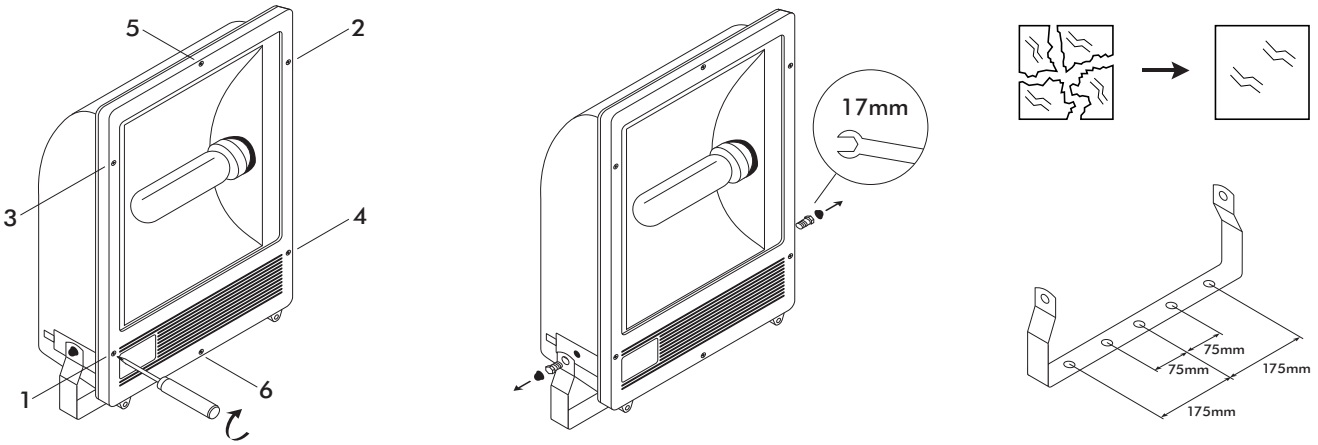
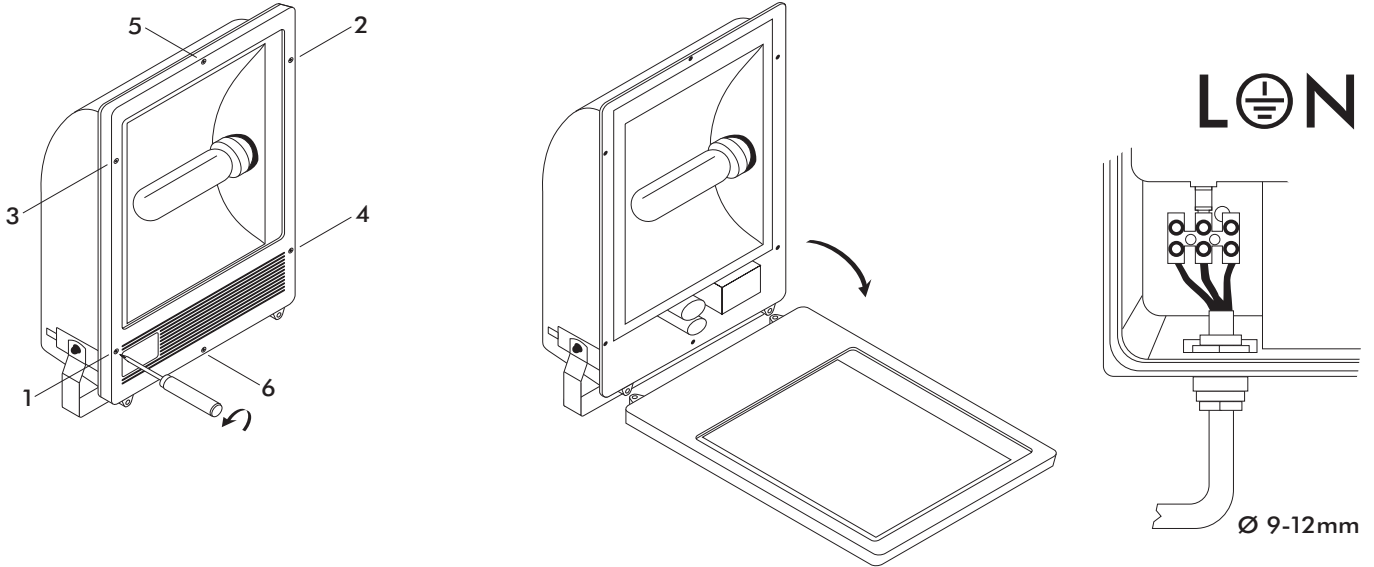
IP67 ⚡ ⚠ CE CLI Ta 25°C Max Windage SCX=0.21M



DESCRIPTION	Wt.(kg)	PART No.	DESCRIPTION	Wt.(kg)	PART No.
HIGH PRESSURE SODIUM			METAL HALIDE		
150W	8.30	UM150S	250W	9.80	UM250H
250W	9.80	UM250S	400W	11.40	UM400H
400W	11.40	UM400S			
MERCURY BLENDED FLU.					
250W	8.60	UM250M	• 240v • E40 • Photocell		

PLEASE NOTE THAT THIS UNIT IS FOR EXTERIOR USE (OUTDOOR)

EXTERNAL BOLTS & SCREWS ARE A2 IN STAINLESS STEEL - DO NOT USE ANY FORM OF GREASE DUE TO POSSIBLE ADVERSE REACTION WITH POLYCARBONATE BODY



Must be wired in accordance with current IEE wiring regulations