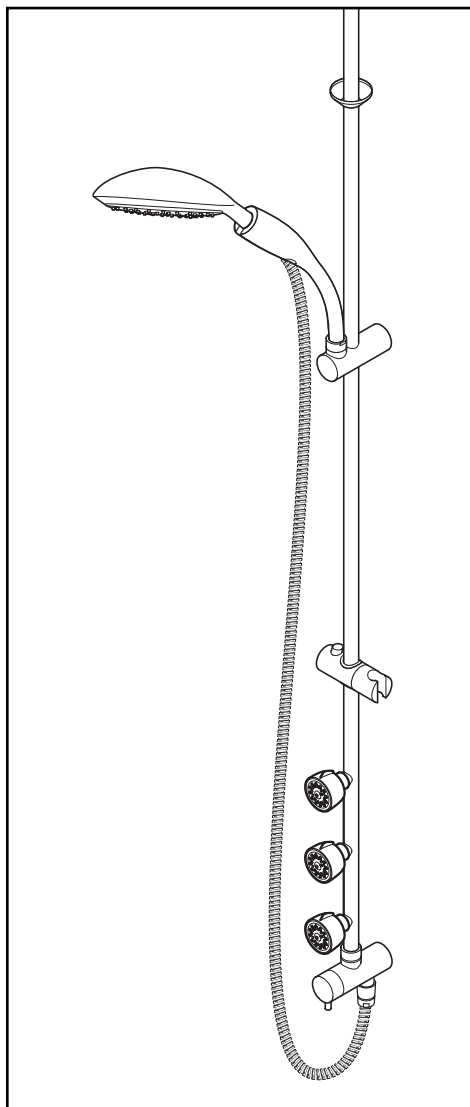


SATELLITES
by TRITON

TRITON

BELLONA

Shower pole kit



Installation instructions

INSTALLERS PLEASE NOTE THESE INSTRUCTIONS ARE TO BE LEFT WITH THE USER

CONTENTS	Page
General installation notes	1
Main components	2
Siting of the shower pole	3
Installation	4 – 5
Plumbing connections	6
Leak testing	6
Operation	7
Cleaning	7
Spare parts	8
Guarantee, service policy, etc.	rear cover

To check the product suitability for commercial and multiple installations, please contact Triton's specification advisory service before installation.

Telephone: +44 (0) 87 0067 3767

Facsimile: +44 (0) 87 0067 3334

E mail: technical@triton.plc.uk

GENERAL INSTALLATION NOTES

The following notes are given as the suggested steps for installing the Satellites mixer shower and remote control:

1. Site survey

Determine the position of all parts of the shower (kit, mixing unit and control) before starting the installation.

2. Fit the mixing unit

3. Install the shower kit

Having determined the position of the mixing unit install the shower kit.

4. Install the pipework and plumbing

Run the pipework from the mixing unit to the shower kit outlet. Connect the inlet pipework, outlet pipework and then the outlet fittings.

5. Electrical connections

Connect the mixing unit to the electrical supplies.

6. Register the remote control panel

Register the control panel to the mixing unit.

7. Commission the unit

Commission the shower and select the desired feature settings.

8. Fit the control panel to the wall

Install the remote control panel wall mounting bracket within the showering area. Fit the control panel onto the bracket.

9. Operation

Operate the shower and set preferred flow settings.

A video detailing the installation of the Satellites mixer shower can be seen at

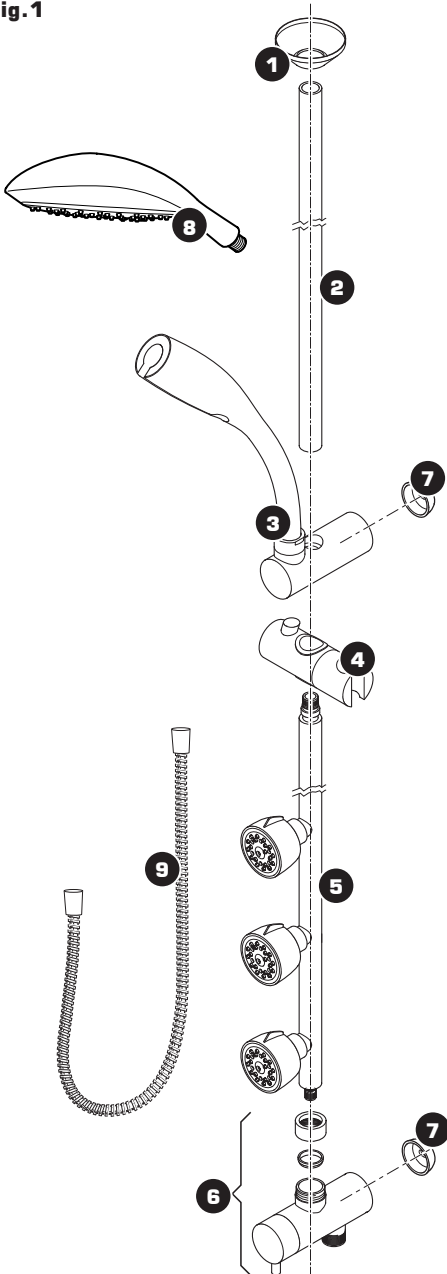
www.tritonshowers.co.uk.

**A DVD is also available on request.
Contact the Brochure request line for details on**

+44 (0) 24 7632 4460

MAIN COMPONENTS

Fig. 1



Riser rail contents (Fig. 1)

1. Ceiling trim
 2. Upper riser rail section
 3. Overhead shower arm
 4. Showerhead holder
 5. Lower riser rail section
 6. Diverter assembly including:
sealing washer
diverter collar
 7. Mounting brackets
 8. Handset showerhead
 9. Flexible shower hose
 10. Fixing screws and wall plugs
(not shown)
- Instructions, guarantee, etc.

SITING OF THE SHOWER POLE

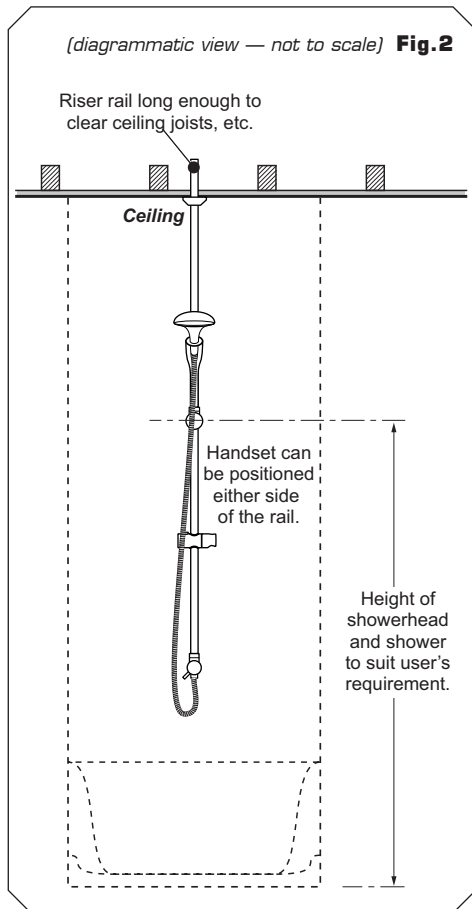
WARNING!

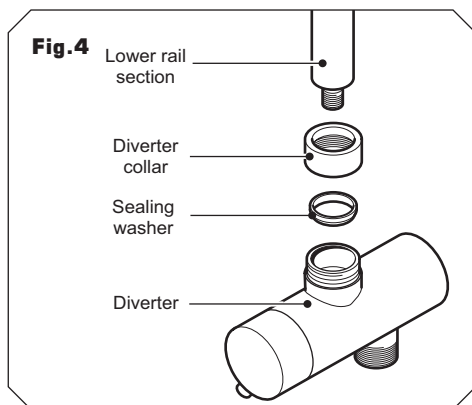
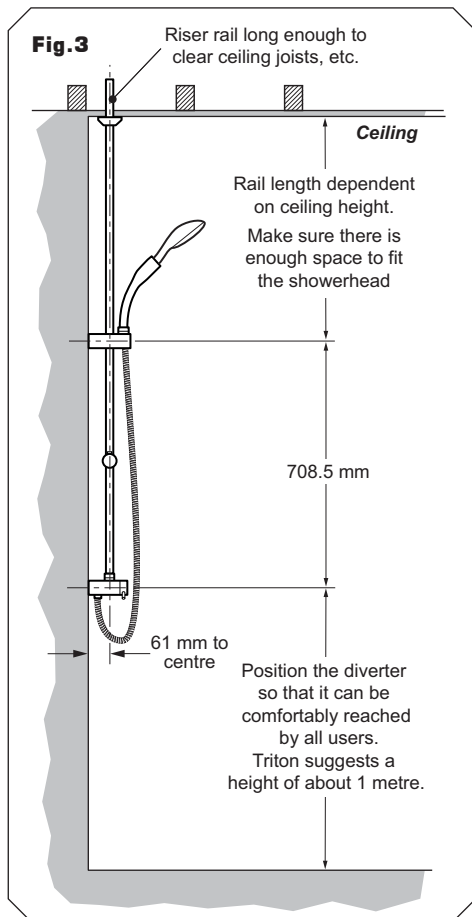
The shower must not be positioned where it will be subject to freezing conditions.

Refer to **Fig.2** for correct siting of the shower.

Position the shower pole on the wall so the diverter controls can be comfortably reached while using the shower.

The unit must be positioned vertically with the outlet port at the bottom.





INSTALLATION

When determining your required riser rail length make sure there is sufficient length of riser rail above the ceiling level to overcome any obstructions to running the heated water pipe, such as the height of the ceiling joist (**fig.3**).

Fit the diverter collar and sealing washer onto the lower rail section. Insert the lower rail section into the top of the diverter and screw into position (**fig.4**). Slide the sealing washer onto the diverter and tighten the collar to secure.

Fit the showerhead holder onto the lower rail section as follows: press and hold the button on top of the holder to release the locking mechanism then slide onto the rail (**fig.5**). Release the button to lock the holder in place.

Push fit the overhead shower arm onto the lower rail section and align to the diverter control (**fig.6**).

Determine the length of upper rail section required and shorten with a suitable hacksaw or pipe cutter. Deburr the rail.

Note: Make sure there is sufficient space between the showerhead arm and ceiling to allow the showerhead to fit.

Screw the upper rail section onto the lower rail section and fit the ceiling trim.

Measure and mark the position (**fig.3**) of the centre holes for the wall mounting brackets. Drill and plug the wall. (*The wall plugs provided are suitable for most brick walls – use an appropriate masonry drill, but if the wall is plasterboard or a soft building block, you must use suitable wall plugs and a suitable drill bit*).

Fit the mounting brackets to the wall and secure using the screws supplied.

Note: The elongated hole in the bracket allows a small amount of adjustment.

Decide on the position where the shower pole is to enter the ceiling and mark the centre point (**fig.3**). Using a 26 mm cutter, drill the ceiling opening.

Insert the shower pole assembly into the ceiling opening and fit onto the wall brackets. Secure to the wall by tighten the grub screws in the base of the diverter and showerhead arm (**fig.7**).

Slide the ceiling trim up to the ceiling.

Fitting the fixed showerhead and hose

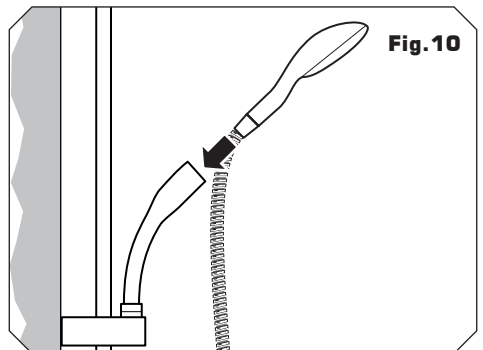
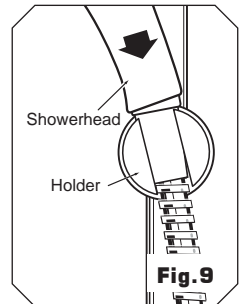
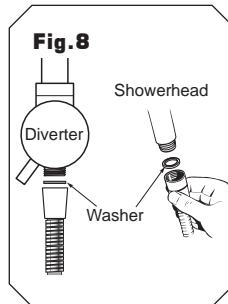
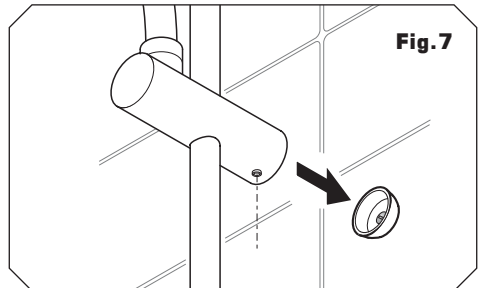
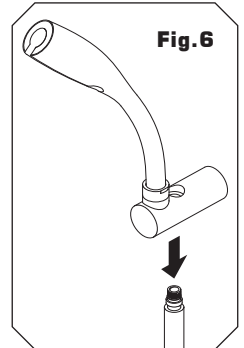
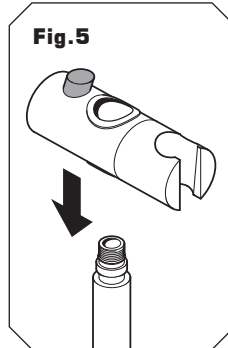
Fit the flexible hose to the outlet on the underside of the diverter unit and to the showerhead, making sure that the sealing washers supplied are inserted into each end of the hose cone (**fig.8**).

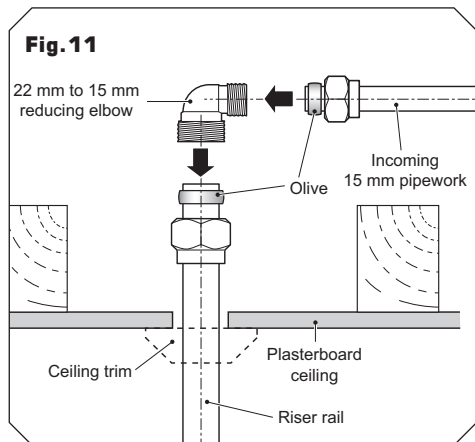
Place the showerhead into the holder (**fig.9**) and check that it fits correctly.

Note: The holder is slightly tapered and the showerhead and hose will only fit from one direction.

IMPORTANT: It is the conical end of the hose which grips into the holder. The showerhead will not fit in the holder without the hose attached.

Place the showerhead into the overhead shower arm (**fig.10**) and check that it fits correctly.





PLUMBING CONNECTIONS

IMPORTANT: Make sure all pipework connections to and from the mixing unit have been completed before fitting the outlet connector. Refer to 'Part 3: Mixing unit for details.

To connect the shower pole to the mixing unit use a 22 mm to 15 mm reducing connector (**fig. 11**).

LEAK TESTING

Fit the hose to the outlet and direct it to waste. Open the supplies and test for leaks in the valve connections. Remedy any leaks if necessary.

OPERATION

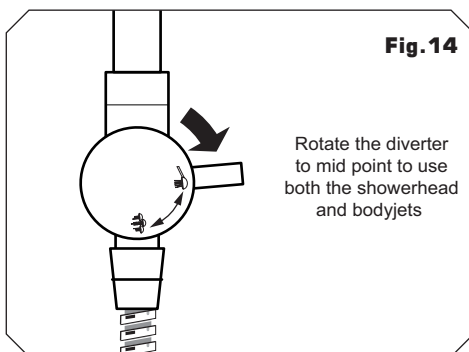
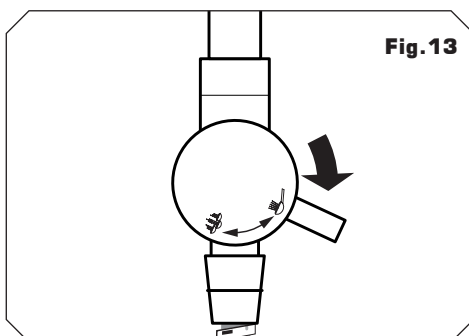
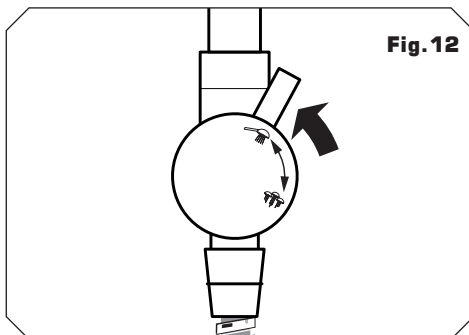
Rotate the diverter anti-clockwise to select the showerhead setting (**fig. 12**).

Rotate the diverter clockwise to select the bodyjets setting (**fig. 13**).

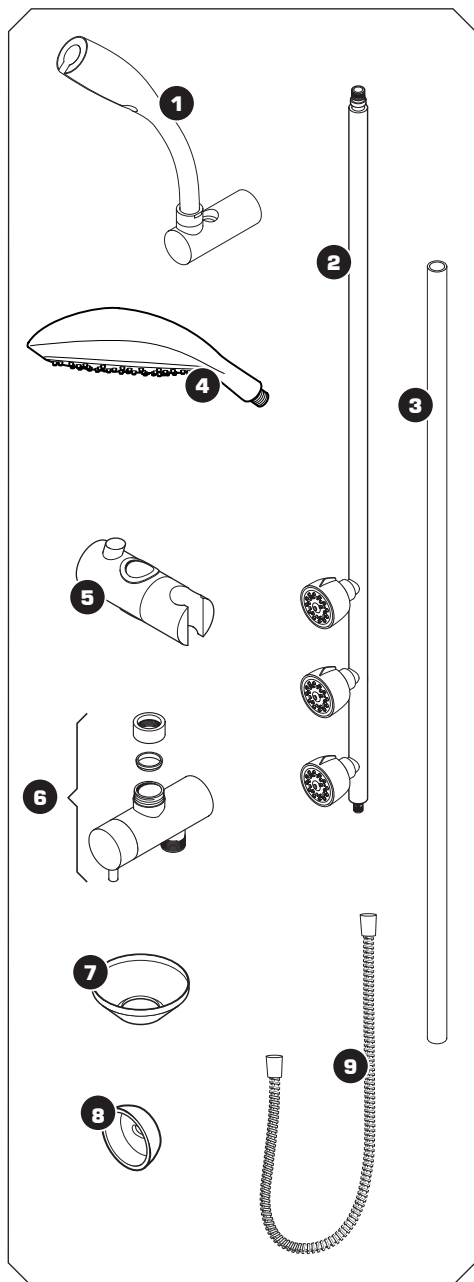
Rotate the diverter control to a midway point between the showerhead setting and the bodyjet setting to allow both the showerhead and bodyjet to operate (**fig. 14**).

CLEANING

DO NOT use abrasive or solvent cleaning fluids. The shower pole should be cleaned using a soft cloth and warm water.



SPARE PARTS



Ref.	Description	Part No.
1.	Showerhead arm	83310950
2.	Lower riser rail section	83310960
3.	Upper riser rail section	83310970
4.	Chloe showerhead	88500003
5.	Showerhead holder – black	83310800
6.	Diverter pack	83310980
7.	Ceiling trim	83310990
8.	Wall bracket	83311000
9.	Flexible hose – multi-fit cone	83311010



*A **MORGROS** Company*

TRITON STANDARD GUARANTEE

Triton Plc guarantee this product against defects arising from faulty workmanship or materials for a period of one year for domestic use only, from the date of purchase, provided that it has been installed by a competent person in full accordance with the fitting instructions.

Any part found to be defective during this guarantee period we undertake to repair or replace at our option without charge so long as it has been properly maintained and operated in accordance with the operating instructions, and has not been subject to misuse or damage.

This product must not be taken apart, modified or repaired except by a person authorised by Triton Plc. This guarantee applies only to products installed within the United Kingdom and does not apply to products used commercially. This guarantee does not affect your statutory rights.

Triton Plc
Triton Road
Nuneaton
Warwickshire

CV11 4NR

Customer Service: ☎ +44 (0) 87 0067 3333

Scottish and Northern Ireland

Customer Service: ☎ +44 (0) 84 5762 6591

Trade Installer Hotline: ☎ +44 (0) 87 0067 3767

Fax: +44 (0) 87 0067 3334

www.tritonshowers.co.uk

E mail: technical@triton.plc.uk