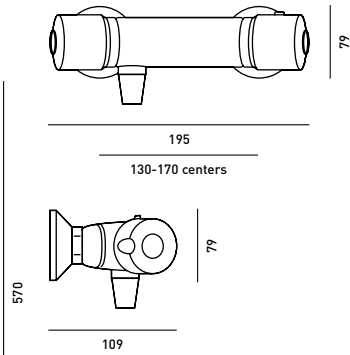
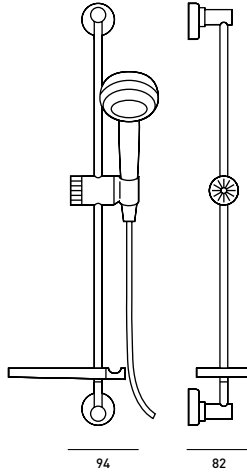


AIRE



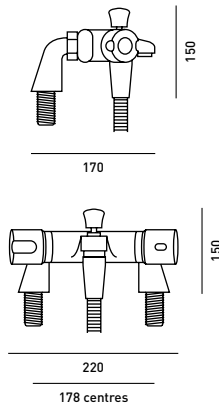
**UNAITHBM
Bar mixer**



Mixer valve type	Thermostatic
Operation	Dual control
Pressure range	0.2 bar - 5 bar
Maximum static pressure	10 bar
Minimum flow required to both inlets	8 litres per minute
Plumbing system	All, nominally equal pressures
Connections: Inlet	1/2" BSP
Connections: Outlet	1/2" BSP bottom
Water supplies	Rising, falling or rear entry
Inlet fittings supplied	Dog leg (see page 27)

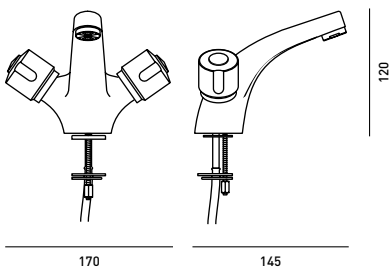


**UNAITHBSM
Bath shower mixer**

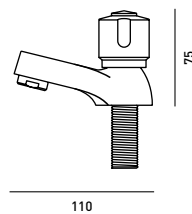


Mixer valve type	Thermostatic
Operation	Dual control
Pressure range	1 bar - 5 bar
Maximum static pressure	10 bar
Minimum flow required to both inlets	8 litres per minute
Plumbing system	High water pressure only, nominally equal pressures
Connections: Inlet	3/4" BSP
Connections: Outlet	1/2" BSP bottom
Water supplies	Rising only

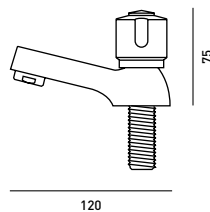
**UNAITPBAM
Basin mixer with pop-up waste**



**UNAITP1-2
Basin taps**



**UNAITP3-4
Bath taps**



**UNAITPBF
Bath filler**

