



EU DECLARATION OF CONFORMITY  
DECLARACIÓN UE DE CONFORMIDAD

**3EBasor**

CABLE TRAY SPECIALIST

www.basor.com



Certificado Nº SGI 3198065/11



Certificado Nº SGI 3198065/12

The company / *La Empresa:*

**BASOR ELECTRIC, S.A.**

Address / *Dirección:*

Av. Alcodar, 45-47, 46700. Gandía (VLC), Spain.

Declares that the product:

*Declara que el producto:*

**BASORSUPPORT C-SHO**

Installed in accordance to the installation standards, manufacturer's instructions and professional rules, duly maintained and used for the applications as intended.

*Instalado de acuerdo con las normas de instalación, instrucciones del fabricante y conforme a las reglas profesionales, debidamente mantenido y utilizado en las aplicaciones para las que está previsto.*

Complies with the essential requirements of the Council Directives:

*Cumple con los requisitos esenciales de las Directivas del Consejo:*

**2014/35/UE (Low Voltage Directive) / (Directiva de Baja Tensión)**

Incorporated in the Spanish Legislation in: R.D. 7/1988 and its modification R.D. 154/1995.

*Incorporado en la Legislación Española en: R.D. 7/1988 y su modificación R.D. 154/1995.*

And it is suitable and safe for the intended use and it is in conformity with the following standard:

*Es adecuado y seguro para el uso a que está destinado y es conforme con la siguiente norma:*

**UNE EN 61537**

Additional information:

*Información adicional:*

This product is intended to be installed and maintained by skilled persons, it may be used by ordinary persons only as a replacement part, to substitute for an identical device.

*Este producto está previsto para ser instalado y mantenido por un profesional, puede ser usado por una persona no formada para reemplazamiento de uno idéntico.*

Place and date:

*Lugar y fecha:*

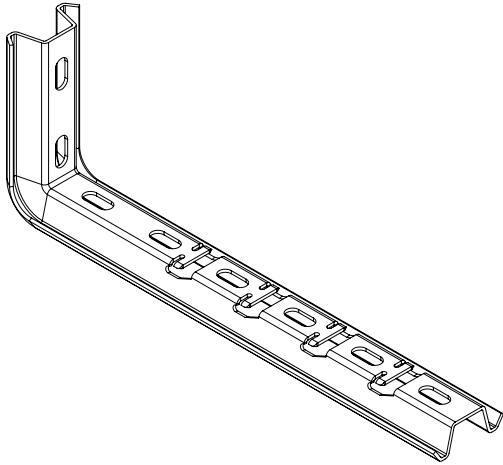
Gandía April 2016

*Gandía Abril 2016*

Technical department / *Departamento Técnico*



**C-SHO HORIZONTAL SUPPORT**



Models (B):

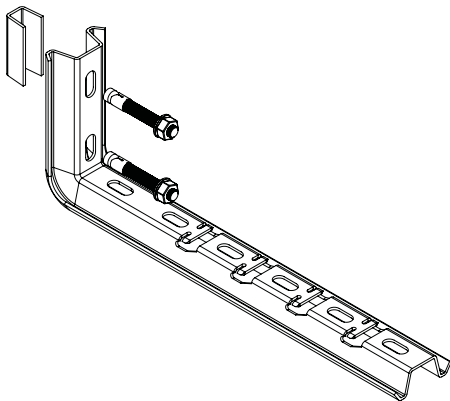
100; 150; 200; 300; 400.

Finishes: PG; HDG

Characteristics:

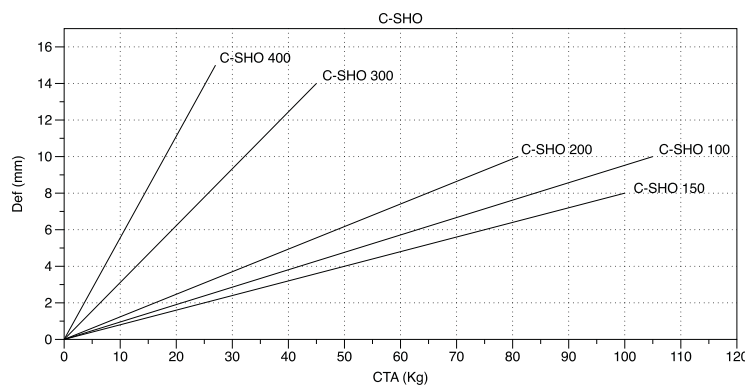
- Metallic
- Non-flame propagating component
- With electrical continuity characteristic
- Electrically conductive system
- Minimum temperature of -50 °C
- Maximum temperature of 150 °C
- With a metallic finish; resistance to corrosion:
  - PG coating: class 3
  - HDG coating: class 6

**INSTRUCTIONS FOR USE**



- For the assembly of the support, two anchorages are needed, and the SHO Supporting Piece is used to reinforce the fixation on the wall.
- The tray installation for an electrical system should NOT run under other types of canalisations such as water, vapour or gas.
- To guarantee a good ventilation we recommend installing the trays keeping a minimum distance of 250 mm between each tray.
- Trays which are placed on supports shall have to keep a gap of 20 mm from the wall to allow for a correct ventilation of the cables.
- C-SHO supports are used as horizontal supports for ERE, BF and BFR cable trays.
- To set up ERE cable trays B1 bolts are needed.
- To set up the trays BF/BFR there is no need of using hardware. One of the clicks can be pressed with a flat screwdriver.

**SAFE WORKING LOAD**



This technical data sheet issued accordingly to the fulfillment of the product Standard, is itself a necessary analyses of the electric risks according to the low tension Directive 2014/35/UE of February 26th 2014, in effect from April 20th 2016