

EU DECLARATION OF CONFORMITY
DECLARACIÓN UE DE CONFORMIDAD

BE basor
E L E C T R I C

www.basor.com



Certificado Nº SGI 3198065/11



Certificado Nº SGI 3198065/12

The company / *La Empresa:*

BASOR ELECTRIC, S.A.

Address / *Dirección:*

Av. Alcodar, 45-47, 46700. Gandía (VLC), Spain.

Declares that the product:

Declara que el producto:

BASORSUPPORT C-SVO

Installed in accordance to the installation standards, manufacturer's instructions and professional rules, duly maintained and used for the applications as intended.

Instalado de acuerdo con las normas de instalación, instrucciones del fabricante y conforme a las reglas profesionales, debidamente mantenido y utilizado en las aplicaciones para las que está previsto.

Complies with the essential requirements of the Council Directives:

Cumple con los requisitos esenciales de las Directivas del Consejo:

2014/35/UE (Low Voltage Directive) / (Directiva de Baja Tensión)

Incorporated in the Spanish Legislation in: R.D. 7/1988 and its modification R.D. 154/1995.

Incorporado en la Legislación Española en: R.D. 7/1988 y su modificación R.D. 154/1995.

And it is suitable and safe for the intended use and it is in conformity with the following standard:

Es adecuado y seguro para el uso a que está destinado y es conforme con la siguiente norma:

UNE EN 61537

Additional information:

Información adicional:

This product is intended to be installed and maintained by skilled persons, it may be used by ordinary persons only as a replacement part, to substitute for an identical device.

Este producto está previsto para ser instalado y mantenido por un profesional, puede ser usado por una persona no formada para reemplazamiento de uno idéntico.

Place and date:

Lugar y fecha:

Gandía April 2016

Gandía Abril 2016

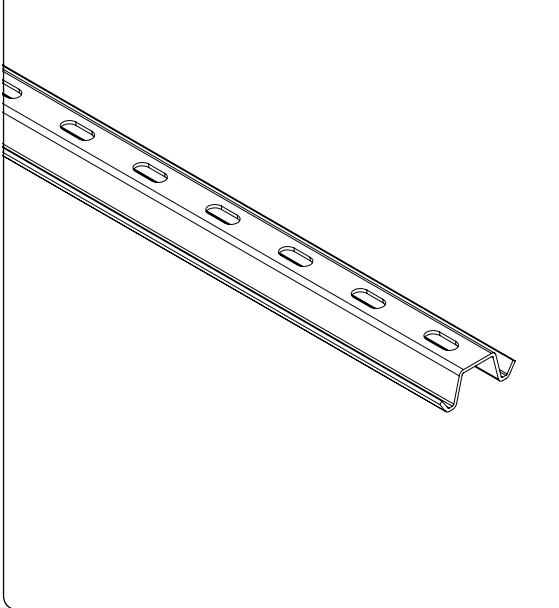
Technical department / *Departamento Técnico*

BASORSUPPORT C-SVO

UNE-EN 61537
REV.20/04/2016



C-SVO CEILING SUPPORT



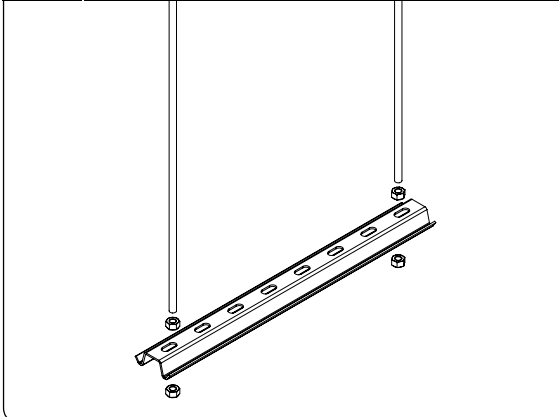
Models (B):
100, 150, 200, 300, 400, 500, 600. And lenght 3000 to make cuts on site.

Finishes: PG; HDG..

Characteristics:

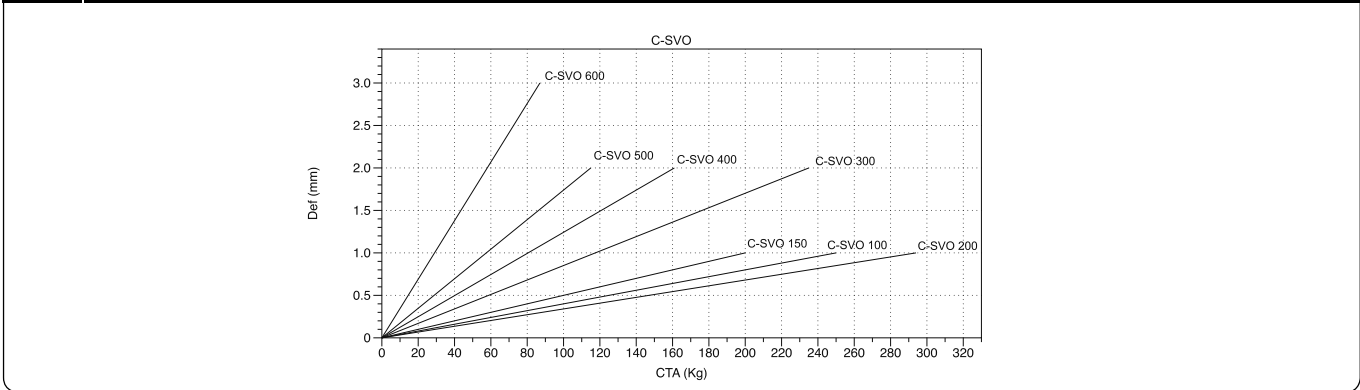
- Metallic
- Non-flame propagating
- System with electrical continuity
- Minimum temperature of -50 °C
- Maximum temperature of 150 °C
- With metallic coating; resistance to corrosion:
 - PG coating - class 3
 - HDG coating - class 6

MOUNTING INSTRUCTIONS



- For mounting the support to the ceiling, two **THREADED RODS VR M8** and four nuts are needed.
- The C-SVO support allow to regulate the clearance as needed by varying the length of the threaded rod.
- For mounting steel cable trays **ERE/FRE** to the C-SVO support, **B1 Sets** are required.
- For mounting wire mesh cable trays **BF/BFR** to the C-SVO support, there is no need of any additional element. There are fixed by pressing the flanges with a flat screwdriver.

SAFE WORKING LOAD



This technical data sheet issued accordingly to the fulfillment of the product Standard, is itself a necessary analyses of the electric risks according to the low tension Directive 2014/35/UE of February 26th 2014, in effect from April 20th 2016