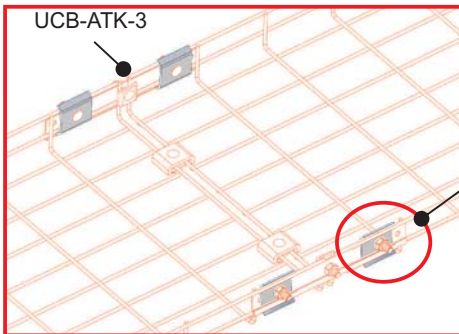
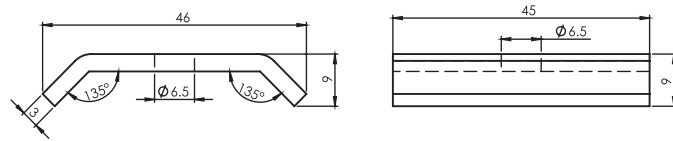


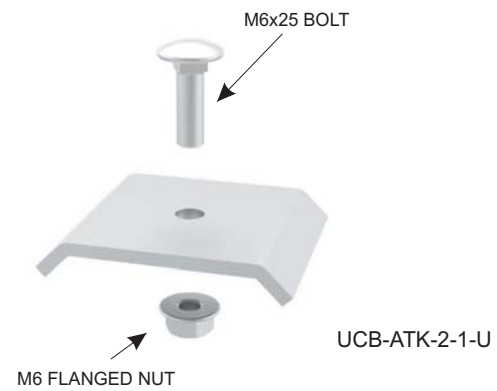
COUPLERS

ORDER CODE	T mm	WEIGHT (kg/pcs) (H.D.G.)	WEIGHT (kg/pcs) (E.G.)	MATERIAL CODE
UCB-ATK-2-1-U	3	0.081	0.077	003377



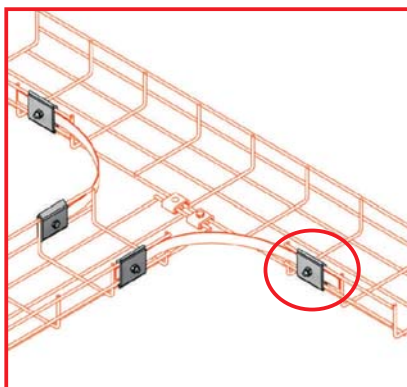
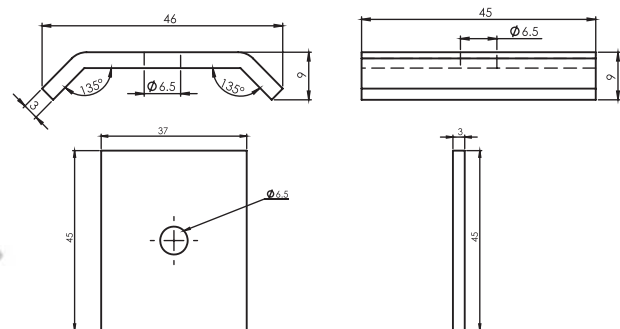
UCB-ATK-2-1-U Connection Example

UCB-ATK-2-1-U



COUPLERS

ORDER CODE	T mm	WEIGHT (kg/pcs) (H.D.G.)	WEIGHT (kg/pcs) (E.G.)	MATERIAL CODE
UCB-ATK-2-2	3	0.078	0.074	003378



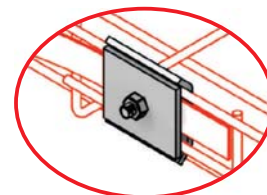
UCB-ATK-2-2 Connection Example

M6x25 BOLT



UCB-ATK-2-2

M6 FLANGED NUT



Material weight tolerance \pm %10