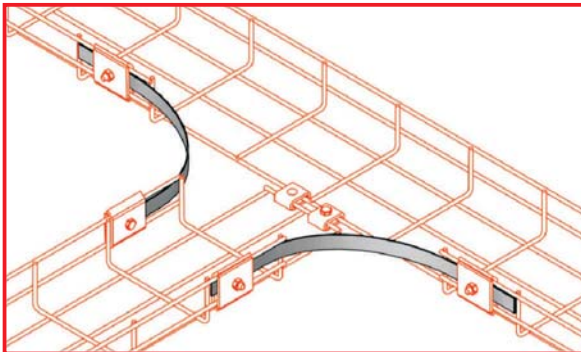
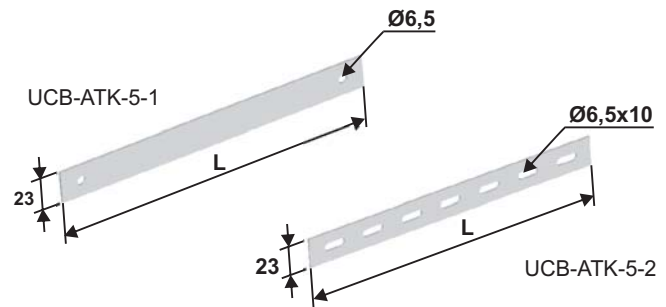
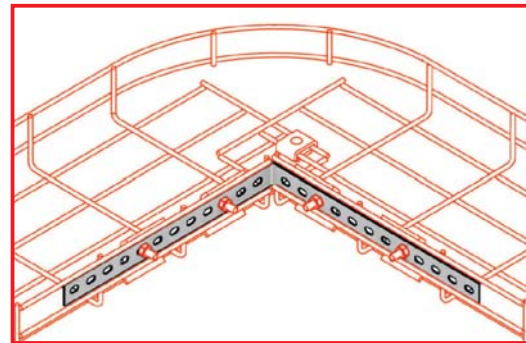


COUPLERS

ORDER CODE	L mm	T mm	WEIGHT (kg/pcs) (H.D.G.)	WEIGHT (kg/pcs) (E.G.)	MATERIAL CODE
UCB-ATK-5-1	370	1.2	0.239	0.228	003381
UCB-ATK-5-2	460	1.2	0.213	0.205	003382



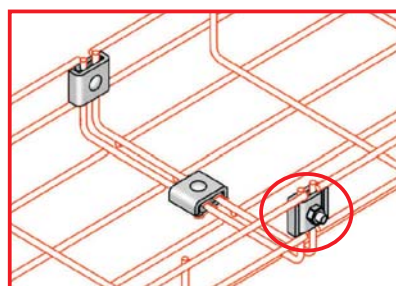
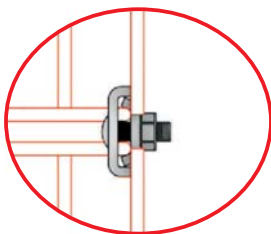
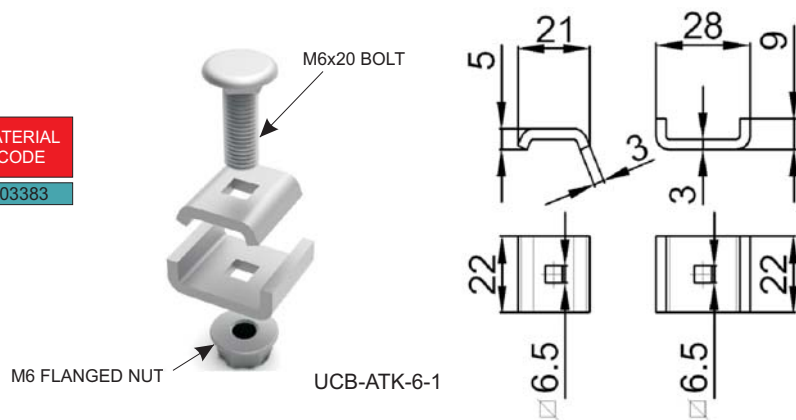
UCB-ATK-5-1 Connection Example



UCB-ATK-5-2 Connection Example

COUPLERS

ORDER CODE	T mm	WEIGHT (kg/pcs) (H.D.G.)	WEIGHT (kg/pcs) (E.G.)	MATERIAL CODE
UCB-ATK-6-1	3	0.039	0.037	003383



UCB-ATK-6-1 Connection Example



UCB-ATK-6-1 Connection Example

Material weight tolerance \pm %10