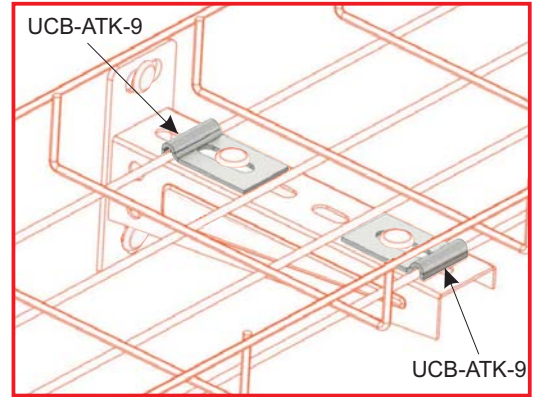
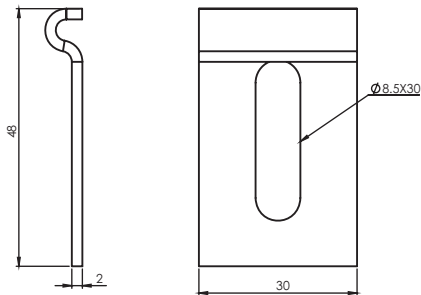
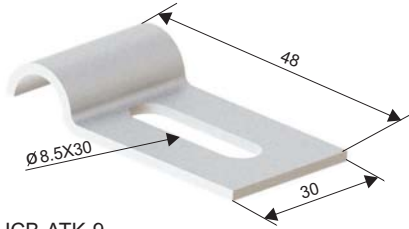


CABLE TRAYS FIXING UNIT

ORDER CODE	H mm	T mm	WEIGHT (kg/pcs) (S.D./H.D.G.)	WEIGHT (kg/pcs) (E.G.)	MATERIAL CODE
UCB-ATK-9	25	2.0	0,028	0,025	003388



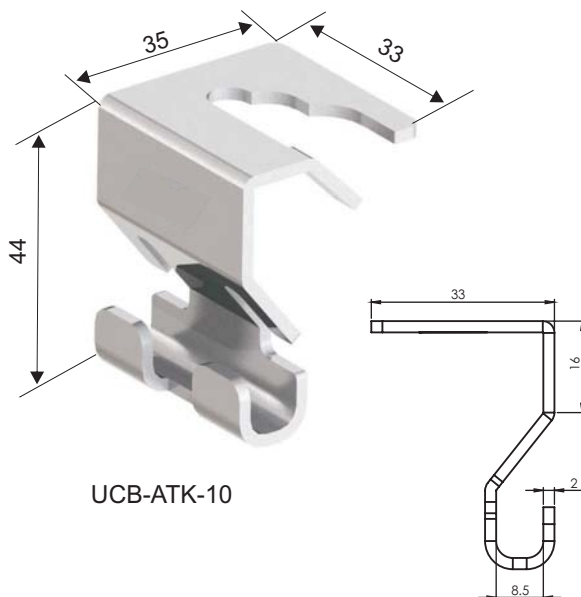
UCB-ATK-9 Connection Example



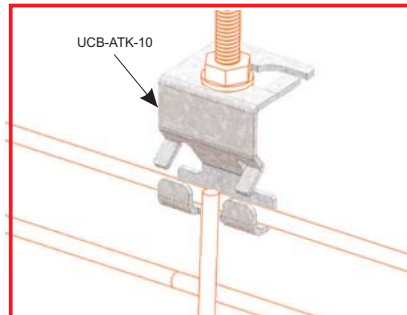
UCB-ATK-9 Connection Example

TRAY CARRIERS FOR USE WITH THREADED ROD

ORDER CODE	H mm	T mm	WEIGHT (kg/pcs) (H.D.G.)	WEIGHT (kg/pcs) (E.G.)	MATERIAL CODE
UCB-ATK-10	25	2.0	0,086	0,079	003391



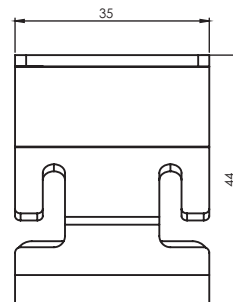
Material weight tolerance \pm %10



UCB-ATK-10 Connection Example



UCB-ATK-10 Connection Example



UCB-ATK-10 Connection Example