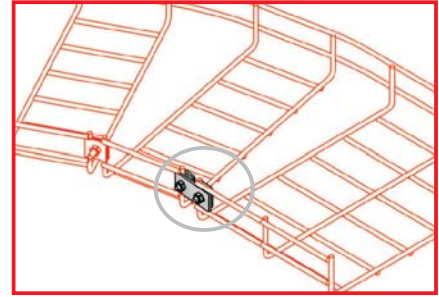
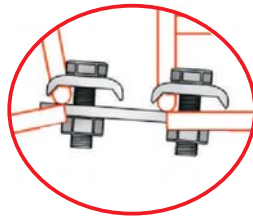
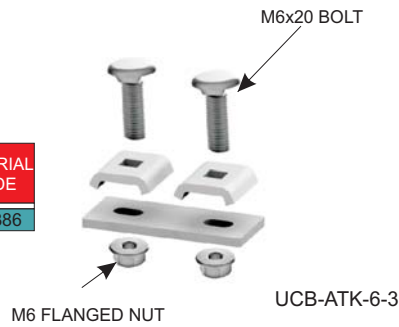
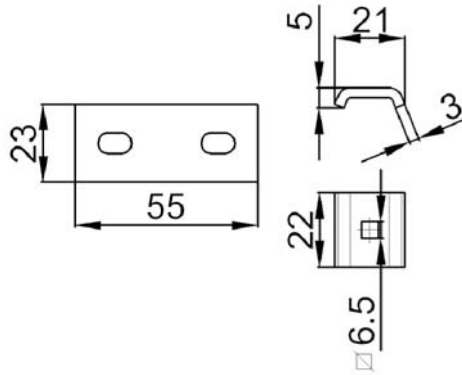
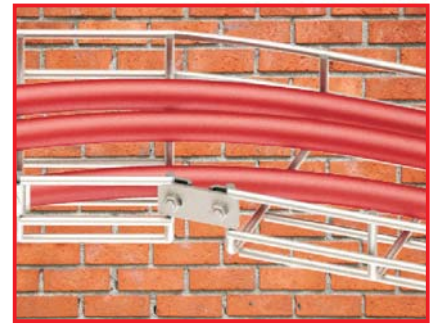


COUPLERS

ORDER CODE	T mm	WEIGHT (kg/pcs) (H.D.G.)	WEIGHT (kg/pcs) (E.G.)	MATERIAL CODE
UCB-ATK-6-3	3	0.068	0.065	003386



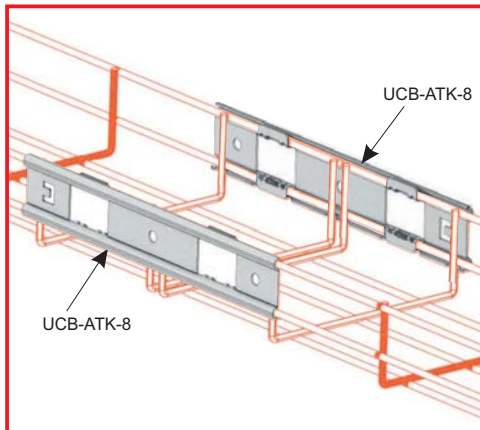
UCB-ATK-6-3 Connection Example



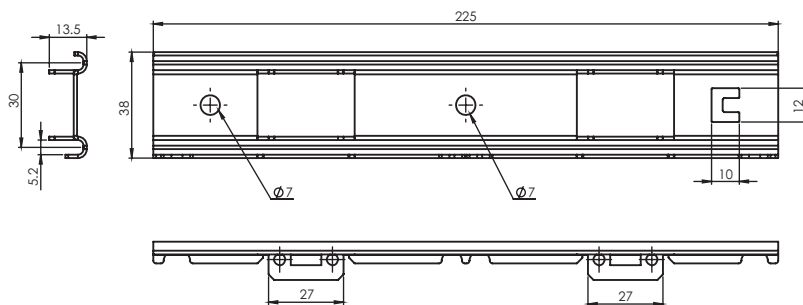
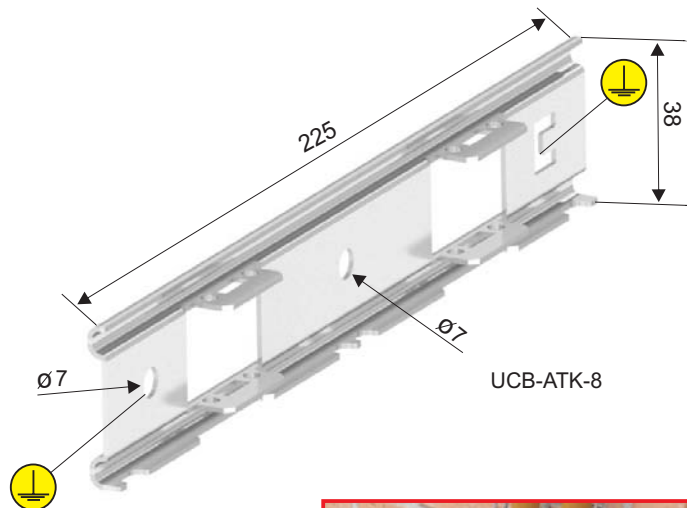
UCB-ATK-6-3 Connection Example

QUICK COUPLERS

ORDER CODE	T mm	WEIGHT (kg/pcs) (H.D.G.)	WEIGHT (kg/pcs) (E.G.)	MATERIAL CODE
UCB-ATK-8	0.9	0.072	0.069	003387



UCB-ATK-8 Connection Example



UCB-ATK-8 Connection Example

Material weight tolerance \pm %10