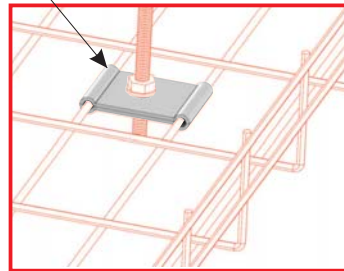


TRAY CARRIERS FOR USE WITH THREADED ROD

ORDER CODE	T mm	WEIGHT (kg/pcs) (H.D.G.)	WEIGHT (kg/set) (E.G.)	MATERIAL CODE
UCB-ATK-11	2.0	0,080	0,076	003389
UCB-ATK-12	2.0	0,080	0,076	003390

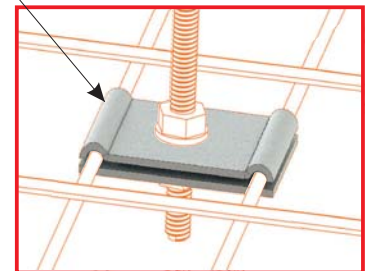
*NOTE: This products consists of two (2) pieces and sold as a set.*

UCB-ATK-11

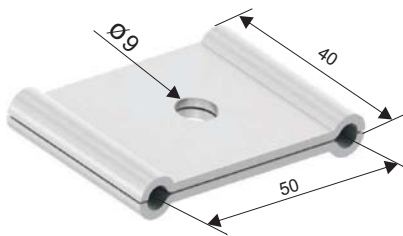


UCB-ATK-11 Connection Example

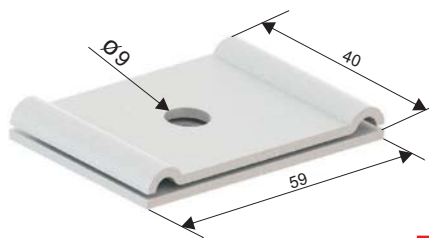
UCB-ATK-12



UCB-ATK-12 Connection Example

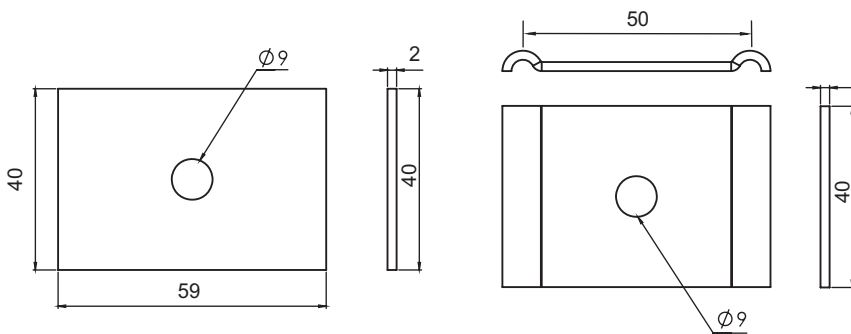


UCB-ATK-11



UCB-ATK-12

Technical details



UCB-ATK-11 Connection Example



UCB-ATK-12 Connection Example