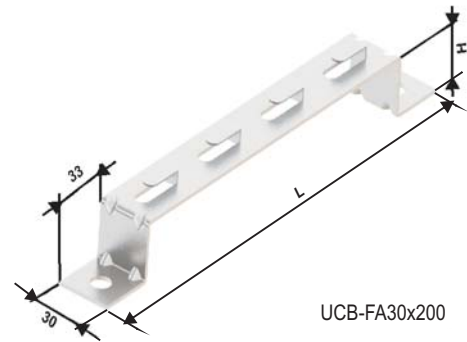
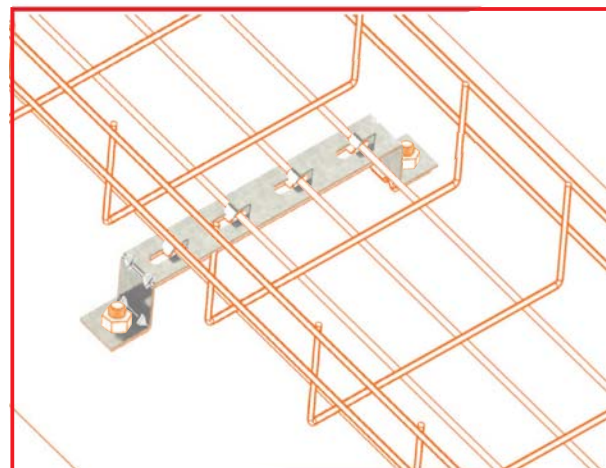
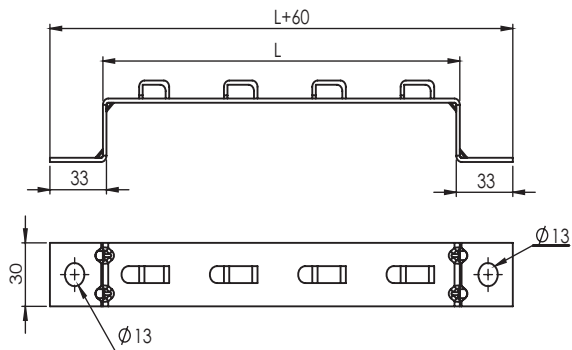


#### FIXING ELEMENT FOR WALL AND FLOOR MOUNTING

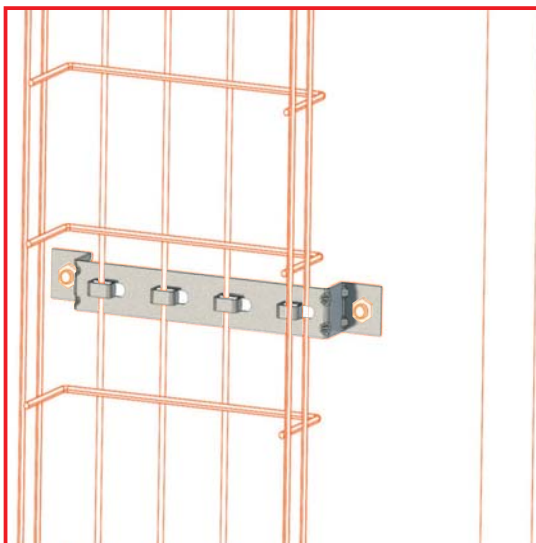
ORDER CODE	L (mm)	H (mm)	T (mm)	WEIGHT (kg/pcs) (H.D.G.)	WEIGHT (kg/pcs) (P.G.)	MATERIAL CODE
UCB-FA30x80	80	30	3,0	0.140	0.135	003408
UCB-FA30x100	100	30	3,0	0.155	0.145	003409
UCB-FA30x160	160	30	3,0	0.200	0.190	003410
UCB-FA30x200	200	30	3,0	0.230	0.220	003411
UCB-FA30x300	300	30	3,0	0.305	0.290	003412
UCB-FA30x400	400	30	3,0	0.380	0.360	003413
UCB-FA30x500	500	30	3,0	0.455	0.430	003414
UCB-FA30x600	600	30	3,0	0.525	0.500	003415
UCB-FA50x80	80	50	3,0	0.170	0.160	003417
UCB-FA50x100	100	50	3,0	0.190	0.180	003418
UCB-FA50x160	160	50	3,0	0.230	0.220	003419
UCB-FA50x200	200	50	3,0	0.260	0.245	003420
UCB-FA50x300	300	50	3,0	0.330	0.315	003421
UCB-FA50x400	400	50	3,0	0.410	0.390	003422
UCB-FA50x500	500	50	3,0	0.480	0.460	003423
UCB-FA50x600	600	50	3,0	0.560	0.530	003424



UCB-FA30x200



UCB-FA floor example



UCB-FA wall example



UCB-FA wall example

Material weight tolerance  $\pm$  %10