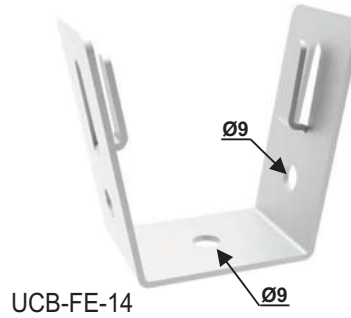
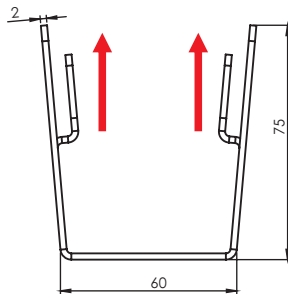
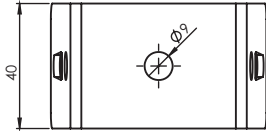


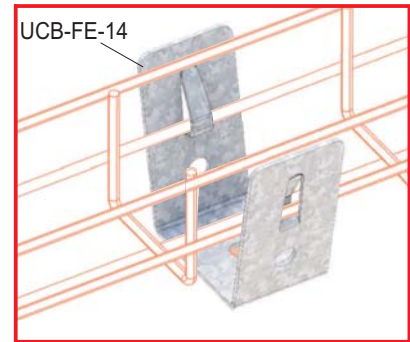
FIXING ELEMENT FOR WALL FLOOR AND THREADED MOUNTING

ORDER CODE	W mm	T mm	H mm	WEIGHT (Kg/Pc) (p.g.)	MATERIAL CODE
UCB-FE-14	60	2.0	75	0,120	0003546

technical details



UCB-FE-14



UCB-FE-14 Connection Example



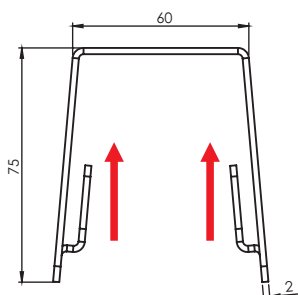
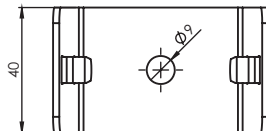
UCB-FE-14 Connection Example



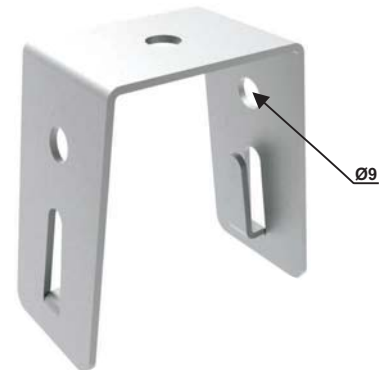
UCB-FE-14 Connection Example

ORDER CODE	W mm	T mm	H mm	WEIGHT (Kg/Pc) (p.g.)	MATERIAL CODE
UCB-FE-15	60	2.0	75	0,120	0003547

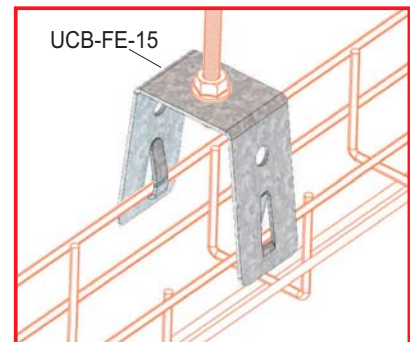
technical details



UCB-FE-15



UCB-FE-15 Connection Example



UCB-FE-15 Connection Example

Material weight tolerance ± %10