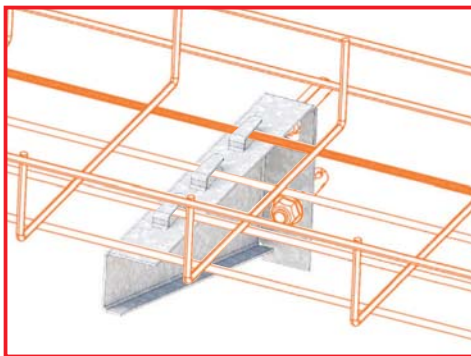
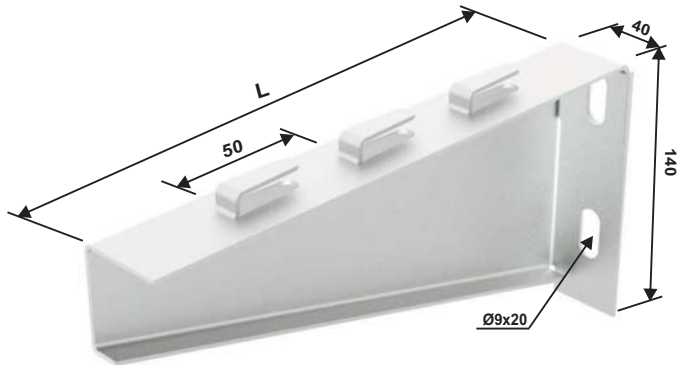


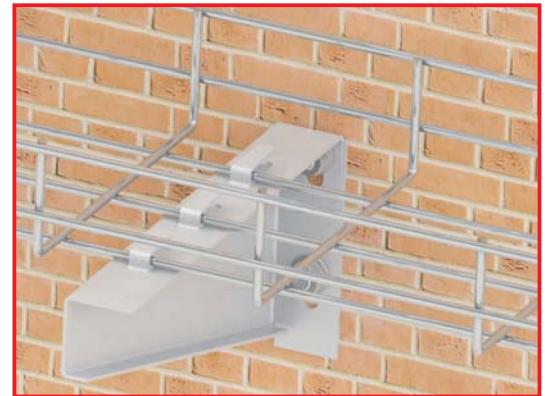
BRACKETS FOR WALL MOUNTING WITHOUT WELDING

| ORDER CODE | L (mm) | T (mm) | WEIGHT (kg/pcs) (H.D.G.) | WEIGHT (kg/pcs) (P.G.) | MATERIAL CODE |
|------------|--------|--------|--------------------------|------------------------|---------------|
| UCB-BWM90 | 90 | 1,5 | 0,095 | 0,090 | 003393 |
| UCB-BWM110 | 110 | 1,5 | 0,150 | 0,140 | 003394 |
| UCB-BWM170 | 170 | 1,5 | 0,315 | 0,300 | 003395 |
| UCB-BWM210 | 210 | 1,5 | 0,375 | 0,355 | 003396 |
| UCB-BWM310 | 310 | 1,5 | 0,440 | 0,415 | 003397 |
| UCB-BWM410 | 410 | 2,0 | 0,810 | 0,770 | 003398 |
| UCB-BWM510 | 510 | 2,0 | 0,985 | 0,935 | 003399 |
| UCB-BWM610 | 610 | 2,0 | 1,210 | 1,150 | 003400 |



UCB-BWM200 Connection Example

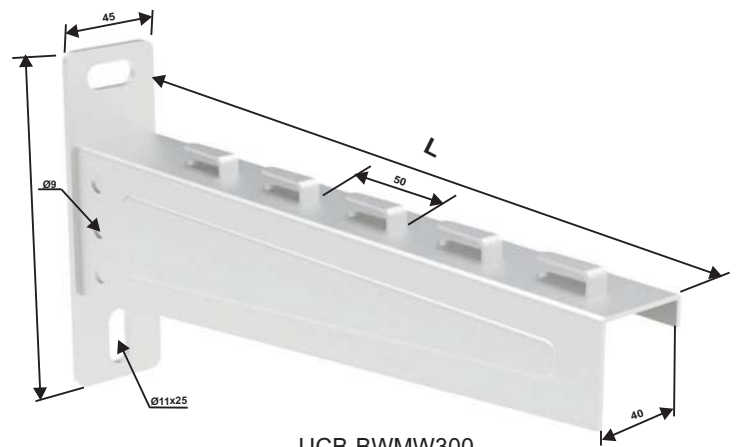
UCB-BWM200



UCB-BWM200 Connection Example

BRACKETS FOR WALL MOUNTING WELDED

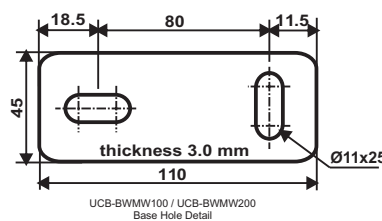
| ORDER CODE | L (mm) | T (mm) | WEIGHT (kg/pcs) (H.D.G.) | WEIGHT (kg/pcs) (P.G.) | MATERIAL CODE |
|-------------|--------|--------|--------------------------|------------------------|---------------|
| UCB-BWMW100 | 100 | 1,5 | 0,230 | 0,220 | 003401 |
| UCB-BWMW200 | 200 | 1,5 | 0,330 | 0,315 | 003402 |
| UCB-BWMW300 | 300 | 1,5 | 0,590 | 0,560 | 003403 |
| UCB-BWMW400 | 400 | 2,0 | 0,925 | 0,880 | 003404 |
| UCB-BWMW500 | 500 | 2,0 | 1,100 | 1,025 | 003405 |
| UCB-BWMW600 | 600 | 2,0 | 1,255 | 1,195 | 003406 |



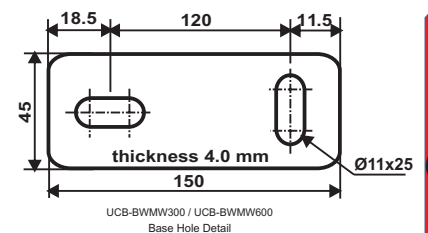
UCB-BWMW300



UCB-BWMW300 Connection Example



UCB-BWMW100 / UCB-BWMW200
Base Hole Detail



UCB-BWMW300 / UCB-BWMW600
Base Hole Detail

Material weight tolerance \pm %10