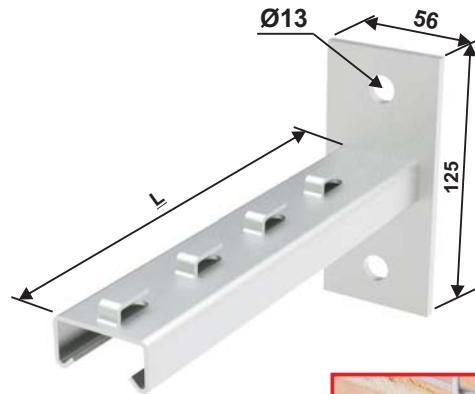
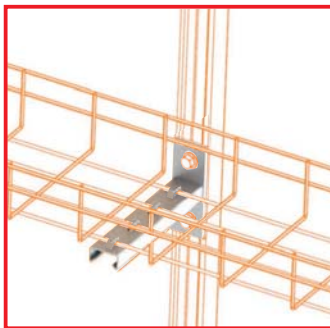


### C SUPPORT BRACKETS

ORDER CODE	L mm	T mm	WEIGHT (kg/pcs) (P.G.)	MATERIAL CODE
UCB-CSB-21-90	90	2,0	0,400	003434
UCB-CSB-21-110	110	2,0	0,430	003435
UCB-CSB-21-170	170	2,0	0,520	003436
UCB-CSB-21-210	210	2,0	0,600	003437
UCB-CSB-21-310	310	2,0	0,730	003438
UCB-CSB-21-410	410	2,0	0,875	003439
UCB-CSB-21-510	510	2,0	1,025	003440
UCB-CSB-21-610	610	2,0	1,180	003441



UCB-CSB-21-210



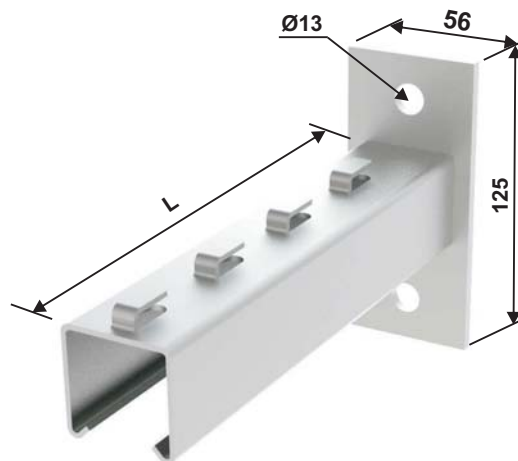
UCB-CSB-21-210 Connection Example



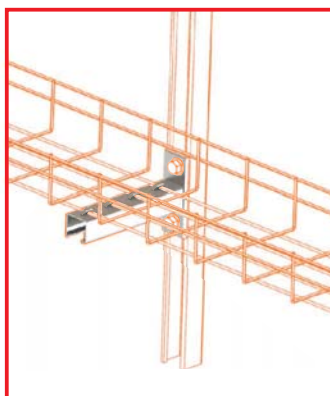
UCB-CSB-21-210 Connection Example

### C SUPPORT BRACKETS

ORDER CODE	L mm	T mm	WEIGHT (kg/pcs) (P.G.)	MATERIAL CODE
UCB-CSB-41-90	90	2,0	0,460	003443
UCB-CSB-41-110	110	2,0	0,500	003444
UCB-CSB-41-170	170	2,0	0,625	003445
UCB-CSB-41-210	210	2,0	0,710	003446
UCB-CSB-41-310	310	2,0	0,925	003447
UCB-CSB-41-410	410	2,0	1,135	003452
UCB-CSB-41-510	510	2,0	1,345	003454
UCB-CSB-41-610	610	2,0	1,560	003455



UCB-CSB-41-210



UCB-CSB-41-210 Connection Example



UCB-CSB-41-210 Connection Example

Material weight tolerance  $\pm$  %10