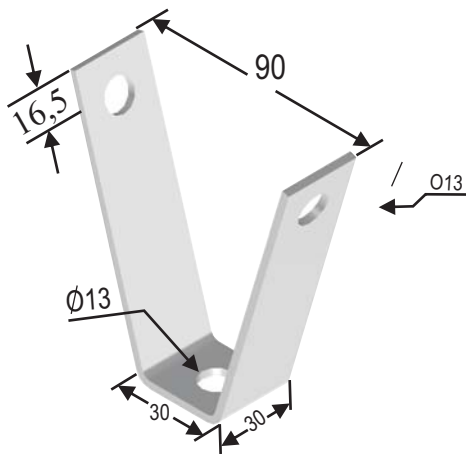
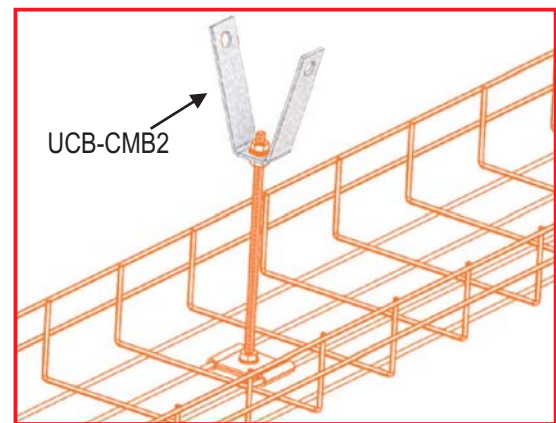


BRACKET FOR CEILING MOUNTING FOR USE WITH THREADED ROD

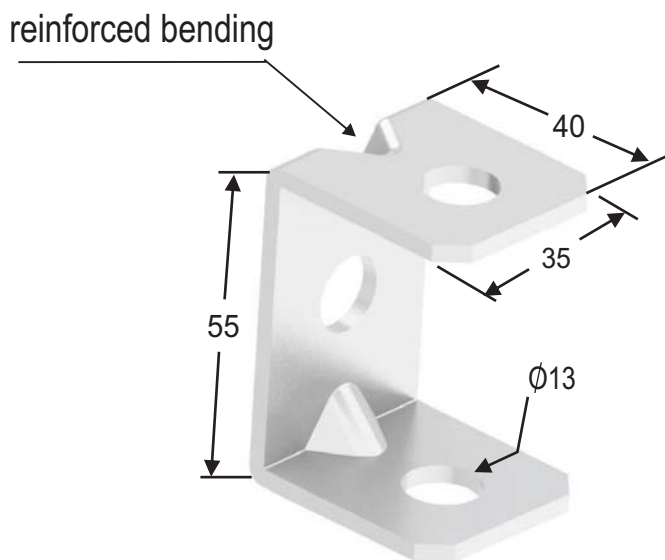
ORDER CODE	T mm	WEIGHT (Kg/Pc) (p.g.)	MATERIAL CODE
UCB-CMB1	3.00	0,095	003469
UCB-CMB2	3.00	0,155	003470



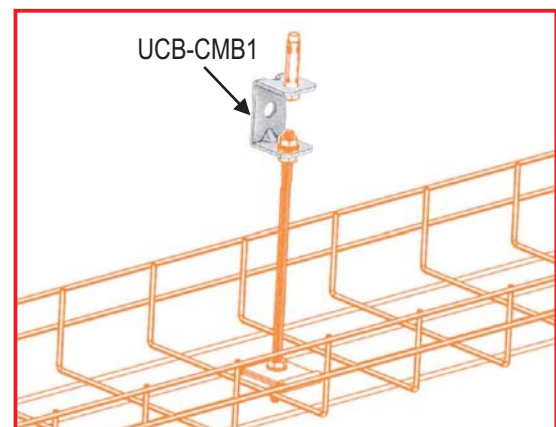
UCB-CMB2



UCB-CMB2 Connection Example



UCB-CMB1



UCB-CMB1 Connection Example

Material weight tolerance \pm %10