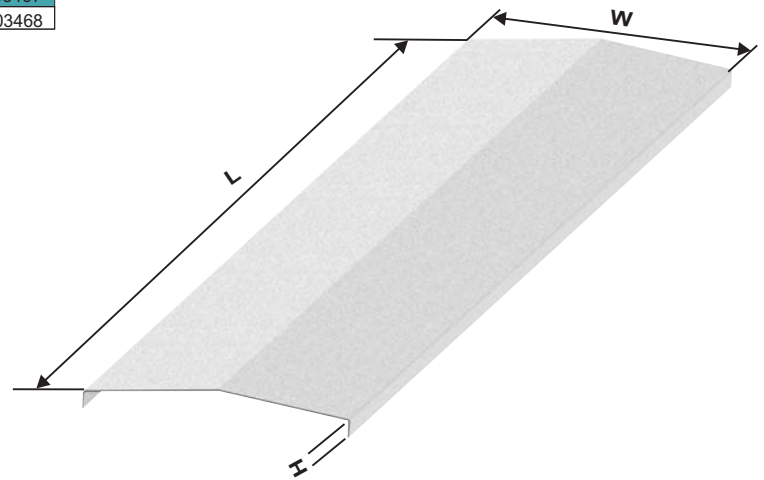
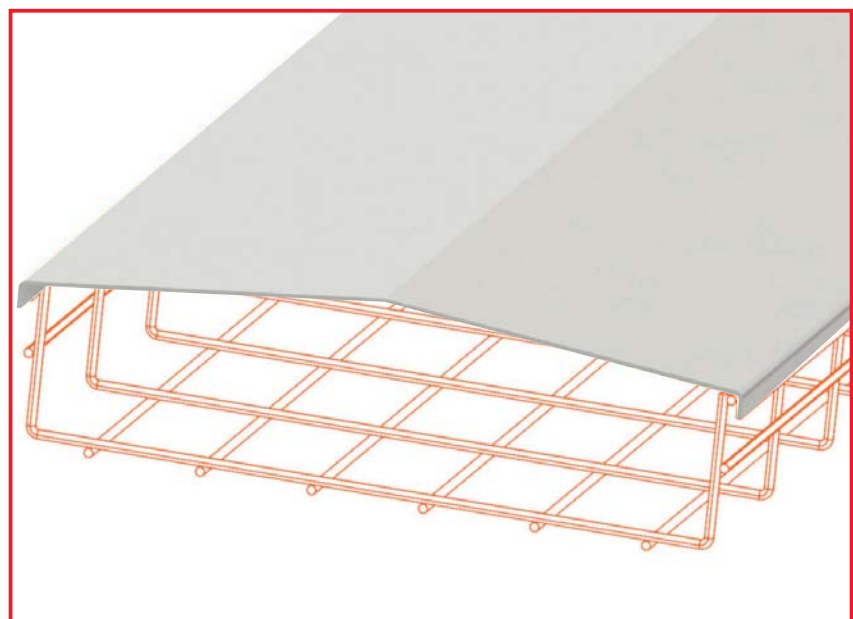


WIRESH CABLETRAYS COVERS

ORDER CODE	W mm	H mm	T mm	L mm	WEIGHT (kg/m) (S.D./H.D.G.)	WEIGHT (kg/m) (P.G.)	MATERIAL CODE
UCB-TL50	50	10	1,0	3000	0,708	0,648	003457
UCB-TL80	80	10	1,0	3000	0,894	0,817	003458
UCB-TL100	100	10	1,0	3000	1,147	1,047	003459
UCB-TL150	150	10	1,0	3000	1,586	1,447	003460
UCB-TL160	160	10	1,0	3000	1,674	1,527	003461
UCB-TL200	200	10	1,0	3000	2,025	1,847	003462
UCB-TL250	250	10	1,0	3000	2,464	2,246	003463
UCB-TL300	300	10	1,5	3000	4,191	3,934	003464
UCB-TL350	350	10	1,5	3000	4,826	4,529	003465
UCB-TL400	400	10	1,5	3000	5,494	5,157	003466
UCB-TL500	500	10	1,5	3000	6,764	6,349	003467
UCB-TL600	600	10	1,5	3000	8,035	7,541	003468



UCB-TL300



UCB-TL300 Connection example

Material weight tolerance \pm %10