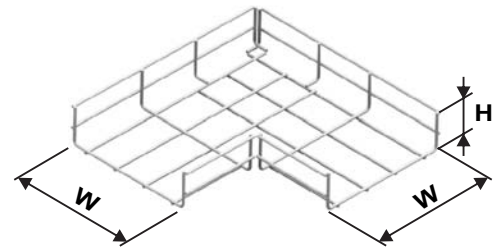


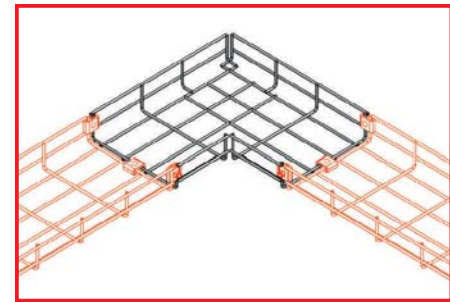
### HORIZONTAL BENDS 90° (H:50)

E.G.: ELECTRO-GALVANISED

ORDER CODE	W mm	H mm	ØD mm	WEIGHT (kg/pcs) (H.D.G.)	WEIGHT (kg/pcs) (E.G.)	MATERIAL CODE
UCB-HB50x50	50	50	4	0,170	0,161	003302
UCB-HB50x100	100	50	4	0,323	0,307	003303
UCB-HB50x200	200	50	4	0,614	0,583	003304
UCB-HB50x300	300	50	4	0,988	0,937	003305
UCB-HB50x400	400	50	4	1,445	1,371	003306
UCB-HB50x500	500	50	4	1,985	1,883	003307
UCB-HB50x600	600	50	4	2,610	2,476	003308



UCB-HB50x200

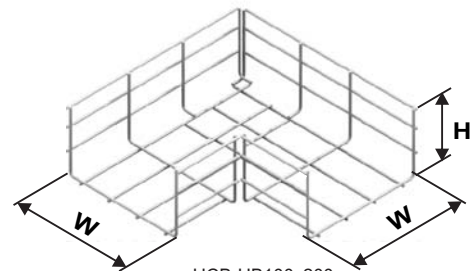


UCB-HB50x200 Connection Example

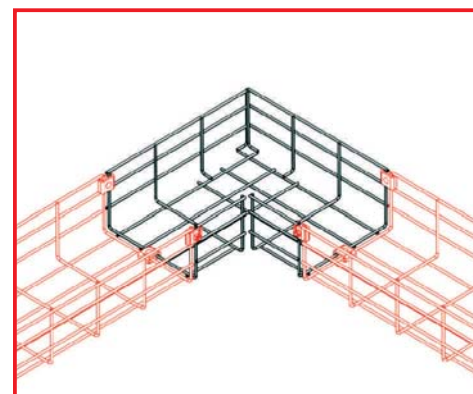
### HORIZONTAL BENDS 90° (H:100)

E.G.: ELECTRO-GALVANISED

ORDER CODE	W mm	H mm	ØD mm	WEIGHT (kg/pcs) (H.D.G.)	WEIGHT (kg/pcs) (E.G.)	MATERIAL CODE
UCB-HB100x100	100	100	4	0,447	0,424	003309
UCB-HB100x200	200	100	4	0,769	0,729	003310
UCB-HB100x300	300	100	4	1,173	1,113	003311
UCB-HB100x400	400	100	4	1,661	1,576	003312
UCB-HB100x500	500	100	4	2,233	2,119	003313
UCB-HB100x600	600	100	4	2,891	2,742	003314



UCB-HB100x200



UCB-HB100x200 Connection Example