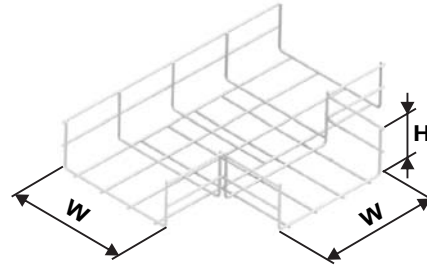


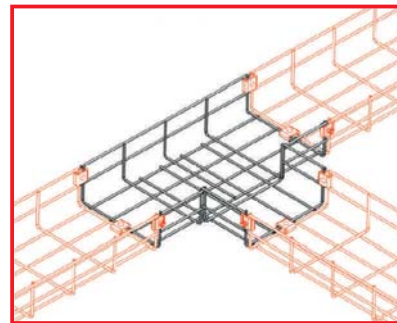
HORIZONTAL TEES (H:50)

E.G.: ELECTRO-GALVANISED

ORDER CODE	W mm	H mm	ØD mm	WEIGHT (kg/pcs) (H.D.G.)	WEIGHT (kg/pcs) (E.G.)	MATERIAL CODE
UCB-HT50x50	50	50	4	0,196	0,186	003315
UCB-HT50x100	100	50	4	0,373	0,354	003316
UCB-HT50x200	200	50	4	0,656	0,622	003317
UCB-HT50x300	300	50	4	1,023	0,970	003318
UCB-HT50x400	400	50	4	1,472	1,396	003319
UCB-HT50x500	500	50	4	2,005	1,902	003320
UCB-HT50x600	600	50	4	2,623	2,488	003321



UCB-HT50x100

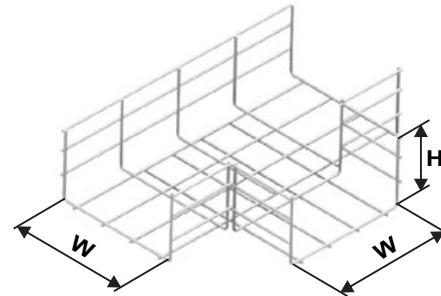


UCB-HT50x100 Connection Example

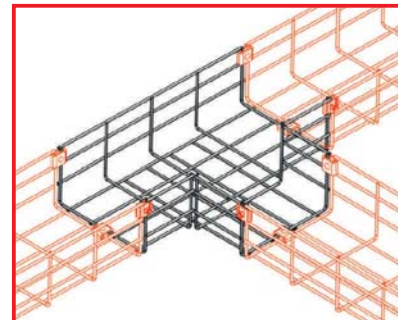
HORIZONTAL TEES (H:100)

E.G.: ELECTRO-GALVANISED

ORDER CODE	W mm	H mm	ØD mm	WEIGHT (kg/pcs) (H.D.G.)	WEIGHT (kg/pcs) (E.G.)	MATERIAL CODE
UCB-HT100x100	100	100	4	0,512	0,486	003322
UCB-HT100x200	200	100	4	0,811	0,769	003323
UCB-HT100x300	300	100	4	1,192	1,131	003324
UCB-HT100x400	400	100	4	1,657	1,572	003325
UCB-HT100x500	500	100	4	2,206	2,093	003326
UCB-HT100x600	600	100	4	2,840	2,694	003327



UCB-HT100x200



UCB-HT100x200 Connection Example

Material weight tolerance \pm %10