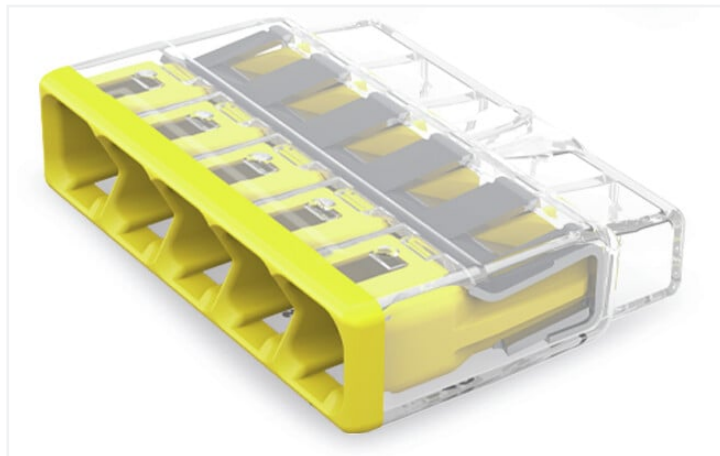


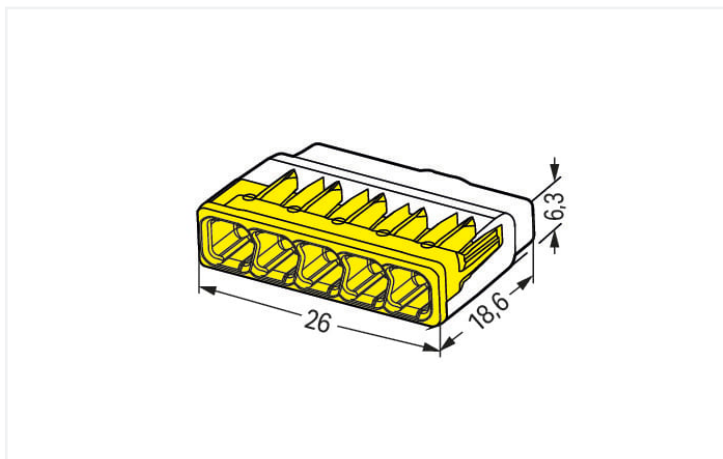
Data Sheet | Item Number: 2773-405

COMPACT splicing connector; for solid and stranded conductors; max. 4 mm²; 5-conductor; transparent housing; yellow cover; Surrounding air temperature: max 85°C (T85); 4,00 mm²; transparent

<https://www.wago.com/2773-405>



Color: transparent



Dimensions in mm

Advantages:

- Convenient wiring via extremely compact design
- Push-in termination of up to eight solid and stranded conductors
- Conductor range: 0.75 ... 4 mm² "s" and 1.5 ... 4 mm² "st"
- Any combination of conductor sizes is possible
- PUSH WIRE® connection terminates solid ("s+str") copper conductors

Electrical data

| Ratings per | IEC/EN 60998 | | |
|----------------------|--------------|-----|-------|
| Overvoltage category | III | III | II |
| Pollution degree | 3 | 2 | 2 |
| Nominal voltage | - | - | 450 V |
| Rated surge voltage | - | - | 4 kV |
| Rated current | - | - | 32 A |

| Approvals per | UL 486C | | |
|---------------|---------|-------|---|
| Use group | B | C | D |
| Rated voltage | - | 600 V | - |
| Rated current | - | 20 A | - |

Connection data

| | |
|----------------------------|---|
| Connection points | 5 |
| Total number of potentials | 1 |

Connection 1

| | |
|---------------------------------|--------------------------------------------|
| Connection technology | PUSH WIRE® |
| Actuation type | Push-in |
| Connectable conductor materials | Copper |
| Solid conductor | 0.75 ... 4 mm ² / 20 ... 12 AWG |
| Stranded conductor | 1.5 ... 4 mm ² / 18 ... 12 AWG |
| Conductor diameter | 1.6 ... 2 mm / 20 ... 12 AWG |
| Strip length | 13 mm / 0.51 inches |
| Wiring direction | Side-entry wiring |

Physical data

| | |
|--------|------------------------|
| Width | 26 mm / 1.024 inches |
| Height | 6.3 mm / 0.248 inches |
| Depth | 18.6 mm / 0.732 inches |

Material data

| | |
|-----------------------------|--------------------------------------------------------------------------------------------------------------------------------------|
| Note (material data) | Information on material specifications can be found here |
| Color | transparent |
| Cover color | yellow |
| Material group | IIIa |
| Insulation material | Polycarbonate (PC) |
| Flammability class per UL94 | V2 |
| Fire load | 0.02 MJ |
| Weight | 2.6 g |

Environmental requirements

| | |
|----------------------------------|-----------------|
| Ambient temperature (operation) | +85 °C |
| Processing temperature | -35 ... +60 °C |
| Continuous operating temperature | -40 ... +105 °C |
| Temperature marking per EN 60998 | T85 |

Commercial data

| | |
|-----------------------|---------------|
| ETIM 8.0 | EC000446 |
| ETIM 7.0 | EC000446 |
| PU (SPU) | 600 (60) pcs |
| Packaging type | Box |
| Country of origin | DE |
| GTIN | 4055143919241 |
| Customs tariff number | 85369010000 |

| Environmental Product Compliance | |
|----------------------------------|-------------------------|
| RoHS Compliance Status | Compliant, No Exemption |

Approvals / Certificates

| General approvals | | | Declarations of conformity and manufacturer's declarations | | |
|-----------------------------------------------------|-----------|------------------|------------------------------------------------------------|----------|------------------|
| | | | | | |
| Approval | Standard | Certificate Name | Approval | Standard | Certificate Name |
| CB DEKRA Certification B.V. | IEC 60998 | NL-86543 | EU-Declaration of Confor- mity WAGO GmbH & Co. KG | - | - |
| ENEC 05 DEKRA Certification B.V. | EN 60998 | 71-127515 | UK-Declaration of Confor- mity WAGO GmbH & Co. KG | - | - |
| KEMA/KEUR DEKRA Certification B.V. | EN 60669 | 71-101844 | | | |
| UL_Listed_667F Underwriters Laboratories Inc. | UL 486C | E69654 | | | |
| UL Underwriters Laboratories Inc. | UL 467 | 20180215-E201573 | | | |

1 Compatible Products

1.1 Optional Accessories

1.1.1 General accessories

1.1.1.1 Moisture protection



Item No.: 207-1332
Gelbox; Branch; for cables; with gel; 221, 2x73 Series; max. 4 mm² connectors; without splicing connectors; Size 2; gray

1.1.2 Mounting adapter

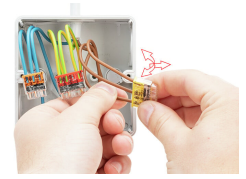
1.1.2.1 Mounting accessories



Item No.: 2773-500
Mounting carrier; for single- and double-row con.; 2773 Series; for DIN-35 rail mounting/screw mounting; orange

Installation Notes

Conductor termination

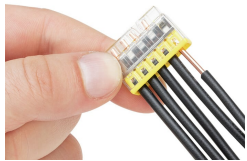


Strip solid or stranded conductor to 13 mm (0.51 inch).

The transparent housing shows if conductors are fully inserted; within the colored base, a clear port shows if the conductor's strip length is correct. Conductors are correctly stripped if the clear port shows no bare conductor on the unprinted connector side. Picture shows center conductor with exceeded strip length.

Termination: Insert the stripped conductor until it hits the backstop.

Removal: Hold solid conductor to be removed and twist alternately left and right while pulling the connector.



Solid conductors are inserted into the connector by simply pushing them in.

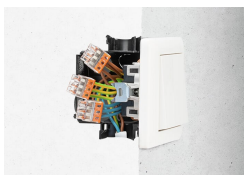
Stranded conductors are inserted into the connector by simply pushing them in.

Testing



Testing via test port opposite to conductor entry.

Application



Thanks to their flat and compact design, these connectors are ideal for wiring in flush-mount switch boxes.



With six variants, always have the right connector.

Subject to changes. Please also observe the further product documentation!

Current addresses can be found at: www.wago.com