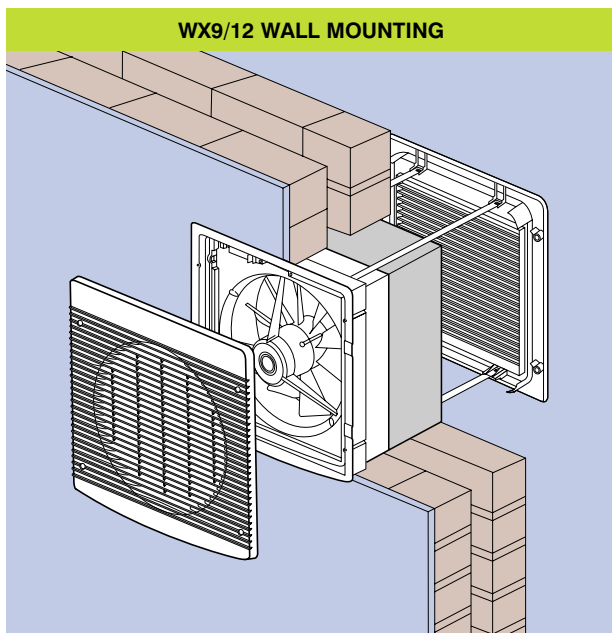
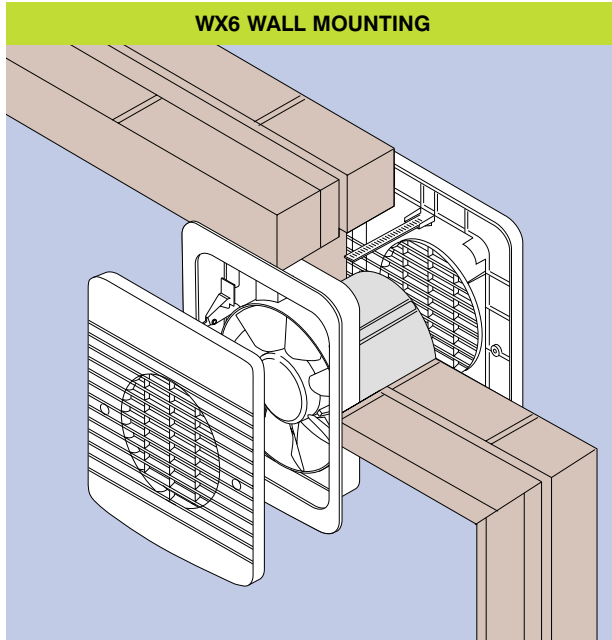


Installation:



Wiring:

