

# Zip Hydroboil<sup>®</sup>

Filtered instant boiling water



- 01552 Zip Hydroboil 1.5 Litre White
- 01551 Zip Hydroboil 1.5 Litre Stainless Steel
- 03552 Zip Hydroboil 3 Litre White
- 03551 Zip Hydroboil 3 Litre Stainless Steel
- 05552 Zip Hydroboil 5 Litre White
- 05551 Zip Hydroboil 5 Litre Stainless Steel
- 07552 Zip Hydroboil 7.5 Litre White
- 07551 Zip Hydroboil 7.5 Litre Stainless Steel

**Zip<sup>®</sup>**  
Instant Boiling Water



## Contents

Read These Warnings First . . . . .	4
Installation Requirements . . . . .	4
Installation Procedures . . . . .	5
Step 1 – Positioning . . . . .	5
Step 2 – Fastening . . . . .	5
Step 3 – Connecting . . . . .	6
a) Plumbing . . . . .	6
b) Venting . . . . .	6
c) Electrical . . . . .	6
Step 4 – Assembling . . . . .	6
Step 5 – Commissioning . . . . .	6
Wall Mounting Template Dimensions & Electrical Diagram . . . . .	7
Problem Solving . . . . .	8
Earthing Continuity Verification . . . . .	8
Operating Procedures . . . . .	9
Spare Parts . . . . .	10
Contact Details . . . . .	12

## Read These Warnings First



Please read all installation requirements, installation procedures and precautions before installing any Zip Hydroboil instant boiling water heater.

Never attempt to install any Zip Hydroboil instant boiling water heater without reading all of the applicable instructions.

In some hard water areas where mineral scale accumulation in the boiling chamber of the Zip Hydroboil may become a problem, consideration should be given to the maintenance required. A suitable form of water treatment may be necessary.

All plumbing connections must be made in accordance with local regulations.

The Zip Hydroboil instant boiling water heater is not intended for use by young children or infirm people without supervision.

Young children should be prevented from having access to ensure that they are not able to use or play with the heater.

If the installation site is located more than 1000 metres above sea level, the installer should contact a Zip authorised agent for high altitude settings.

This appliance must be earthed. If the power supply cord is damaged it must be replaced by a Zip authorised agent or a qualified electrician.

Do not remove the cover of the heater under any circumstances without first isolating the heater from the power supply.

Do not use strong, corrosive or abrasive cleaners to clean the case of the heater.

Frost protection: If this heater is located where ambient air temperature could fall below 5°C when the heater is not in use, do not turn off the appliance electrically. This safeguard does not offer the same protection to the connecting pipework and fittings.

The ambient temperatures this unit should operate with is 5°C - 50°C.

This heater is intended only for indoor use and should never be installed outdoors or be exposed to the elements of nature.

This unit must not be positioned in an area that may be cleaned by a water jet. This unit must not be cleaned by a water jet.

## Installation Requirements

Before installing, ensure that the following are available:

- a) Sufficient space to position the heater so there is at least 150 mm clearance above the heater for service access, 65 mm to its left and 20 mm to its right – the tap outlet usually should be positioned at least 200 mm above a draining board or drip tray.
- b) Standard 13 amp fused spur power outlet positioned as shown on the paper mounting template for connection from the rear of the heater to the terminal block within the heater, OR a standard 13 amp double pole fused spur power outlet on the wall within 1500 mm of the heater. For units with 3.6 Kw element (25 ltr) or multi element units (40 ltr) an isolating switch in the fixed wiring and attached to a secure surface is required. This switch must provide all -pole disconnection and a contact separation of at least 3 mm installed in accordance with wiring rules.

## Installation Requirements continued

c) Cold water supply with a minimum working pressure of 1 bar (100 kPa) and a maximum working pressure of 7 bar (700 kPa) connected via an isolation valve.

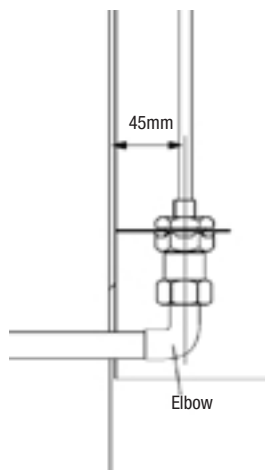
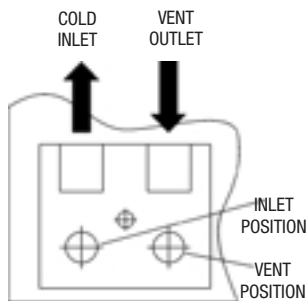
d) Outlet drainage to a sink draining board or to a drip tray.

e) Access to drainage from a vent situated at the base of the heater.

If the water pressure is likely to exceed 7 bar (700 kPa), a 3.5 bar (350 kPa) pressure reducing valve must be installed in the cold water supply line.

f) In all installation instances the walls of the heater must be vertical and the base horizontal, there can be no exceptions to this rule.

## Installation Procedures



### Approximate Weight When Filled

1.5 Litre models	10 kg
3.0 Litre models	12.5 kg
5.0 Litre models	16.5 kg
7.5 Litre models	20.5 kg

### Before You Begin

Locate the paper mounting-hole template packed with the heater.

Read the installation and operating instructions completely.

Decide whether to install with concealed or exposed plumbing and/or electrical connections. Concealed connections are preferred for superior appearance.

### Step 1 – Positioning

Position the heater so the tap will drain on to a draining board or drip tray.

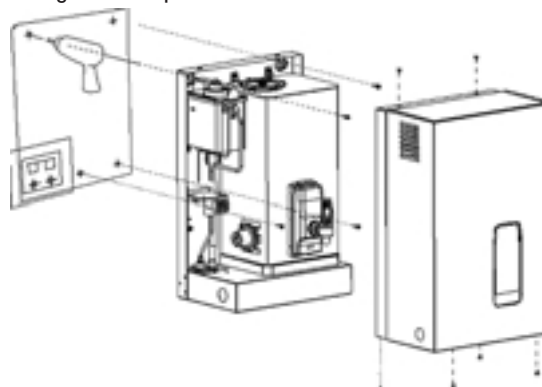
Position the base of the tap to be not less than 200 mm above the draining board (height should be increased only if essential for filling larger vessels).

Provide clearance for service access of not less than 150 mm top, 65 mm left, 20 mm right.

Mark corner positions for the heater on the wall so as to position the paper mounting-hole template.

### Step 2 – Fastening

Position mounting-hole template on wall and drill holes where shown.



Drill holes for water inlet, vent outlet and wiring if rear access is intended.

Remove cover fastening screws from heater and lift whole cover off heater.

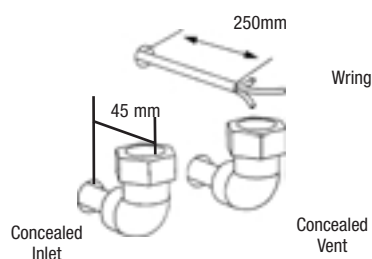
Install plumbing and wiring and prepare pipe ends and wiring ends as shown.

Screw heater chassis to the wall using screws or bolts suited to the wall.

Screws or bolts must be capable of supporting the heater weight when filled.

## Step 3 – Connecting

### a) Plumbing



For exposed plumbing connection, connect the cold water inlet pipe from the base of the heater directly to the 15 mm or half-inch compression fittings with the nuts and olives provided.

For concealed plumbing connections, connect the cold water pipe through the rear of the chassis using a 15 mm or half-inch capillary elbow.

Cold water pipes must be flushed before connection to the inlet. Any clogging due to sediment or fines will adversely affect the operation of the heater.

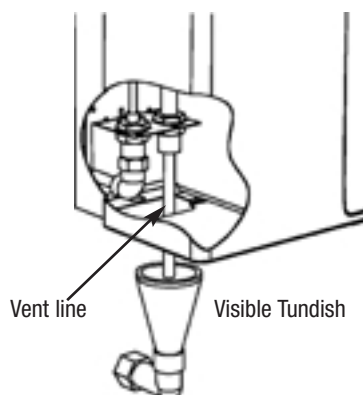
It is recommended that the heater be installed with a stop cock which allows it to be isolated from the mains supply for servicing.

#### Water pressure requirements:

Minimum - 1.0 bar, (100 kPa) maximum - 7 bar (1000 kPa).

Warning: If pressure is likely to exceed 7 bar, a pressure limiting valve must be installed in the cold water supply line. Zip recommends a valve rated at 3.5 bar (350 kPa) for this application.

### b) Venting



A vent at the base of the heater must be plumbed to a safe visible location as, under certain conditions, it may discharge cold or boiling water and/or steam.

For exposed vent plumbing, connect vent outlet from the base of heater to a 15 mm or half inch OD pipe which has a continuous fall, is no more than 3 metres long, has no more than 3 right angle bends, and discharges to a waste water drain.

For concealed vent plumbing, connect plumbing to the vent outlet from the heater rear using a capillary elbow protruding 45 mm from the wall.

Alternatively attach a tun dish to the wall as shown and plumb away to waste.

### d) Electrical

For concealed electrical connection, connect a power cable through the rear access opening of the heater to the terminal block within the heater as shown.

For exposed electrical connection, connect a flex to a standard 13 amp double pole fused spur power outlet on the wall within 1500 mm of the heater.

All isolation switches must have a contact separation of at least 3 mm in all poles.

**Do not turn the power ON until the heater is filled with water.**

## Step 4 – Assembling

Place the heater case back on to the heater and secure the top 2 case screws. Secure two bottom case screws.

## Step 5 – Commissioning

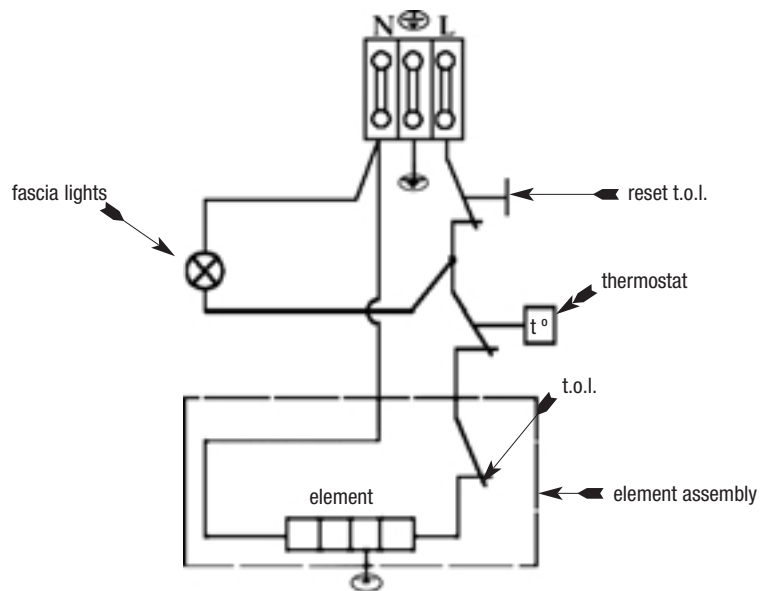
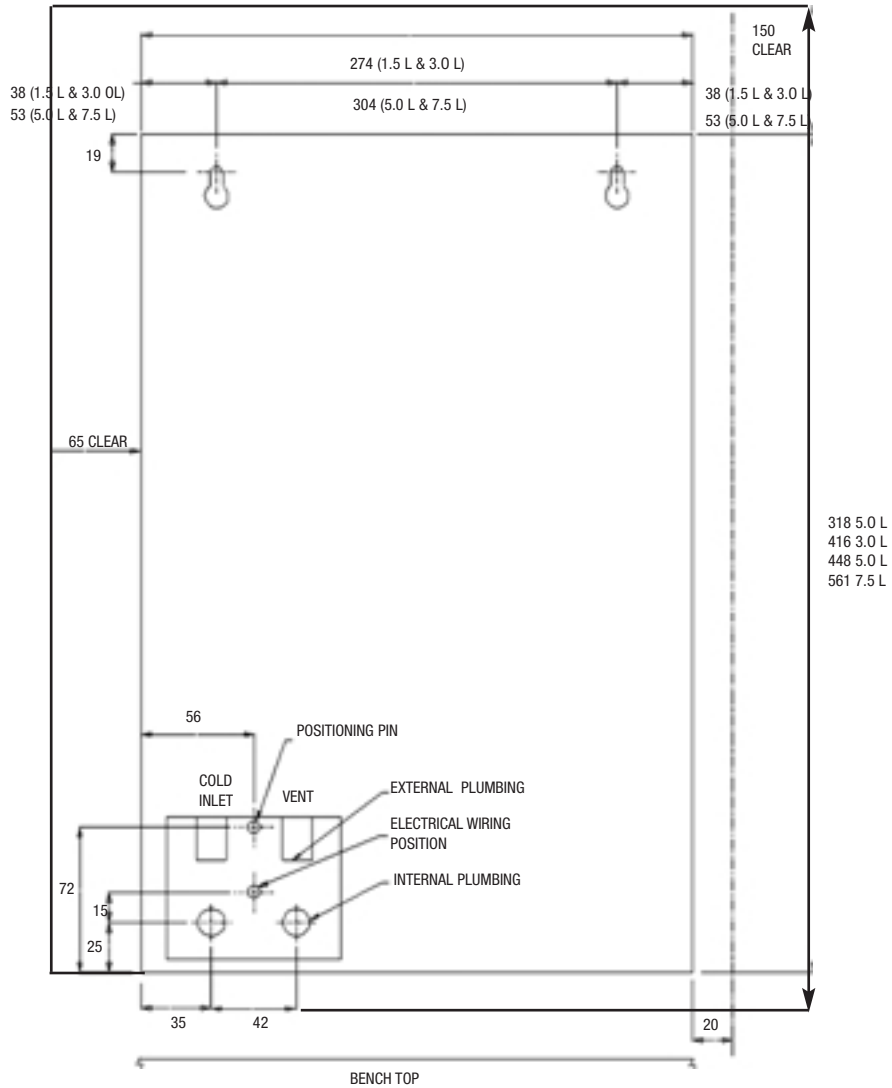
Check previous steps. Turn water supply ON. Water is now flowing into heater, check connections for leaks. Wait approximately 5 minutes and check outlet tap for water. This is achieved by pulling the tap handle forward.

**Power is only to be turned on when water is available from this outlet.**

Turn power ON. After a short period, boiling water will be available and will be maintained close to boiling point thereafter. Initial heating periods are shown in the table on the left.

Inlet water temperature	15°C	10°C
1.5 Litre models	10 min	11 min
3.0 Litre models	16 min	17 min
5.0 Litre models	16 min	17 min
7.5 Litre models	23 min	24 min

## Wall Mounting Template Dimensions & Electrical Diagram

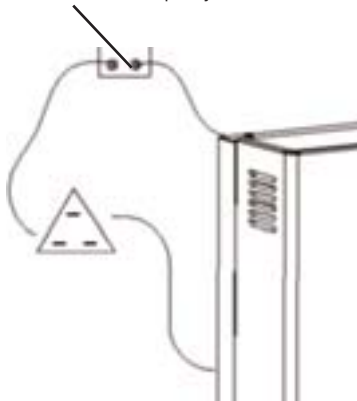


## Problem Solving

Sympton	Possible Cause	Solution
Fails to dispense water.	Water isolating valve turned off. Blocked filter, blocked meter tube, blocked strainer, jammed ball valve assy, airlock in transfer tube.	Check water supply valve. Contact Zip authorised agent.
Water not boiling.	No power. Faulty thermostat, faulty element, faulty cutout.	Check power supply. Contact Zip authorised agent.
Runs out of boiling water and fails to refill. Outlet tap drips. Overflow from vent. Excessive steam from vent. Power "on" but no heat. Overload repeatedly tripping with excessive steam. Overload repeatedly tripping without excessive steam.	Internal adjustment.	Contact Zip athorised agent.

## Earthing Continuity Verification

If required, an earth continuity test can be performed by testing between the earth pin on the products lead and a exposed piece of metal on the case and the tap body.



### **Warning: this appliance must be earthed.**

Following remedial service the earthing continuity of the heater must be checked by a qualified technician using an appliance tester, or continuity tester of accuracy Class 5 or better. Class 5 denotes an accuracy of 5% full scale deflection.

1. Isolate power supply.
2. Set meter to 0 ohm with leads connected together.
3. Connect one test lead to the earth pin on the three pin plug.
4. Connect the other test lead to a bare patch of metal (preferably on the edge) of the top of the cover, then to the front cover of the unit, and then to the tap top under the plastic paddle. This can be achieved by inserting the probe up from behind the paddle without losing water.

**Warning-** the water may be boiling - show extra care.

5. Test that in every instance the electrical resistance does not exceed 1 ohm.



## Operating Procedures



### Tap Operation

#### Boiling water

Zip Hydroboil is fitted with a two-way cool-touch safety tap for filtered instant boiling water.

For instant boiling water, gently pull the top of the tap forward.

Boiling water will flow until the tap handle is released.

This operation gives fingertip flow control for safe filling of cups and mugs.

To fill larger vessels such as teapots and saucepans, rotate the tap 180 degrees and depress it until it locks into a horizontal position.

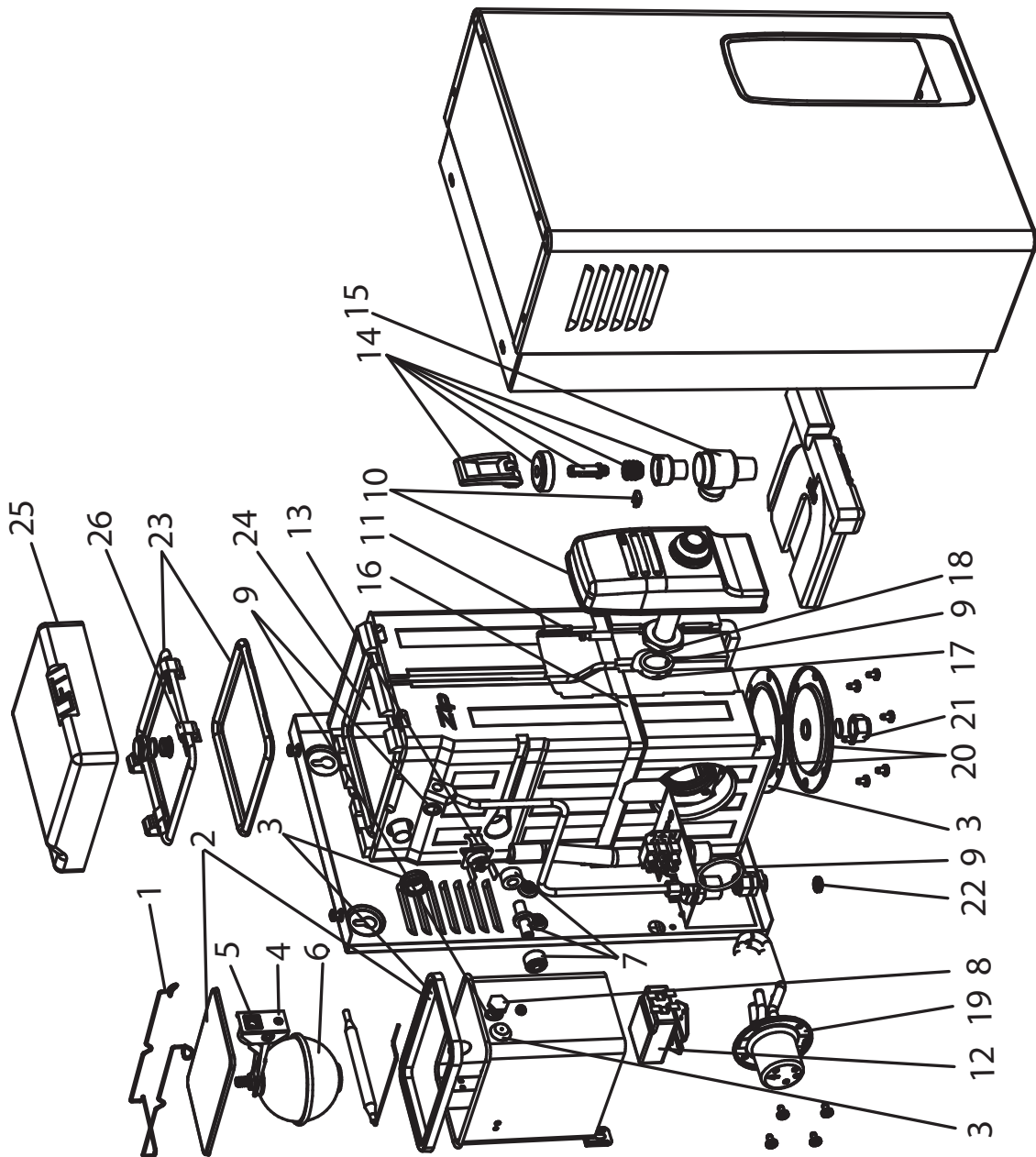
Boiling water will flow until the tap is returned to its normal vertical position.

This operation allows the vessel to be filled without holding your hand where it may be affected by steam.

## Spare Parts

Key	Part No	Description
1	90487	Cistern Lid Clamp kit 2000B
2	90488	Cistern Lid and Gasket kit 2000B
3	90490	Gasket kit Hydroboil 2000B
4	90083	Float valve kit w/ seals 2000B
5	90069	Jumper valve kit w/ seals 2000B
6	90102	Cistern float kit w/ nut and screw
7	90493	Metering tube kit 1500w 2000B
7	90494	Metering tube kit 2400w 2000B
8	90495	Banjo screw Hydroboil 2000B Version 2
9	90496	O-Ring kit Hydroboil 2000B
10	90574	Fascia lens kit 2000B
11	90110	Fascia Light kit
12	90081	Thermostat Kit
13	90127	Overload kit Hydroboil 2000B
14	90501	Tap Top Kit Hydroboil 2000B
15	90562	Tap Assy complete 2000B
16	90503	Strap and key kit 1.5 & 3L 2000B
16	90504	Strap and key kit 5 & 7.5L 2000B
17	90505	Tap nut kit Hydroboil 2000B
18	90509	Tap body kit Hydroboil 2000B
19	90485	Element kit 1500W / 240V 2000B
19	90486	Element kit 2400W / 240V 2000B
20	90491	Clean hole cover kit 2000B
21	90492	Drain cap & seal kit 2000B
22	90107	Filter Kit Cold Inlet Bush
23	90131	Lid, Gasket and Clips Kit 1.5L & 3.0L
23	90132	Lid, Gasket and Clips Kit 5.0 & 7.5L
24	90141	Tank Welded 1.5L Kit
24	90142	Tank Welded 3.0L Kit
24	90143	Tank Welded 5.0L Kit
24	90144	Tank Welded 7.5L Kit
25	90146	Insulation Kit 1.5L
25	90147	Insulation Kit 3.0L
25	90148	Insulation Kit 5.0L
25	90149	Insulation Kit 7.5L
26	90130	Clips for Curled Tank Kit

## Spare Parts



## Warranty Information

The Zip appliance you have chosen is precision-built from the finest materials available and should give many years of trouble free service.

Certain warranties may be implied by law into your contract with Zip. The warranty provided below is additional to these implied warranties and nothing set out below shall limit your statutory rights or rights at law.

Zip Heaters (UK) Pty Ltd warrants that, should any part fail within 24 calendar months of installation, that part will be repaired or replaced free of charge by Zip or its Distributor or Service Provider, except as set out below, provided the appliance is installed and used strictly in accordance with the instructions supplied, and that failure is not due to accident, misuse, abuse, unsuitable water conditions, or to any alteration, modification or repair by any party not expressly nominated by Zip.

No costs are payable by the customer other than any mileage or travelling-time charges incurred by a Zip Service Provider or the cost of removal, cartage and re-installation of any component of the appliance if it needs to be returned for repair to Zip or its Distributor.

This warranty does not cover damage resulting from non-operation of the appliance or consequential damage to any other goods, furnishings or property.

No warranty applies to the life of any filtration cartridge installed with the appliance as cartridge life may vary according to water quality and the rate of water consumption.

Zip does not exclude, restrict or modify any liability that cannot be excluded, restricted or modified or which cannot, except to a limited extent, be excluded, restricted or modified as between the owner or user and Zip under the laws applicable.

Furthermore, this warranty does not displace any statutory warranty, but, to the extent to which Zip is entitled to do so, the liability of Zip under any statutory warranty will be limited at Zip's option to the replacement of the appliance or supply of equivalent appliance, the payment of the cost of replacing the appliance or acquiring an equivalent appliance, or the payment of the cost of having the appliance repaired or the repair of the appliance.

### Registering Your Purchase

Registering your Zip installation on the Zip website may help to establish date of installation should it become necessary to service the appliance under terms of the Zip warranty. To register your installation go to [www.zipheaters.co.uk](http://www.zipheaters.co.uk) and look under the heading "Warranty".

### Head Office

Zip Heaters (UK) Pty. Ltd.  
14/15 Bertie Ward Way  
Rashe's Green Dereham  
NORFOLK NR19 1TE

Website: [www.zipheaters.co.uk](http://www.zipheaters.co.uk)  
Telephone: 0870 608 8888  
Facsimile: 01362 692 448



*Instant Boiling Water*