



Zip RCH™

Cistern-type water heaters

Single or multiple outlet
25.0 litre, 50.0 litre, 75.0 litre, 100.0 litre



Features

Incorporates a patented design that enables the temperature of the cold water to meet current regulatory limits

The Zip RCH is the only UK water heater of its type that is fully WRAS approved

Simple to install and maintain

Trouble free operation

01.09.06



Zip RCH™

Cistern-type water heaters

Single or multiple outlet
25 litre, 50 litre, 75 litre, 100 litre

		Capacity		kW @ 230V	Dimensions (mm)			Weight (kg)	
		Hot	Cold		H	W	D	Empty	Full
Zip RCH™	RCH 25	25.0 litre	8.0 litre	3	705	470	210	20	53
Zip RCH™	RCH 50	50.0 litre	24.0 litre	3	750	600	320	32	106
Zip RCH™	RCH 75	75.0 litre	24.0 litre	3	925	600	320	37	136
Zip RCH™	RCH 100	100.0 litre	24.0 litre	3	1080	600	320	40	164
Zip RCH™	RCH 100	100.0 litre	24.0 litre	6	1080	600	320	40	164

- Rectangular cistern-type open vented heater
- 3.0 kW alloy sheathed element
- Dual thermostat control
- Splash proof element cover
- Left or right hand plumbing and electrical connections
- Stores hot water separate from incoming cold water
- Hot water storage chamber vents to cold water cistern
- New temperature control technology patented by Zip maintains cistern temperature within regulatory limits

Rating

3.0 kW (6.0 kW option on 100 litre)

Heating element

Embedded rod

Thermostat

Adjustable rod, range 5°C – 65°C

Water tank

Hot water tank and cold water feed cistern are both manufactured from copper sheet with brazed seams

Case

White enamelled corrosion-proofed steel

Insulation

Fully fire-retardant foiled urethane core slab

Approvals

WRAS Approved and CE Endorsed

Warranty

12 months

Safety features

Resettable rod type thermostat set at 80°C

Simple to install

Supplies hot water to single or multiple outlets

Connects directly to the cold water supply

Left or right connection for overflow, water and power

Can be used with most types of standard tapware

No need for expansion vessels or relief valves

Simple to Maintain

Minimum working parts for trouble-free operation

No routine maintenance or safety checks necessary

Simple top access for servicing ball valve in cistern

Simple bottom access for replacing heating element

Installation

Location

Should be mounted on a wall at least one metre above the highest draw-off point

The wall must be sufficiently strong to carry the weight of the heater when full

Should be fastened using the integral wall mounting bracket and fixing point

Top clearance of 200mm minimum must be allowed for access to the ball valve in the cistern

Bottom clearance of 250mm minimum must be allowed for withdrawal of the heating element

Plumbing

Cold inlet, left or right hand connection, 15 mm BSP

Hot outlet, from base of heater, 22 mm compression fitting

Drain connection, supplied and fitted

Overflow, left or right hand connection, 22 mm compression fitting

Ball valve is for mains pressure operation, brass body to BS1212-2

To be installed in compliance with water regulations

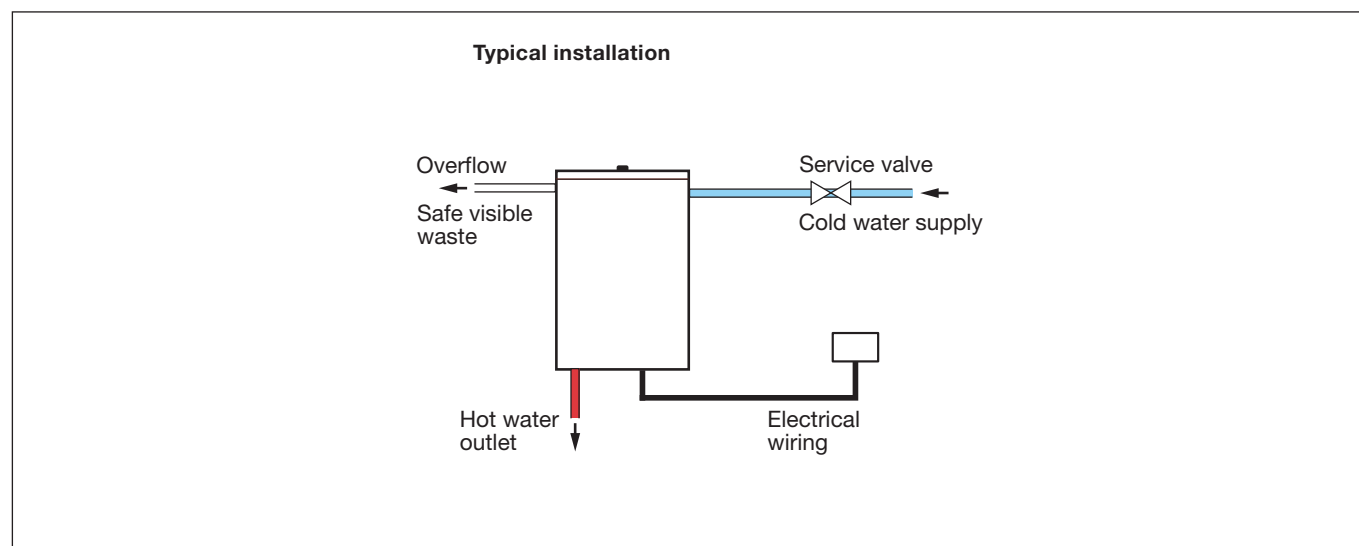
Electrical

To be wired to a double pole fused spur, minimum break rating of 13 amps

Installation must comply with current IEE regulations

Caution

Variable temperature water heaters should be set only in strict compliance with regulations governing the temperature of stored and dispensed hot water



01.09.06

