

Zip HydroTap® Compact2 Residential Model

Boiling and chilled filtered drinking water instantly



Hot drinks instantly



Chilled drinks instantly



Features

- Instant filtered boiling water for tea, coffee and hot foods—no more kettles
- Instant filtered chilled drinking water from the same tap—no more bottled water to buy, store or handle
- Both the boiling and chilled water are pumped so that the water at the tap is delivered at the correct temperature, with no wasted energy or water
- Integral child safety lock – if needed – requires finger/thumb operation
- Cool touch tap
- Steady stream of boiling water with no splatter and minimum steam
- Optional font allows installation away from sink
- Super compact design with integral filter, fits most kitchens undersink areas where space can be a problem
- Power-Pulse™ energy saving technology allows the system to self-regulate power usage to changing demands
- Hibernation mode allows the system to totally power-down after 2 hours of non-use
- ‘Sleeps-when-inactive’ allows the system to partially power-down after 2 hours of non-use, but still maintain stored ‘boiling’ water at 65°C
- Programmable 24 hour 7 day timer provides ‘power on - power off’ periods to ensure maximum energy saving
- Integral triple action submicron filter
 - Removes impurities smaller than one thousandth of a millimetre
 - Removes parasites such as Cryptosporidium and Giardia
 - Reduces dirt, rust, asbestos fibres and heavy metals
 - Removes Chlorine odour and taste
- Choice of limescale filtration systems for installation in hardwater areas

Zip HydroTap® Compact2 Residential Model

Product Selection Chart

Product Code	Boiling Chamber Litres	Chilled Chamber Litres	Power Rating kW @230V	Dimensions(mm) W x D x H
DOMBC3	2.0	1.5	1.8	385 x 380 x 348

Standard cup 167ml. Standard glass 200ml.

Description

- Undersink instant boiling and chilled filtered water from the same tap
- Can be installed on a worktop or at a sink
- All components other than the tap in a compact single case with easy access to the filter
- Both the boiling and chilled water are pumped so that the water at the tap is delivered at the correct temperature, with no wasted energy or water
- Integral, fully encapsulated triple action submicron filter with optional scale filter system available
- Programmable maximum measured water delivery
- Safety lock provides additional user safety, where required
- Cool touch tap
- Lock-on tap facility for filling larger vessels
- Filter replacement indicator
- Undercounter safe tray with leak detector

Boiling system

Open outlet, vented system designed to operate at 98°C.

Chilling system

Fan-cooled condenser type, chilling from 5-15°C.

Refrigerant
R134A.

Tap head

Chrome plated tap with electronic controls, integral safety lock and LED indicators.

Undersink system

Compact unit with integral filter and visual display panel.

Approvals

CE endorsed.

Warranty

2 year on-site parts and labour.
For full details visit <http://www.zipheaters.co.uk/warranty>

Installation

Location

Should be installed either on a suitable sink or on a Zip Tap Font. If installing on a sink, the tap should be mounted so that it will dispense into the sink.

The under-sink unit should be located, if possible, directly beneath the tap and not more than 1 metre away.

Plumbing

The water supply must be potable (drinkable). If static pressure exceeds 7 bar, a pressure reducing valve needs to be fitted. An isolating valve should be installed between the supply and the unit.

Venting

A vent in the HydroTap may discharge small amounts of water or steam, so the tap must be mounted where it can drain.

Ventilation – IMPORTANT

It is essential that the cupboard containing the undersink unit is adequately ventilated as poor air circulation will adversely affect the performance of the HydroTap. Cupboard doors must be offset all round using the 4mm buffers provided.

Electrical

To be connected to a suitable switched socket with a 13 amp plug. Installation must comply with current IEE regulations.

Caution

In some hard water areas where mineral scale accumulation may be an issue, consideration should be given to the maintenance required. We recommend the use of the Zip Professional FL1100 Scale Filtration System.

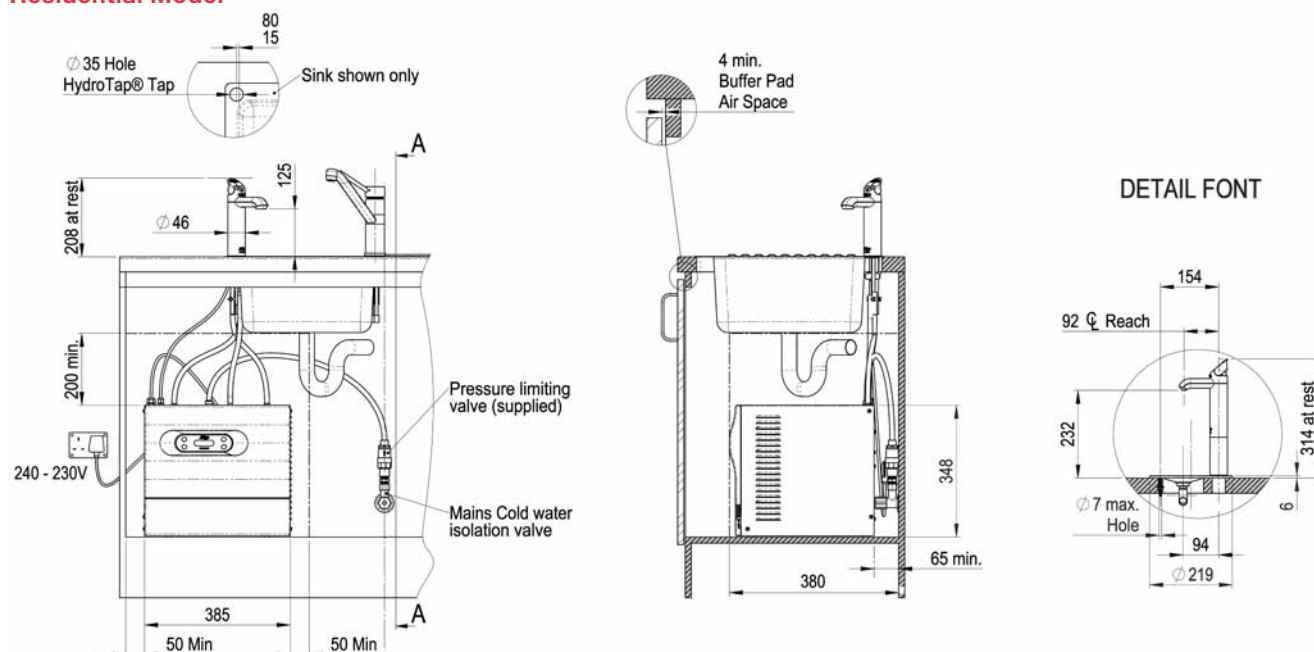
Technical Support

Contact Zip on: 0800 077 8302.

Maintenance

Zip HydroCare Tel: 01362 852244.

HydroTap Compact2 Residential Model



As Zip policy is one of continuous product improvement changes to specifications may be made without prior notice.

The terms, Zip, HydroTap and Compact2 are Trademarks.