

# **Bell System (Telephones) Ltd.**

***bellissimo***

**Video Door Entry System**

**1 Way**

**Installation & Operation Manual**

**This manual applies to the following: –**

**BSD1 1 Way Door Controller – Version 2 Build 5 & 6**

**BS Colour Videophone – Version 2 Builds 1 & 2**

**BSA Audio Phone – Version 1 Build 1**

# bellissimo 1 Way Video Entry System

## TABLE OF CONTENTS

<b>TABLE OF CONTENTS</b> .....	<b>2</b>
<b>INTRODUCTION</b> .....	<b>3</b>
DESCRIPTION .....	3
MAIN FEATURES .....	3
BELLISSIMO COLOUR VIDEOPHONE .....	4
<b>BASIC SYSTEM OPERATION</b> .....	<b>5</b>
<b>DESIGN CONSIDERATIONS</b> .....	<b>8</b>
EQUIPMENT LIST.....	8
OPTIONS.....	8
POWER SUPPLY REQUIREMENTS .....	9
CABLE SPECIFICATION. ....	10
CABLE DISTANCES – VERSION 2 COLOUR VIDEOPHONES .....	11
<b>INSTALLATION &amp; COMMISSIONING</b> .....	<b>12</b>
CHECKLIST.....	12
WIRING.....	12
COMMISSIONING .....	14
BSD1 DOOR CONTROLLER SWITCH SETTINGS .....	15
BSD1 DOOR CONTROLLER JUMPER SETTINGS.....	18
BS VIDEOPHONE SWITCH SETTINGS .....	19
<b>TROUBLESHOOTING</b> .....	<b>20</b>
QUICK FAULT REFERENCE.....	20
<b>SPECIFICATIONS</b> .....	<b>23</b>
<b>DIAGRAM A – 1 WAY CABLING OVERVIEW</b> .....	<b>25</b>
<b>DIAGRAM B – 1 WAY PCB DETAIL</b> .....	<b>26</b>
<b>DIAGRAM C – 1 WAY BASIC SYSTEM WIRING DETAIL</b> .....	<b>27</b>
<b>DIAGRAM D – 1 WAY MULTIPLE ENTRANCE WIRING DETAIL</b> .....	<b>28</b>
<b>DIAGRAM E – EXTENSION VIDEOPHONE WIRING</b> .....	<b>29</b>
<b>DIAGRAM F – VIDEOPHONE LOCAL POWER WIRING</b> .....	<b>30</b>
<b>DIAGRAM G – OPTION DETAILS</b> .....	<b>31</b>
<b>DIAGRAM H – 1 WAY COMPLETE DDA PANEL WIRING</b> .....	<b>32</b>
<b>DIAGRAM I – BELLISSIMO COMBINED SYSTEM CONNECTIONS</b> .....	<b>33</b>
<b>DIAGRAM J – ACT PROXIMITY TO BELLISSIMO CONNECTIONS</b> .....	<b>34</b>
<b>SAFETY INFORMATION AND DECLARATIONS</b> .....	<b>35</b>

# bellissimo 1 Way Video Entry System

## Introduction

### Description

A *bellissimo* video door entry system consists of a door panel, positioned at the entrance of a building, video telephones (videophone), placed inside of the building for the convenience of the occupants and a power supply and controller which are usually located inside an electrical cupboard. The door panel comprises of a two-way speech unit, a camera and a push button – which must be depressed by a visitor to initiate a call. The videophone, which rings in response, allows a two-way conversation via a handset whilst the caller can be observed through the integral display. The operator can selectively allow visitors access to the building by pressing a button on the videophone and so electrically releasing the door.

The *bellissimo* 1-way Video Door Entry System is suitable for any building requiring a single push button at the entrance, such as houses, individual flats and offices. For multi-way systems please refer to either the “*bellissimo* 2-72-way Video Entry System” or “*bellissimo* Digital Video Entry System” manuals.

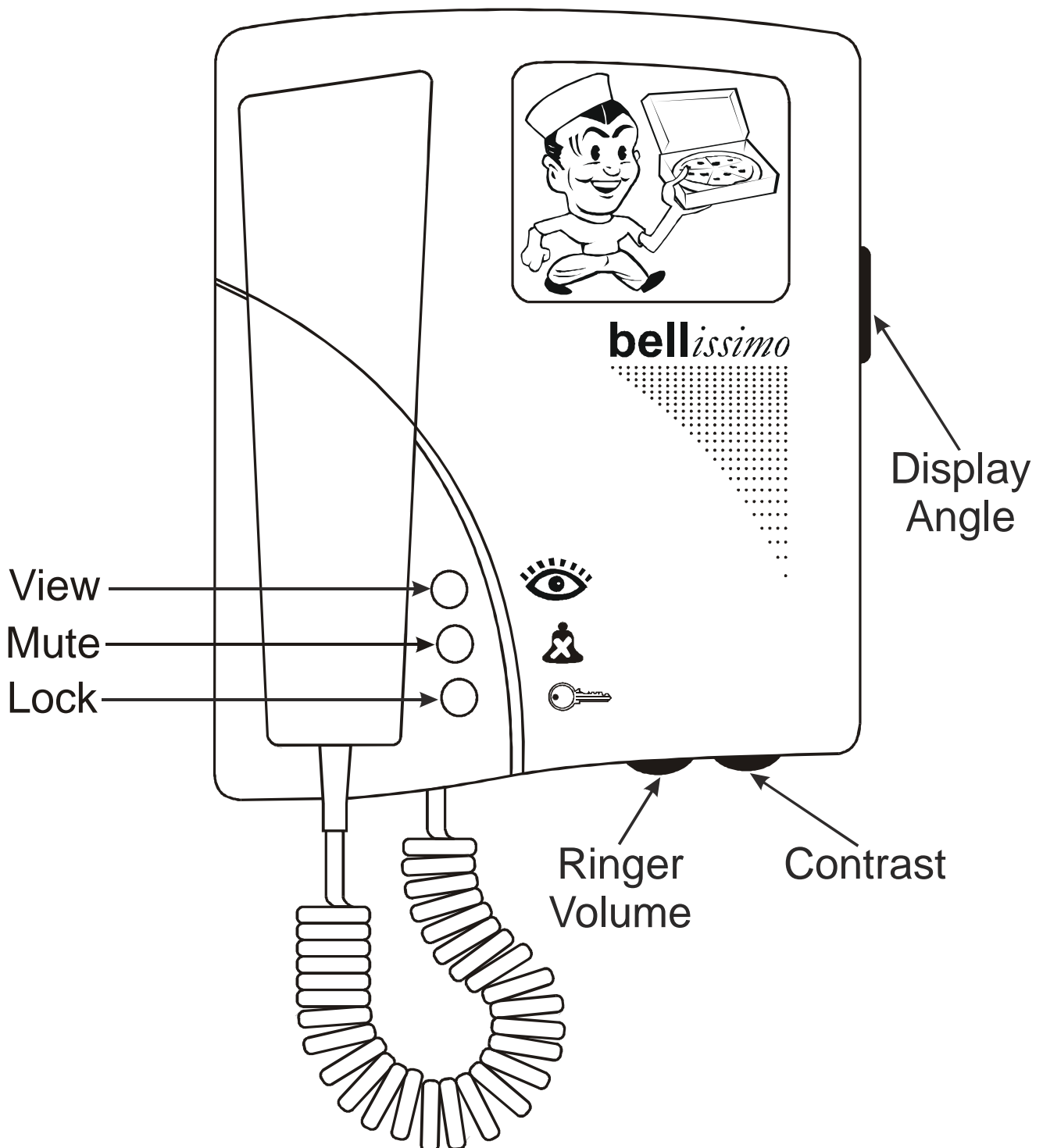
The *bellissimo* “1-way” system is supplied with a dedicated door controller, which has been specifically optimised for “1-way” systems, ensuring simple installation. This basic system can support up to 3 extension videophones (more with additional power supplies). Multiple entrances can be supported with the addition of one panel and one door controller for each entrance.

### Main Features

- Cat5 cable throughout; no co-ax required!
- 3.5” Flat screen high resolution TFT colour display.
- High resolution CCD colour day/night camera with infrared lamps.
- 12V d.c. operation
- High quality full-duplex speech amplifier.
- Automatic picture display while ringing.
- Operator activated picture (CCTV mode)
- Ringer mute function.
- Ringer volume control.
- Fail safe or fail secure lock releases and magnetic locks (maglock).
- Lock release timer.
- Tradesman facility (optional).
- Facility for exit button and/or fire switch.
- Door open indication.
- Second camera option.
- Up to 3 extension videophones.
- DDA panel options.
- Multiple entrances supported.

# bellissimo 1 Way Video Entry System

## bellissimo Colour Videophone



Button	Lamp	Steady	Flashing
<b>View</b> / camera select	Amber	Call in progress	Ringing
<b>Mute</b> on/off	Red	Videophone is muted	Videophone is off-hook
<b>Lock</b>	Green	Door is open	Press to release lock

# bellissimo 1 Way Video Entry System

## Basic System Operation

### Call sequence

When the **call** button is pressed at the entrance panel it causes the videophone to ring and the amber **view** lamp to flash. The videophone will continue to ring for up to 30 seconds or until the resident responds by picking up the handset. At this time the resident can freely converse with the visitor whose image is now displayed on the videophone; at the same time the green **lock** lamp will flash to highlight the **lock** button.

The call may be terminated by replacing the handset or more usually by pressing the **lock** button first to allow the visitor access through the entrance; the speech and picture will persist for a further 3 seconds while the door is being released.

### Videophone Controls

The diagram in the introduction shows the standard colour monitor and its controls. The default setting is ringer volume maximum (slide finger to left) and contrast midway. The slider on the right hand side alters the screen viewing angle.

### Auto Display

When 'Auto Display' mode is selected the picture will come on while the videophone is ringing, otherwise the picture will only come on when the call is answered. Auto Display mode is usually pre-selected at installation and generally only one videophone should be set in this mode (see 'Extension Videophones' below).

### Call Mute

The resident can mute the ringing sound in the videophone when they do not wish to be disturbed. Call mute is activated by pressing the **mute** button on the videophone, which then illuminates in red as a reminder. The handset must be on the hook for this to work. Pressing the **mute** button a second time will disengage the mute function. During installation it is possible to set a time limit for the mute function in various values from 2 minutes up to 10 hours or indefinitely. When this time period has elapsed the mute function will automatically disengage. (See 'mute timer', page 19).

The mute feature can be set during installation to one of two modes (or disabled altogether): -

**Ringer Mute** only stops the audible ring, but the amber **view** light will still flash and all other functions work normally. Ringer mute will continue for the preset time even if a call is answered. Pressing the **mute** button again while the videophone is idle will cancel the mute function.

**Full Mute** prevents the videophone both from ringing or flashing the amber **view** lamp. Pressing the mute button again or lifting the handset will cancel the full mute function.

### Silent viewing

When the videophone is ringing the resident can press the **view** button to answer the call instead of lifting up the handset; this will stop the videophone ringing and enable them to view the visitor for up to 60 seconds or until the **lock** button is pressed to release the door. Silent viewing can be 'normalised' at any time by picking up the handset and conversing with the visitor as described above.

# **bellissimo 1 Way Video Entry System**

## **Door Status Indication**

The green **lock** lamp on the videophone will illuminate to warn the resident that a door has been left open following a call. This feature requires a door monitor contact to be fitted.

## **Call Privacy**

Once a call has been answered by one videophone no other videophones may join in, view or listen to the call. If another videophones handset is picked up, or the **view** button is pressed, the videophone will not activate.

## **User Activation (CCTV Mode)**

While the system is idle, pressing the **view** button will activate the system and display the picture at the entrance panel. Once activated, lifting the handset will enable speech at the entrance and the lock button may now be used to release the door or the user can hang-up. The picture will switch off after the preset talk-time.

## **Cameras**

The door controller has the capability of using one or two cameras, for instance a second panel camera for DDA or a 'third party' 'CCTV' camera located to offer a different entrance viewpoint. Pressing the **view** button will alternate the view between camera 1 and camera 2 (if enabled).

Note. The camera to controller wiring has termination options which allow for connections to other video equipment. See the Options Diagram on page 31 for details.

## **Extension Videophones**

Additional videophones may be added to the basic system. The number of extensions is limited only by power supply considerations. All videophones will ring when called however typically only the master unit will display a picture while ringing. Once the master or extension videophone is 'picked-up' the picture will display on that unit alone.

## **Lock Type**

The door controller supports both fail-secure and fail-safe locks including magnetic locks of up to 1A rating. The lock time may be programmed between 1 and 99 seconds. (See 'Lock Operating time' and 'Lock Type' on page 16.

## **Exit Button and Fire Switch**

An input is provided for an exit button, which can be installed on the inside of the door and allow residents to exit freely. Momentary operation of this button will operate the lock release for the programmed lock time. A Fire switch or other override device may use the same input to hold the door open indefinitely. Note. Fail secure locks must be continuously rated.

## **Trades Facility**

Use of a time clock in conjunction with a trades button will allow free access during the programmed time(s).

# bellissimo 1 Way Video Entry System

## DDA Functionality

The *bellissimo* video system has a range of options for entrance panels to help meet the requirements of the Disability Discrimination Act (DDA), including Illuminated Tactile buttons, reassurance tones and LED indicators for “Speak Now” and “Door Open”. Contact your sales representative for further details.

Reassurance tone setting is on page 18.

## Multiple Entrances

The *bellissimo* system allows multiple entrances to be catered for by the addition of a door controller and entrance panel for each entrance and additional power supplies.

In a multiple entrance system an optional feature allows the resident to view the cameras at all the entrances with successive presses of the **view** button.

For details of this camera feature and user activation see the setting for ‘Camera Numbering’ on page17.

# bellissimo 1 Way Video Entry System

## Design Considerations

### Equipment List

A BS1 one-way bellissimo Video Kit comprises the following: -

Model No	Description
1 x BS	Colour Videophone
1 x BSP1	Standard panel with a model 61 speech unit and camera.
1 x BSD1	Door controller.
1 x PS4	4A 12V power supply.
1 x 203	Fail-secure lock release

For a **Vandal Resistant Panel** order a BS1/VR Kit.

### Options

The following options are available: -

- Extensions model **BS** videophone(s).
- Audio only phones model **BSA** as extensions.
- Additional entrances, each comprising a **BSD1** controller and **BSP1** panel. (See also power supply requirements).
- Alternate lock releases, fail-safe and fail-secure.
- Timed Trades facility; specify **TRBS** to add another button and a **TS2000-BST** time-clock. On vandal resistant panels the extra button will be engraved "TRADES"
- Exit button. Model **5077** surface and model **5078** flush versions are available.
- Battery back up power supply, **Model 840** (12V 4A).
- DDA panels (Contact sales for further information).

### Entrance Panel – Important Note

Careful consideration should be given to the location of the entrance panel to ensure the best possible lighting conditions for the camera. In general strong back lighting of the subject (by the sun and sky) should be avoided, as the contrast between foreground and background may be too great for the camera. The field of view should contain as little of the sky as possible, particularly if south facing. If a backlit situation is unavoidable, additional lighting may be necessary to illuminate the caller and avoid a dark outline image (silhouette). A light coloured or reflective surface around the panel will redirect backlight to illuminate the caller.

### Door Controller

The door controller and power supply should be wall-mounted in a convenient cupboard or other protected environment with available mains power. Cable length to the entrance should be less than 50m. The door controller for the second and subsequent entrances may be situated in the same location, or to meet the 50m requirement may be situated in another location. Power supplies may be shared between door controllers placed in the same location, but controllers in separate locations must be separately powered.



# bellissimo 1 Way Video Entry System

## Separately Powered Videophones

The limitation of up to 4 videophones ringing but only one displaying, as indicated in the power supply and cable distance tables on page 11, can be overcome by the use of supplementary power from a 340C.

## Power Supply Requirements

The system is powered by 12V power supplies only: -

Model PS4 12V, 4A.

Model 840 12V, 4A battery backup supply.

Model 340C 12V, 1.5A optional for extensions.

Note 1. The 28V referred to on the videophone, video controller and wiring diagrams is internally generated in the controller. DO NOT use any power supply other than 12V or damage may occur.

Note 2. The PS4 power supply has been specifically designed to operate with the high-surge requirements of the system. Bell System is unable to guarantee functionality or provide support for systems which use third party power supplies.

Exact power supply requirements depend upon many factors. The number of power supplies included within a standard 'kit' or quotation assumes that all controllers are installed in one location and that there are no extensions.

The following table gives examples of the controllers and power supplies for a given number of entrance doors and extensions.

System	Controllers and Power Supplies
1 door and 1 phone (standard kit)	1 x BSD1 door controller 1 x PS4 12V 4A power supply
2 doors and 1 phone	2 x BSD1 door controller 1 x PS4 12V 4A power supply
3 doors and 1 phone	3 x BSD1 door controller 2 x PS4 12V 4A power supply
Up to 3 extension phones not displaying picture during ring	No extra power supplies required
Any number of extension phones displaying picture during ring	1 x 340C 12V 1.5A power supply per extension phone
2 doors and 6 phones all to display picture during ring	2 x BSD1 door controller 1 x PS4 12V 4A power supply 5 x 340C 12V 1.5A power supply

# bellissimo 1 Way Video Entry System

## Cable Specification.

All system wiring must be carried out using **Cat5** signal cable and where necessary 1mm<sup>2</sup> (or greater) power cable as tabulated below. Cat5 cable has a known performance for the transmission of video signals, whilst telephone or alarm cables are not suitable.

**Bell System will be unable to offer any warranty or support for systems installed using incorrect cables.**

## Cat5 Cable Specification

Cat5 is our short reference for EIA standard UTP Category 5 Unshielded Twisted Pair data cable. This is a standard solid core twisted pair cable having 4 pairs (8-cores) and no shield. The cores are in pairs where Blue and 'Blue with a White stripe' are twisted together as the first pair. The other three pairs are similar with main colours Orange, Green and Brown.

- Also available and acceptable are:

UTP Category 5e (Cat5e)

UTP Category 6 (CAT6)

UTP Category 6e (CAT6e)

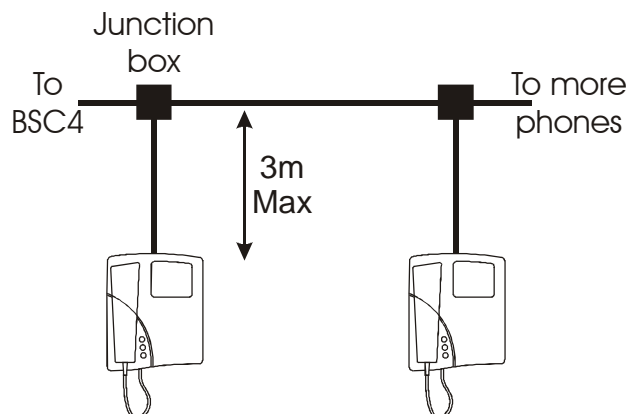
The exact cable can be chosen from the above on cost and availability grounds.

- STP (Shielded Twisted Pair) cables are **not** recommended.
- UTP "patch cables" are **not** recommended.

NOTE: Cat5 cable is easily identifiable as the specification is printed on the sheath

Patch cable is used for the desk phone to wall connection as this requires a flexible cable. The reason for not using it for general wiring is that attenuation is higher and video distances would be reduced by at least ½, it also costs 2 to 3 times as much as standard Cat5.

Spurs. A daisy chain run with one or more spurs of up to 3 metres is allowed. For example a desk phone connection.



# bellissimo 1 Way Video Entry System

## Cable Distances – Version 2 Colour Videophones

Door Controller to Videophone			
System	Distance	Cable	Comments
Single videophone per output or first videophone	< 150m	1 x Cat5	
	> 300m	1 x Cat5 2 x 1mm <sup>2</sup>	
Single videophone + 3 extensions on each output, all cable powered	< 50m	1 x Cat5	Only Master videophone has 'Auto display'; extensions are daisy-chained
	< 200m	1 x Cat5 2 x 1mm <sup>2</sup>	
Single videophone per output with separately powered extensions	< 150m	1 x Cat5	150m maximum to the cable powered videophone; daisy-chain up to 300m total.
	> 300m	1 x Cat5 2 x 1mm <sup>2</sup>	
All videophones locally powered with a 340C power supply	< 300m	1 x Cat5	Locally powered videophones have 'Auto display'; extensions are daisy-chained
	<25m to 340C	1 x pair of Cat5	
	<100m to 340C	2 x 1mm <sup>2</sup>	

Panel to Door Controller			
System	Distance	Cable	Comments
All Systems, each entrance	<50m	1 x Cat5	Basic Features only
Lock Release up to 1A	<10m	¼ x Cat5	
	<50m	2 x 1mm <sup>2</sup>	
Option: Exit button	<50m	¼ x Cat5	
Option: Trades button	<50m	¼ x Cat5	Requires a Time-clock
Option: Door Monitor Switch	<50m	¼ x Cat5	

Power Supply to Controller			
System	Distance	Cable	Comments
All Systems, each PS4 to BSD1	<3m	2 x 1mm <sup>2</sup>	
	<5m	2 x 1.5mm <sup>2</sup>	

NB. A Cat5 cable has 4-pairs (8 cores)

For larger cable distances please contact manufacturer.

# bellissimo 1 Way Video Entry System

## Installation & Commissioning

### Checklist

The following checklist is a summary of what is required. Refer to the relevant pages for further details.

- Review the section headed 'Safety Information' on page 35.
- Ensure that 'Design Considerations' on page 8 have been understood.
- Confirm that Cat5 cable has been specified.
- Install the system according to instructions in this section.
- Check/set the door controller jumper and switch settings.
- Check/set each videophone dipswitch settings.

### Wiring

Refer to the diagrams from page 25 onwards as appropriate for the equipment you have.

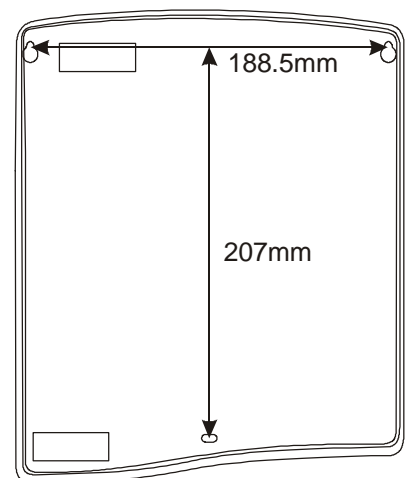
All wiring is carried out using a mixture of Cat5 for the signal wiring and 1mm<sup>2</sup> (or greater) cores for the power wiring; refer to Page 10 for further details. It is strongly recommended that a consistent colour code be used throughout such as that indicated on the connection diagram. Certain signals must be interconnected using a twisted pair from the Cat5 cable. These are clearly marked on the connection diagram and should be strictly observed.

### Entrance Panel

The panel should be mounted at an optimum height of 1.6 m, measured between the ground and the centre of the camera window. With flush mounting panels it is advisable to apply mastic to the top and side edges of the panel to prevent water ingress behind the panel, but not to the bottom edge. On construction sites the panel must be protected from corrosive substances such as 'brick acid'. The panel should be cleaned only with a damp cloth containing dilute detergent.

### Videophone

The videophone is designed to be wall mounted onto plasterboard or other masonry at an optimum height of 1.6m. It should be fixed with three No 8 screws (not supplied). Use the dimensions shown on the adjacent diagram. If the cable is to be feed from the wall cavity then make a hole for this at the same time. Fit the top two screws but do not fully tighten. Now remove the top cover of the videophone, which is secured by clips at both sides. If top or bottom cable entries are required, carefully remove the appropriate cutout with side snips taking care not to damage any internal components. Hang the videophone on the two screws already fitted allowing the cable (if present) to feed through and the third screw to be inserted at the bottom. Tighten all three screws. Before replacing the Front Cover remove the protective film from the display lens and also check that the DipSwitch settings are correct or change as necessary (see Page 19).

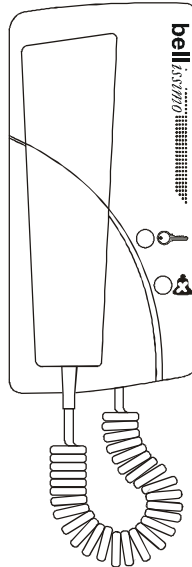


# bellissimo 1 Way Video Entry System

## Audio Phones

The BSA audio phone can be used as a lower cost alternative to an extension videophone. It is styled like the *bellissimo* videophone. The phone is manufactured in white and grey high-impact ABS plastic that imparts high durability and compliments most wall furnishings. It incorporates both ***mute*** and ***lock*** illuminated buttons and it has an Electronic Ringing Tone with rotary preset volume.

## BSA Phone



## Electric Door Release

Both fail-secure and fail-safe lock releases (including magnetic locks) use the same terminals. To set the lock type, refer to the "Door Controller Settings". When installing lock releases please allow a little movement on the door, as operation will be impaired if fitted too tight.

NB. Magnetic locks (maglocks) must be fitted with a suppressor at the lock terminals. Some manufacturers fit an acceptable internal suppressor.

## Fail Safe Exit: Notes

Fail safe exits require an exit button and this should be normally open so that the controller can be used to give a timed exit. If the exit button has both normally open and normally closed contacts, then the normally closed contact can be wired in series with the release or maglock along with the break glass in case of equipment failure.

A not uncommon problem with maglocks, because they cannot be mechanically overridden, is being locked out of the building due to lost codes, fobs or equipment failure. So consider an alternate building entrance, or an externally accessible secure keyswitch, or a reliable method of disabling the system during overnight secure lockup.

## Fail Secure Exit: Notes

Commonly fail secure exit doors incorporate a thumb-turn, door handle or mini push bar rather than use of an exit button. Fire officers usually require a minimum of door handle or push bar to open a door on a fire exit route – not a thumb-turn.

Most fail secure locks are not continuously rated and if an electrical hold open system is used for say busy times, then a continuously rated release must be used.

Powered bolt, shoot-bolt or other more secure door locking systems may require the use of separate power supplies or a suppressor to be fitted. Shoot-bolt systems for instance

# **bellissimo 1 Way Video Entry System**

tend to require at least 1.5A peak current and this will require the use of an isolation relay and a separate power supply for the lock.

## **Exit Button Input**

The exit button is used to unlock the door for the preset lock operating time. The input is designed only for use with a normally open push button. 'Exit +' is the input and 'Exit -' is internally connected to 0V.

The 'Exit +' input can also be used for connection to other equipment to open the door as shown in Diagram I – bellissimo Combined System Connections.

## **Door Open Switch**

The door open switch is used to provide an indication at the phone that the door has been left open. This switch can have closed contacts when the door is closed or open contacts when the door is closed, the choice being made in Panel Programming. The default of 'contacts open when door closed' must be selected when this feature is not required.

## **Time Clock Sharing**

In a large system a single time clock can be shared between distributed equipment areas by borrowing one of the 'comm -' wires in the interconnecting Cat5 to use as the shared "Time clock common". See the detailed diagram on page 31.

## **Commissioning**

The major components of the **bellissimo** Video system are fitted with high quality pluggable screw terminal blocks. This enables all the connections to the system to be fully completed, whilst easily isolating individual pieces of equipment during testing and commissioning.

When powering up for the first time, it is highly recommended that only the most basic system be connected. i.e. 1 BS videophone, 1 door controller and panel, the remaining equipment can be isolated by unplugging terminal blocks.

Proceed to test the system by calling the videophone from the door panel in the usual way. Any problems can be resolved by rechecking wiring and connections, assisted by the various suggestions and tests in the section "Troubleshooting". Once the basic system is fully functioning, continue to reconnect and test the remaining equipment item by item until completed.

# bellissimo 1 Way Video Entry System

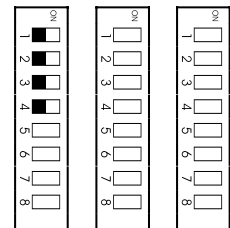
## BSD1 Door Controller Switch Settings

### Talking Time/Videophone Active DIP SW1 (1-4)

4	3	2	1	Talk Time
On	On	On	On	15s
On	On	On	Off	20s
On	On	Off	On	30s
On	On	Off	Off	45s
On	Off	On	On	60s
On	Off	On	Off	75s
On	Off	Off	On	90s
On	Off	Off	Off	120s
Off	On	On	On	150s
Off	On	On	Off	180s
Other settings				60s
<b>Off</b>	<b>Off</b>	<b>Off</b>	<b>Off</b>	<b>60s*</b>

\*Default setting

SW1 SW2 SW3



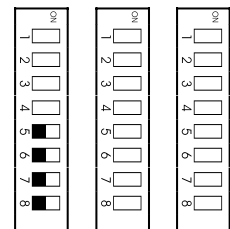
OFF ↔ ON

### Ringing Time/Call Time and Ring Effect DIP SW1 (5-8)

8	7	6	5	Call Time	Ring Cadence or Sound Effect
On	On	On	On	5s	1 in 3 – 1 ring every 3 seconds
On	On	On	Off	8s	1 in 3 – 1 ring every 3 seconds
On	On	Off	On	10s	1 in 3 – 1 ring every 3 seconds
On	On	Off	Off	15s	1 in 3 – 1 ring every 3 seconds
On	Off	On	On	20s	1 in 3 – 1 ring every 3 seconds
On	Off	On	Off	30s	1 in 3 – 1 ring every 3 seconds
On	Off	Off	On	40s	1 in 3 – 1 ring every 3 seconds
On	Off	Off	Off	45s	1 in 3 – 1 ring every 3 seconds
Off	On	On	On	50s	1 in 3 – 1 ring every 3 seconds
Off	On	On	Off	60s	1 in 3 – 1 ring every 3 seconds
Off	On	Off	On	30s	1 in 3 (Reserved For future use)
Off	On	Off	Off	30s	1 in 3 (Reserved For future use)
Off	Off	On	On	30s	2 in 15 – 2 rings, 15S silence, repeat
Off	Off	On	Off	30s	1 in 15 – 1 ring, 15S silence, repeat
Off	Off	Off	On	30s	1 in 5 – 1 ring every 5 seconds
<b>Off</b>	<b>Off</b>	<b>Off</b>	<b>Off</b>	<b>30s*</b>	<b>1 in 3* – 1 ring every 3 seconds</b>

\*Default setting

SW1 SW2 SW3



OFF ↔ ON

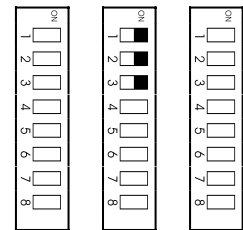
# bellissimo 1 Way Video Entry System

## Lock Operate Time Dip SW2 (1-3)

3	2	1	Lock Time
On	On	On	3s*
On	On	Off	4s
On	Off	On	5s
On	Off	Off	6s
Off	On	On	8s
Off	On	Off	10s
Off	Off	On	15s
Off	Off	Off	20s

\*Default setting

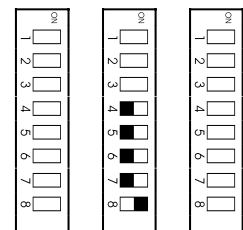
## SW1 SW2 SW3



OFF ↔ ON

## Individual Functions DIP SW2 (4-8)

## SW1 SW2 SW3



OFF ↔ ON

SW2-4	Lock Type	Lock behaviour during power failure
*Off	Fail secure lock	Requires alternate mechanical means, key or thumb-turn to open on power failure
On	Fail safe lock	Lock opens on power failure
SW2-5	Door Status Switch	Monitors doors left open
*Off	Contacts Open when Door is Closed	The default allows for no switch fitted
On	Contacts Closed when Door is Closed	Standard normally closed switch
SW2-6	Camera 2	How many cameras at this door
*Off	Camera 1 only	Default – single camera per door
On	Enable Camera 2	Second camera at the door
SW2-7	View Function	Camera action when view button pressed
*Off	Local View	View button only selects the camera(s) at this door
On	Global View (See DIP SW3 below)	View button sequentially selects all cameras at doors with this switch set
SW2-8	CCTV Mode	View button pressed when system is idle
Off	Disabled	View button only works when called from the panel
*On	Enabled See notes below	User can activate the system and look to see anyone near the door(s)

\*Default setting

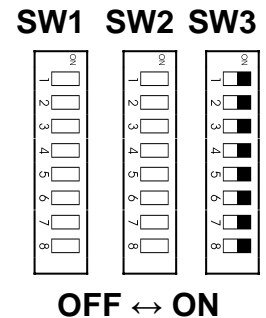


# bellissimo 1 Way Video Entry System

## Camera Numbering DIP SW3 (1-8)

Camera 1 at this door				
4	3	2	1	Number
On	On	On	On	*1
On	On	On	Off	2
On	On	Off	On	3
On	On	Off	Off	4
On	Off	On	On	5
On	Off	On	Off	6
On	Off	Off	On	7
On	Off	Off	Off	8
Off	On	On	On	9
Off	On	On	Off	10
Off	On	Off	On	11
Off	On	Off	Off	12
Off	Off	On	On	13
Off	Off	On	Off	14
Off	Off	Off	On	15
Off	Off	Off	Off	16

Last Camera				
8	7	6	5	Number
On	On	On	On	*1
On	On	On	Off	2
On	On	Off	On	3
On	On	Off	Off	4
On	Off	On	On	5
On	Off	On	Off	6
On	Off	Off	On	7
On	Off	Off	Off	8
Off	On	On	On	9
Off	On	On	Off	10
Off	On	Off	On	11
Off	On	Off	Off	12
Off	Off	On	On	13
Off	Off	On	Off	14
Off	Off	Off	On	15
Off	Off	Off	Off	16



\*Default setting

### View Activated by User (CCTV mode)

'CCTV Mode' must only be enabled at one door. Camera 1 at this entrance will then be the first camera to be viewed. On Version 1 BSD1's DIP SW3 (1-4) must also be all "ON" at that door.

### 'Global View' at Multiple Entrances

If 'Global View' is enabled, successive presses of the view button will enable all entrance to be viewed in turn, including any second cameras, if enabled.

Setting up the door controllers to enable 'Global View' requires careful setting of the switches. Not all entrances have to participate in 'Global View', and these entrances should remain set to 'Local View'.

For the participating entrances number the cameras 1, 2, 3, ...etc. It is recommended that the entrance selected for CCTV is also numbered as camera 1

NB. The sequence must start with 1; the maximum is 16. If an entrance has 2 cameras then it will have 2 consecutive addresses.

Each controller must also record the last camera number in the sequence – this will be the same setting for all participating entrances.

# bellissimo 1 Way Video Entry System

Below are a couple of examples and a blank table for your use.

Example 1: -

Entrance number	# Cameras at this entrance	First Camera DIP SW3 (1-4)	Last Camera DIP SW3 (5-8)
A	2	1	5
B	1	3	5
C	2	4	5

Example 2: -

Entrance	# Cameras at this entrance	First Camera DIP SW3 (1-4)	Last Camera DIP SW3 (5-8)
A	1	1	3
B	2	2	3

Customer's setup: -

Entrance	# Cameras at this entrance	First Camera DIP SW3 (1-4)	Last Camera DIP SW3 (5-8)
A			
B			
C			
D			
E			
F			
G			
H			
I			
J			
K			
L			

## BSD1 Door Controller Jumper Settings

### Camera Terminator

There is a separate jumper for both video Camera inputs. This has three settings, 75R for terminating coaxial cable, 100R for terminating twisted pair Cat5 cable and None for use when passing the cable on to another device or controller.

### Video Gain Control

The "Video Gain" jumper on door controllers should always be set to "0" unless directed by 'Bell System Technical Support'. This jumper is only required on some systems with very long camera to videophone cable runs well in excess of 150m. Inappropriate use of this jumper with short runs will cause picture problems.

### Reassurance tones

DDA reassurance tones are activated by placing a jumper between pins 1 & 2 of the "Prog" 5 pin header on the BSD1controller PCB (see diagram on page 26), the jumper is stored between pins 4 & 5. Once activated the speaker in the door panel will ring with the videophone and buzz when the lock is opened from the videophone.

# bellissimo 1 Way Video Entry System

## BS Videophone Switch Settings

### Mute Time Setting SW2 (1-4)

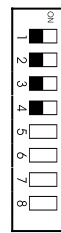
4	3	2	1	Mute Time
On	On	On	On	Disabled <sup>1</sup>
On	On	On	Off	2 minutes
On	On	Off	On	5 minutes
On	On	Off	Off	10 minutes
On	Off	On	On	15 minutes
On	Off	On	Off	20 minutes
On	Off	Off	On	30 minutes
On	Off	Off	Off	45 minutes
Off	On	On	On	1 hour
Off	On	On	Off	2 hours
Off	On	Off	On	4 hours
Off	On	Off	Off	5 hours
Off	Off	On	On	6 hours
Off	Off	On	Off	8 hours
Off	Off	Off	On	10 hours
<b>Off</b>	<b>Off</b>	<b>Off</b>	<b>Off</b>	<b>*Indefinite<sup>2</sup></b>

\*Default setting

<sup>1</sup>Disabled means pressing the **mute** button has no effect.

<sup>2</sup>Indefinite; the **mute** is cancelled by pressing the button again.

SW2



OFF ↔ ON

SW2



OFF ↔ ON

### Individual Functions DIP SW2 (5-8)

SW2-5	Master / Slave	Which videophone to set
*Off	Master	Only or first videophone per BSC4 output.
On	Slave / extension	Second and subsequent videophones per BSC4 output.
SW2-6	Auto Display on Ring	Videophone display behaviour
*Off	Display during ring	Picture is on while ringing, stays on when answered.
On	No display during ring	Picture is off while ringing, comes on when answered.
SW2-7	Mute Function	Action of muted videophone
*Off	Ringer mute only	Videophone indicates ring by flashing the <b>view</b> button, picture comes on if SW2-6 is off, no sound.
On	Disable videophone	Videophone does not respond to a call.
SW2-8	Video Terminator	Which videophone has the setting
Off	No termination	Any videophone not at the end of the cable.
*On	Terminated	The videophone at the end of the cable.

\*Default setting

# bellissimo 1 Way Video Entry System

## Troubleshooting

### Common Faults

A very high percentage of calls to our technical support number, regarding new installations, are resolved to faulty wiring. The reasons for these are various: -

Broken cores, especially short links, sometimes broken inside the insulation!

Connectors clamped onto the insulation instead of copper.

Wire in the wrong side of a rising clamp connection, the clamps need to be unscrewed far enough to stop the wire going "underneath".

Shorts or opens due to cables having been stapled or nailed through.

A common fault is wiring a connector left to right instead of right to left, or one or more twisted pairs the wrong way round.

**Tip.** The heads of screws on connectors are not a reliable means of making a connection with a meter, try pushing the probe into the wire entry point.

### Quick Fault Reference

These tables provide a quick indication of the possible fault.

Power Problems	
Videophone resetting (The three indicators lights show the power on sequence).	<ul style="list-style-type: none"><li>• Power supply intermittent short or overload.</li><li>• More than 1 extension enabled for auto display.</li><li>• Lock output short-circuit; see 'Lock Problems'.</li></ul>
28V LED does not light on controller.	<ul style="list-style-type: none"><li>• Temporarily remove connection to 28V+ output. If it now comes on there is a short on the phone cabling.</li><li>• 12V input connections are reversed.</li></ul>
PS4 output voltage fluctuating, meter reading unstable.	<ul style="list-style-type: none"><li>• Output overload is causing current limit to operate.</li><li>• See Lock Problems below.</li></ul>

Call Problems	
Videophone does not ring or flash when called.	<ul style="list-style-type: none"><li>• Videophone off hook or muted on full mute.</li><li>• No power to videophone; check that red lamp flashes when handset is picked up.</li><li>• Data wiring has a fault, Data A or B broken.</li><li>• 0V to controller missing on separately powered videophone.</li><li>• Pushbutton wiring error, try short length at controller.</li></ul>
No extension videophone rings or flashes when called.	<ul style="list-style-type: none"><li>• Master videophone off hook or muted on full mute.</li></ul>
Green Lock light on videophone flashes once when called.	<ul style="list-style-type: none"><li>• Videophone set to slave with no master present or responding.</li></ul>

# bellissimo 1 Way Video Entry System

Lock Release Problems	
Lock release does not operate or clicks but does not open.	<ul style="list-style-type: none"> <li>• Connections to Lock Release are open or shorted.</li> <li>• Voltage drop due to cable too thin.</li> <li>• Lock current is too high; Power supply is resetting.</li> <li>• Lock release jammed due to over tight fitting.</li> </ul>
Maglock does not hold strongly.	<ul style="list-style-type: none"> <li>• Voltage drop due to cable too thin.</li> </ul>
<b>TEST:</b> Press 'Test' Button on Door Controller (when system idle):	<ul style="list-style-type: none"> <li>• Confirm 'LOCK' LED illuminates for 3 seconds.</li> <li>• Check Output Voltage at LOCK terminals.</li> </ul>
Lock release operates all the time or in reverse.	<ul style="list-style-type: none"> <li>• Check fail safe/fail secure SW2-4 selection matches the lock type.</li> <li>• Normally closed switch has been used for exit button.</li> </ul>
Lock operates from the exit button but not the test button or phone.	<ul style="list-style-type: none"> <li>• Normally closed switch has been used for exit button.</li> </ul>

Video Problems	
Blank picture when: - Calling videophone or pressing <b>view</b> .	<ul style="list-style-type: none"> <li>• Broken or missing Video + or Video – wire.</li> <li>• Cameras incorrectly configured refer to SW2-6 settings on page 16</li> <li>• Call is from an audio only panel.</li> </ul>
No picture when calling videophone.	<ul style="list-style-type: none"> <li>• Check Auto display switch is on. See page 19.</li> </ul>
No picture when pressing <b>view</b> for CCTV mode.	<ul style="list-style-type: none"> <li>• Another videophone in use.</li> <li>• No entrance has SW2-8 set to 'Enable'.</li> <li>• Same entrance needs SW3 1-4 set all ON.</li> </ul>
Repeated pressing of <b>view</b> does not select cameras in sequence as expected.	<ul style="list-style-type: none"> <li>• Check SW2-6 at all entrances is set for correct number of cameras at that entrance.</li> <li>• Check settings for SW3 if SW2-7 is enabled.</li> <li>• See section 'Global View' on page 17.</li> </ul>
Unstable picture.	<ul style="list-style-type: none"> <li>• Power supply voltage low.</li> <li>• Terminator switch not set on last videophone.</li> <li>• Too many terminator switches set on.</li> <li>• Video gain jumper set to high on a short run.</li> <li>• Very bright area in background upsetting camera.</li> </ul>
Unstable picture possibly with areas looking like a photographic negative.	<ul style="list-style-type: none"> <li>• Video + and – reversed, or M and S reversed.</li> </ul>
Entrance cannot be seen at night.	<ul style="list-style-type: none"> <li>• Power not connected to camera IR night illumination. Connect 1 to + on camera.</li> </ul>

# bellissimo 1 Way Video Entry System

Speech Problems	
Loud tone at the entrance speaker. (Acoustic feedback).	<ul style="list-style-type: none"> <li>• Volume controls set too high.</li> <li>• Broken Audio 1 or 2 wire in the cabling.</li> <li>• Intermittent or broken wire in Data A or B.</li> <li>• Videophone has reset; see power faults.</li> <li>• More than one entrance has SW2-8 set to 'Enable' causing 2 entrances to become active on CCTV request.</li> <li>• Check model 61 is hard against the panel with no gaps.</li> <li>• Check model 61 speech unit is the right way round and that the microphone hole in the speech unit lines up with the hole in the panel.</li> </ul>
Low volume speech in one or both directions	<ul style="list-style-type: none"> <li>• Adjust pot on 61 speech unit marked A and with a speaker symbol for volume at the panel.</li> <li>• Adjust pot on 61 speech unit marked B and with a microphone symbol for volume at the phone.</li> <li>• If volume cannot be increased in one direction without feedback, the volume in the other direction may have to be reduced as a compromise.</li> <li>• Check model 61 is hard against the panel with no gaps.</li> <li>• Check model 61 speech unit is the right way round and that the microphone hole in the speech unit lines up with the hole in the panel.</li> </ul>
No speech from videophone to entrance.	<ul style="list-style-type: none"> <li>• Missing R core to door controller.</li> <li>• Broken Audio 1 or 2 connections.</li> </ul>
No speech from entrance to videophone.	<ul style="list-style-type: none"> <li>• Missing T core to door controller.</li> <li>• Broken Audio 1 or 2 connections.</li> </ul>

# bellissimo 1 Way Video Entry System

## Specifications

<b>BSD1 Door controller</b>	
Size	185mm x 230mm x 42mm
Supply Voltage	10.8V min, 13.8V typical, 15V max
Current Consumption	80mA idle @ 13.8V, 250mA active includes speech not cameras

<b>Model C-CAMBS Colour Camera</b>	
Size	60mm x 57mm x 31mm
Supply Voltage	10V d.c. minimum, 15V d.c. maximum
Current consumption	175mA maximum without IR 215mA maximum with IR (Link 1 to +)
Image Device	1/3" CCD
Sensitivity	0.01 lux, auto switching to B/W in low light levels
Minimum Focus	100mm
Viewing Angle	92° (typical)
Video Output	PAL composite video 1Vpk-pk (75 Ohm)
Resolution	More than 330 lines
Back light compensation	Yes

<b>BS Colour Videophone</b>	
Size	210mm x 260mm x 60mm
Fixing	Wall Mounted
Supply Voltage	11V minimum – local power supply only. 20V to 28V typical
Current Consumption	25mA @ 28V idle, 375mA @ 11V active
Buzzer Mute Time	Disabled, 1 minute through 10 hours, indefinite

<b>Model BSA Phone</b>	
Size	235mm x 105mm x 25mm
Supply Voltage	10V d.c. minimum, 30V d.c. maximum
Current consumption	20mA idle, 67mA ringing @ 13.8V

<b>Model 61 Speech Unit</b>	
Size	98mm x 60mm x 24mm
Supply Voltage	10V d.c. minimum, 15V d.c. maximum
Current consumption	100mA d.c. maximum

# bellissimo 1 Way Video Entry System

<b>PS4 Power Supply</b>	
Size	236mm x 105mm x 81mm
Output Voltage (regulated)	13.5V d.c. min, 13.8V d.c. nom, 14.1V d.c. max
Output Current	3A continuous, 4A peak (5 minutes max)
Mains Supply Internal Fuse	Not user replaceable
Supply Voltage	230V 50Hz nominal
Temperature Range	0 °C to 50 °C

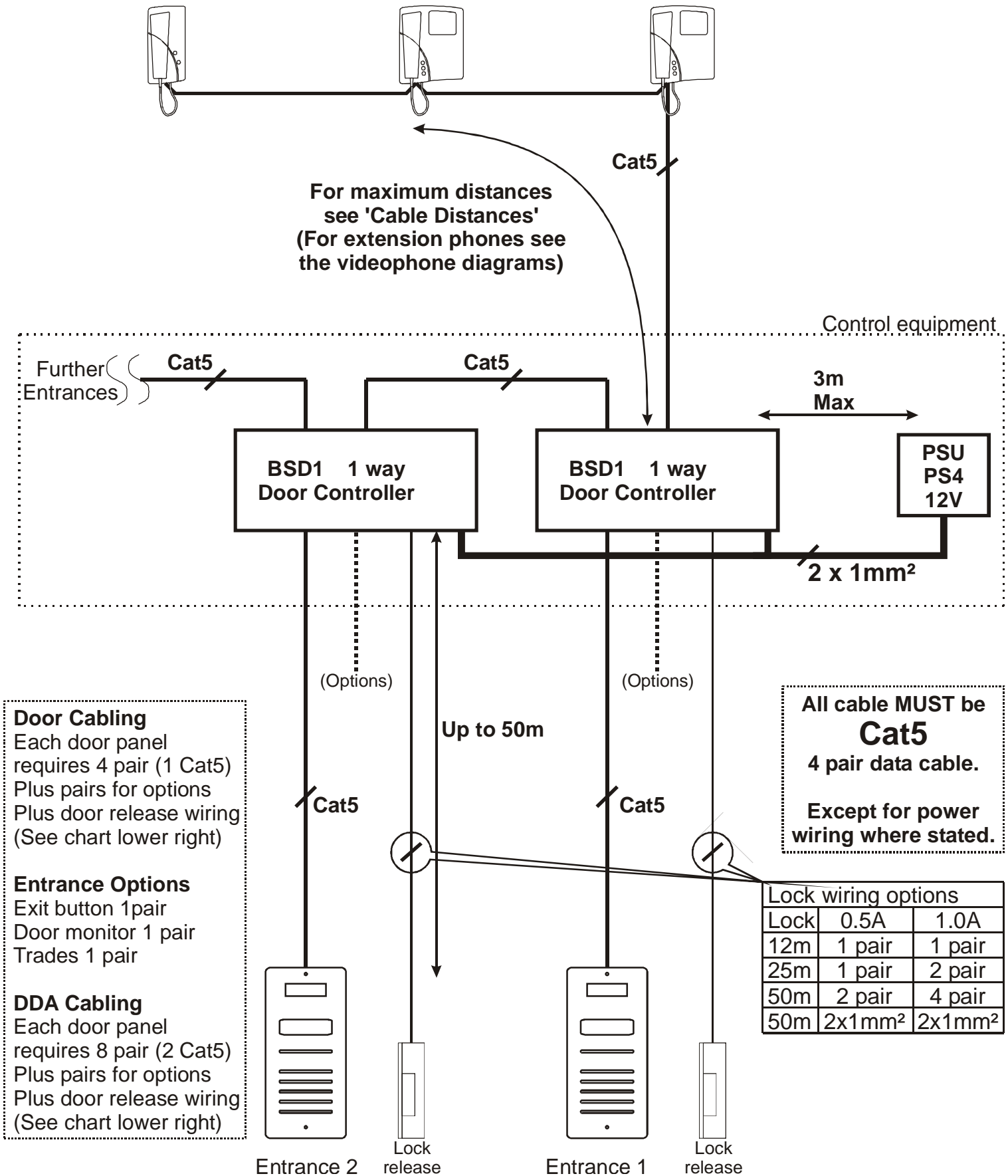
<b>340C Power Supply</b>	
Size	140mm x 60mm x 53mm
Output Voltage (regulated)	13.5V Min, 13.8V Nom, 14.1V Max
Output Current	1A continuous, 1.5A peak (5 minutes max)
Mains Supply Internal Fuse	Not user replaceable
Supply Voltage	230V 50Hz nominal
Temperature Range	0 °C to 50 °C

<b>840 Power Supply – Battery Backed</b>	
Size	350mm x 330mm x 80mm
Output Voltage (regulated)	13.5V Min, 13.8V Nom, 14.1V Max
Output Current	3A continuous, 4A peak (5 minutes max)
Mains Supply Internal Fuse	T2A 20mm HBC (HRC) Ceramic
Battery Fuse	F4A 20mm Glass
Supply Voltage	230V 50Hz nominal
Temperature Range	0 °C to 50 °C



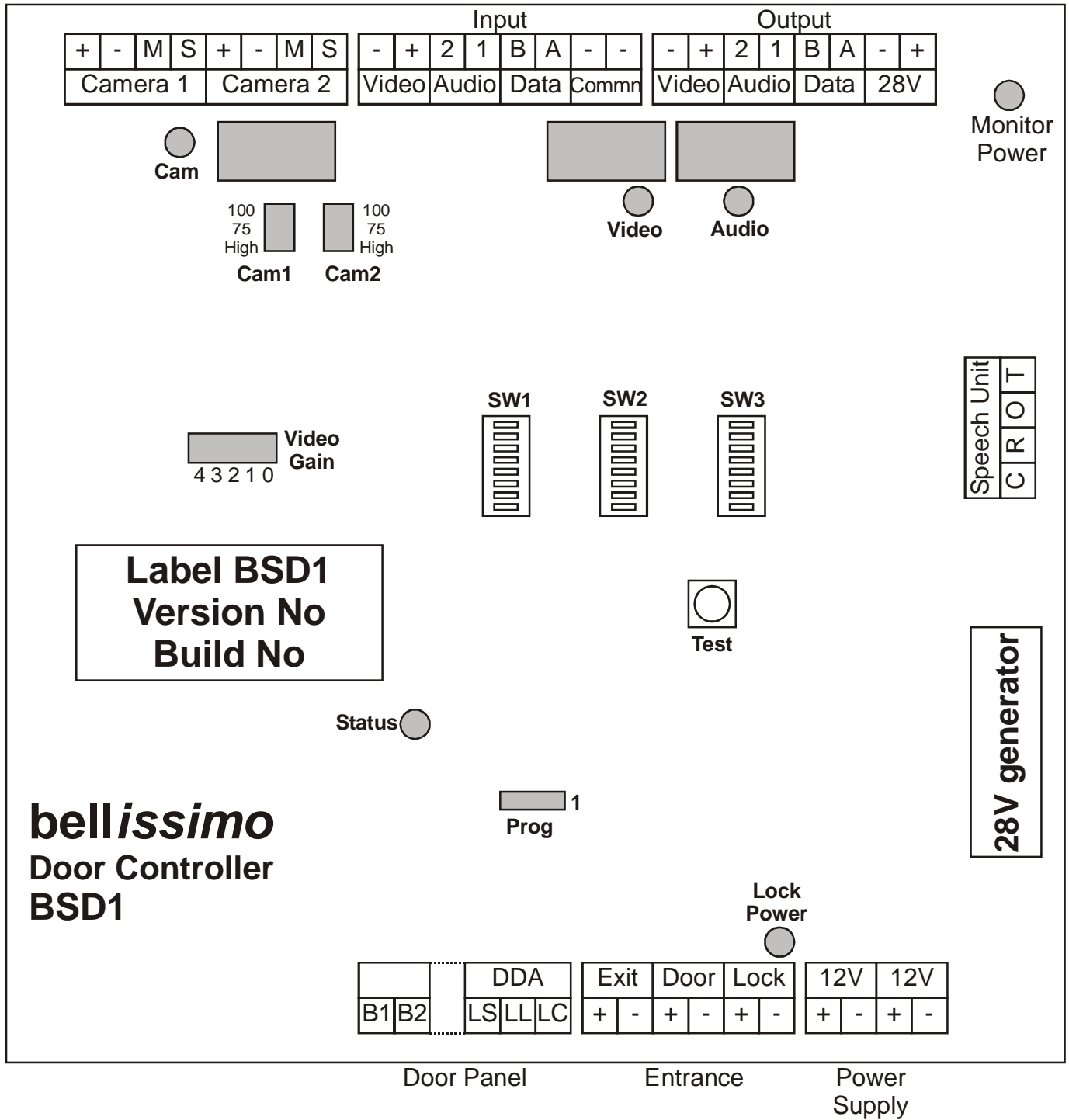
# bellissimo 1 Way Video Entry System

## Diagram A – 1 Way Cabling Overview



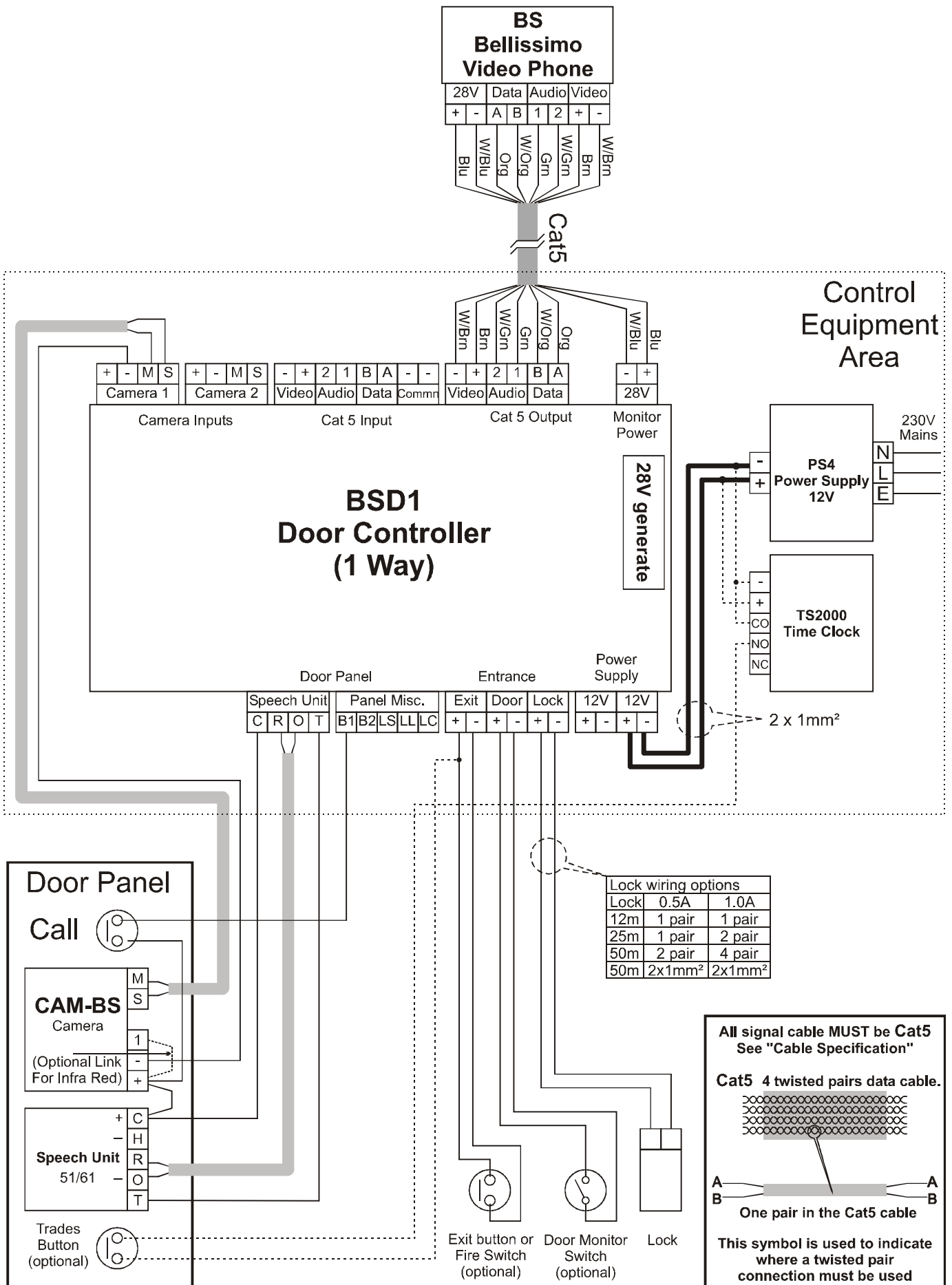
# bellissimo 1 Way Video Entry System

## Diagram B – 1 Way PCB Detail



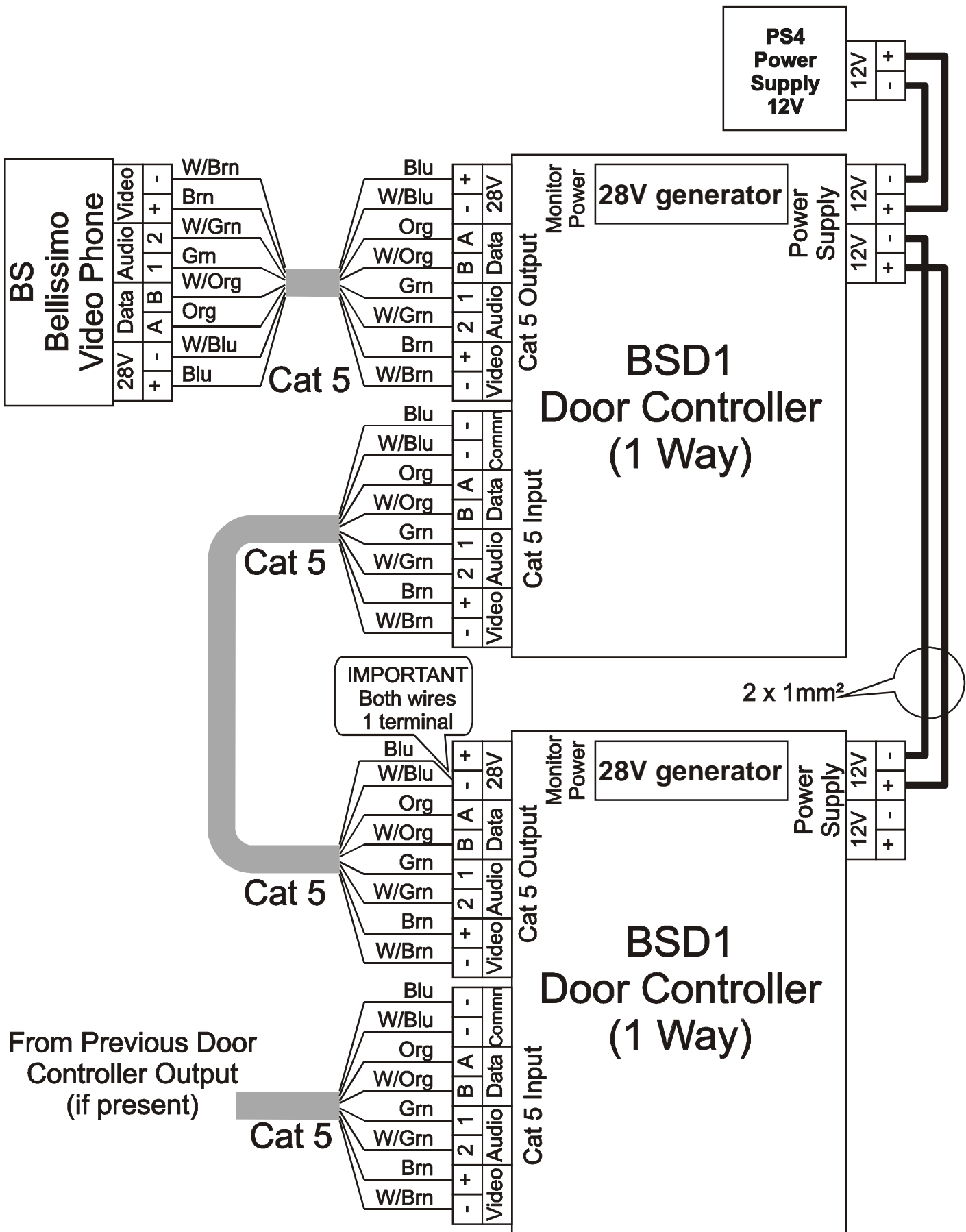
# bellissimo 1 Way Video Entry System

## Diagram C – 1 Way Basic System Wiring Detail



# bellissimo 1 Way Video Entry System

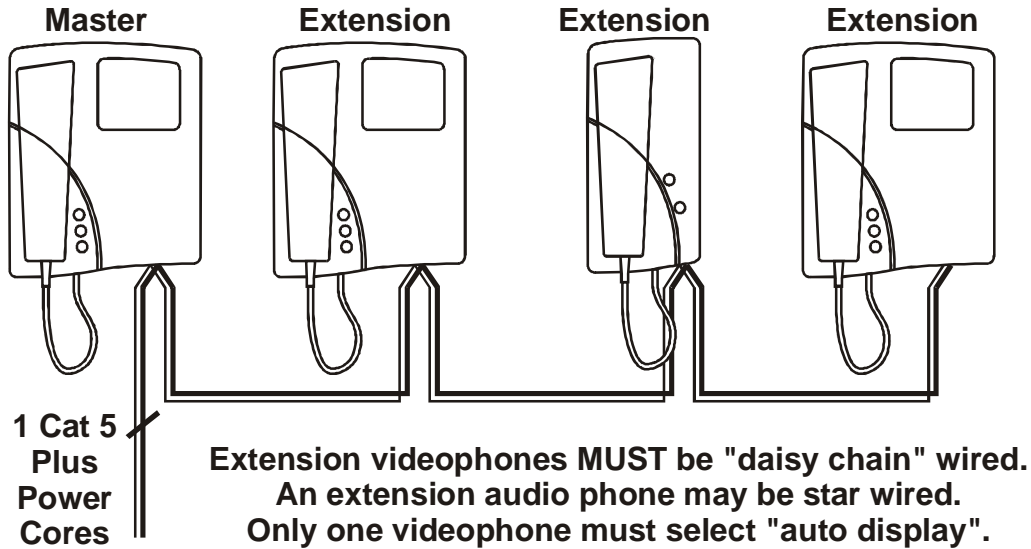
## Diagram D – 1 Way Multiple Entrance Wiring Detail



# bellissimo 1 Way Video Entry System

## Diagram E – Extension Videophone Wiring

See tables in text for maximum cable runs and cable cross sections.  
Additional power cores can be used for longer runs.

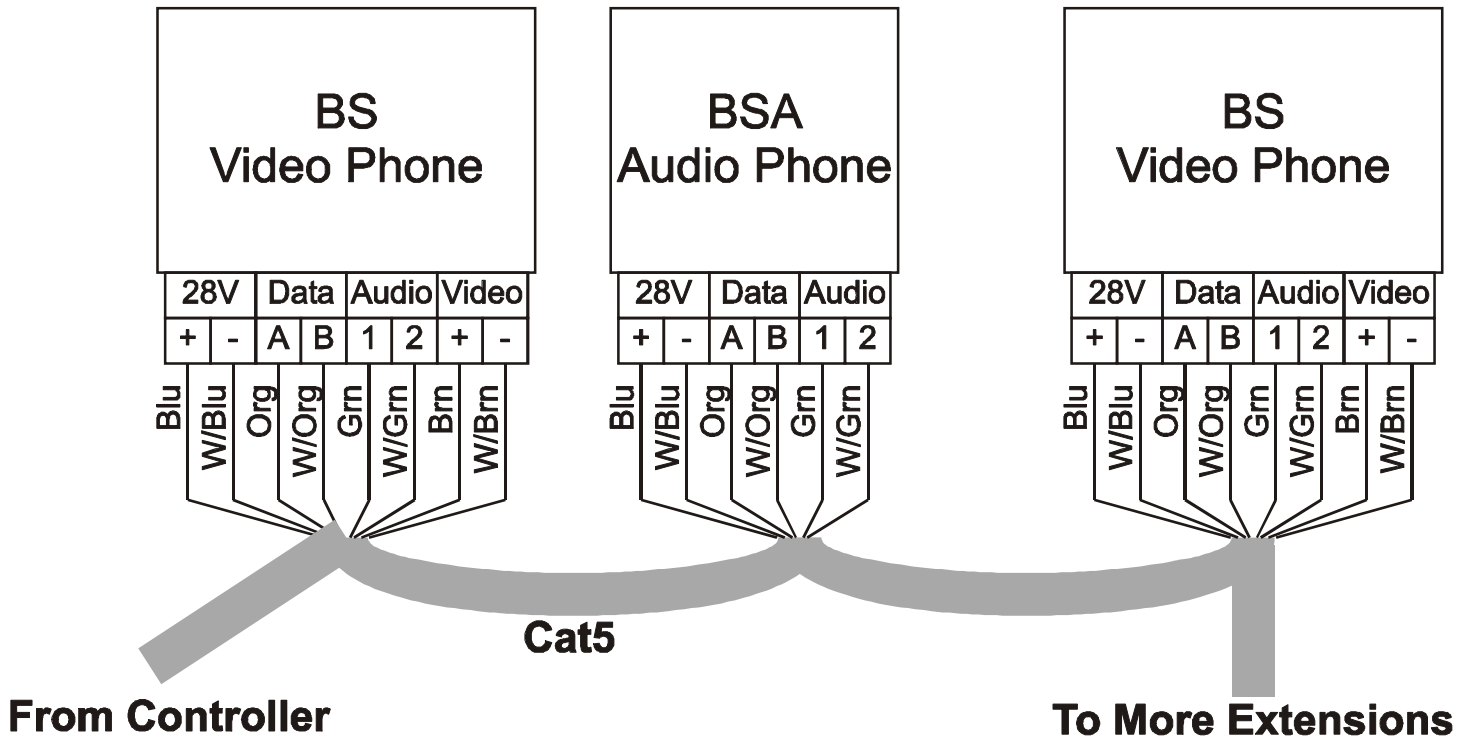


### Warnings for each flat run :-

Only one phone must be Master (Recommend first phone)

Auto display on one phone only (For auto display on multiple phones see next Diagram)

Last (or only) Phone on cable requires Dip-switch 8 ON all other Phones Dip-switch 8 OFF

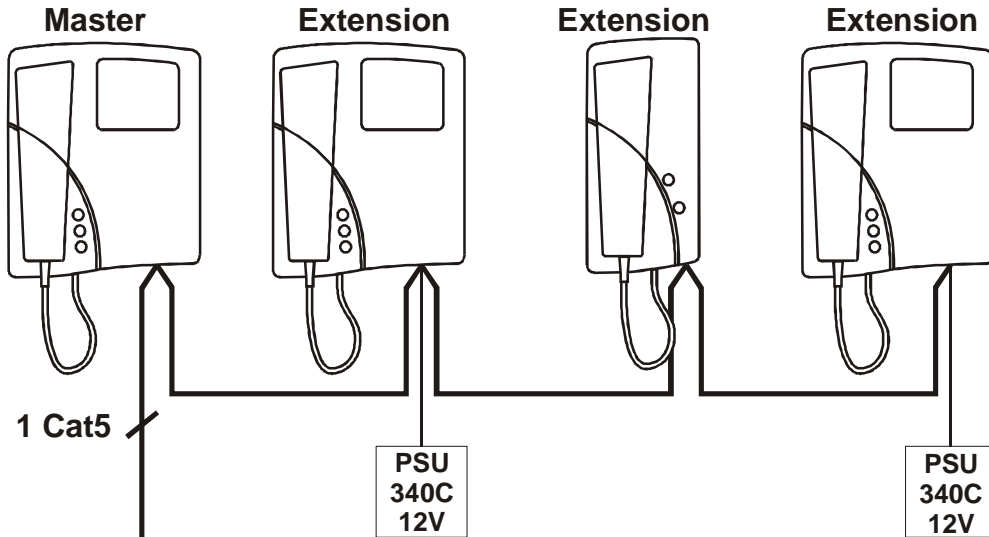


When additional power cores are required  
replace Blu and W/Blu with the thicker wires

# bellissimo 1 Way Video Entry System

## Diagram F – Videophone Local Power Wiring

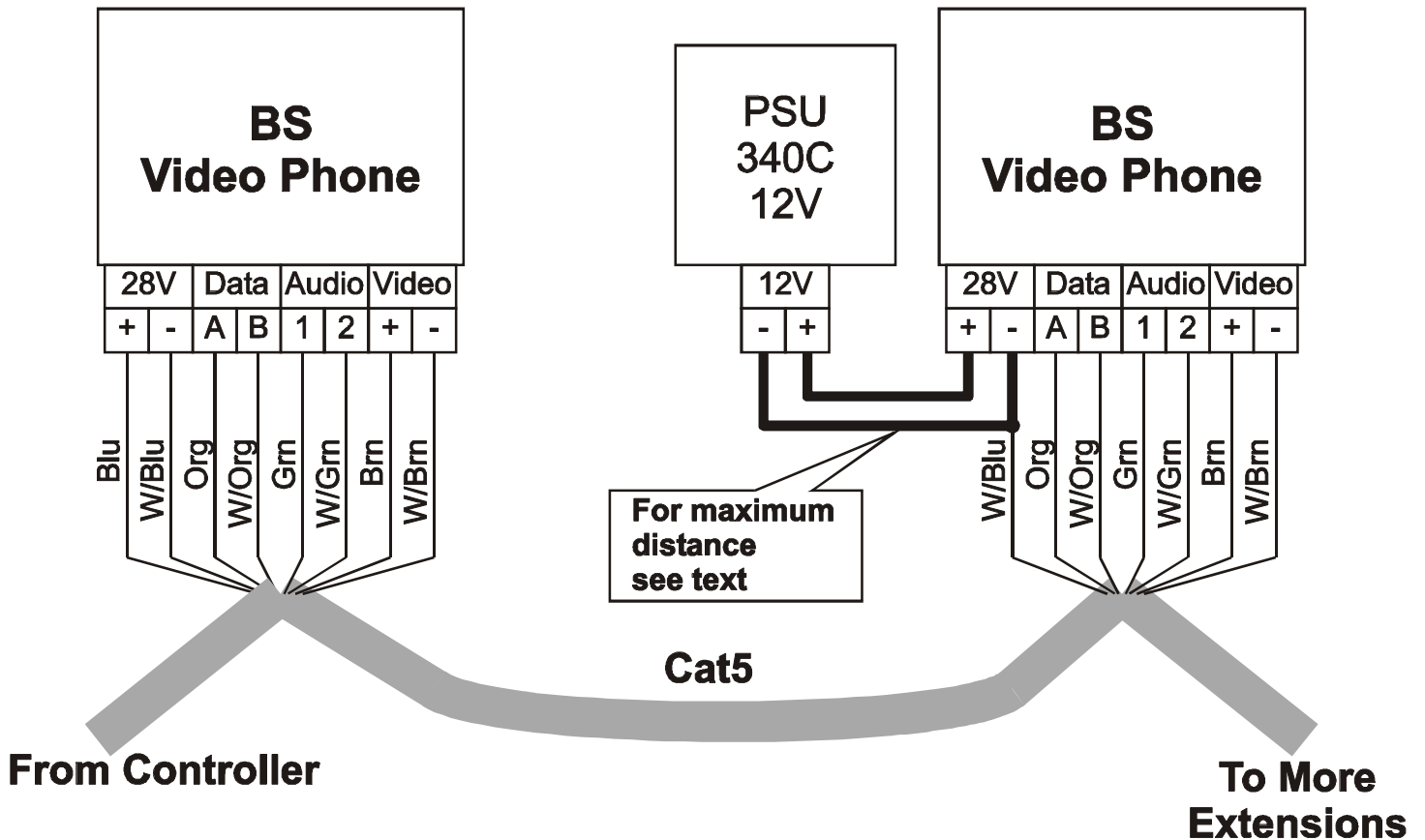
Where more than one extension phone is required to provide "auto display" then additional power supplies will be required



**IMPORTANT:**

The 28V - connection must be made between all phones and the controller.

The 28V + connection is only connected to the local power supply.

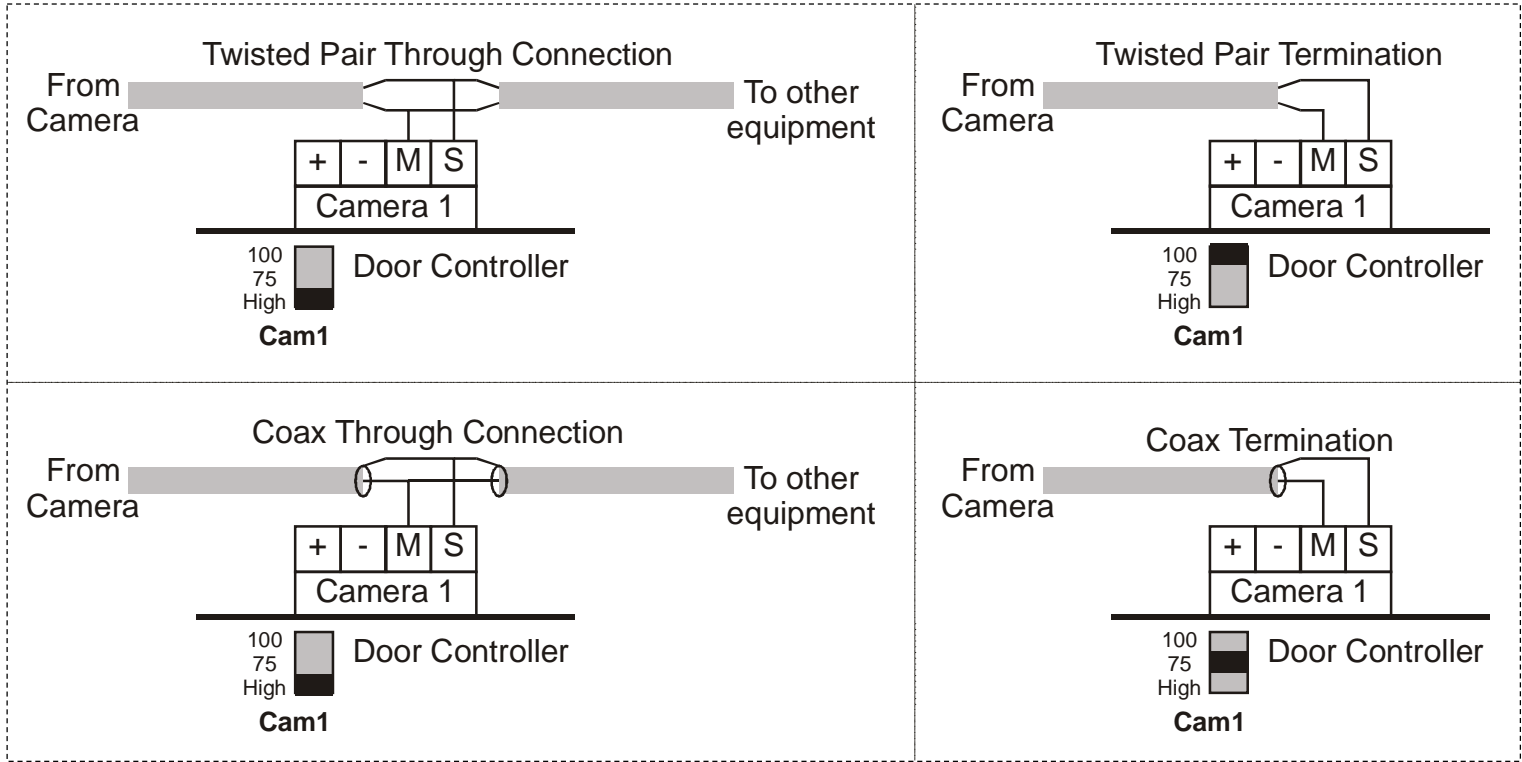


# bellissimo 1 Way Video Entry System

## Diagram G – Option Details

### Camera Termination Options

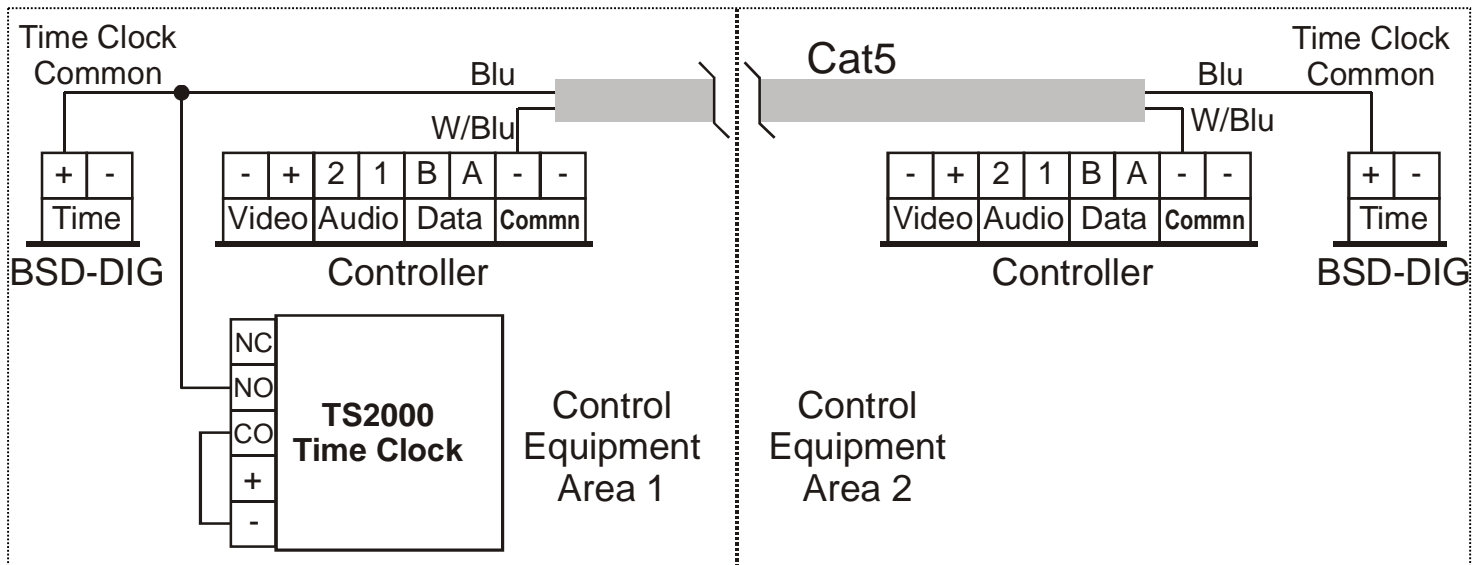
Cameras may be wired in either twisted pair or coax and shared with other equipment.



### Time Clock Sharing

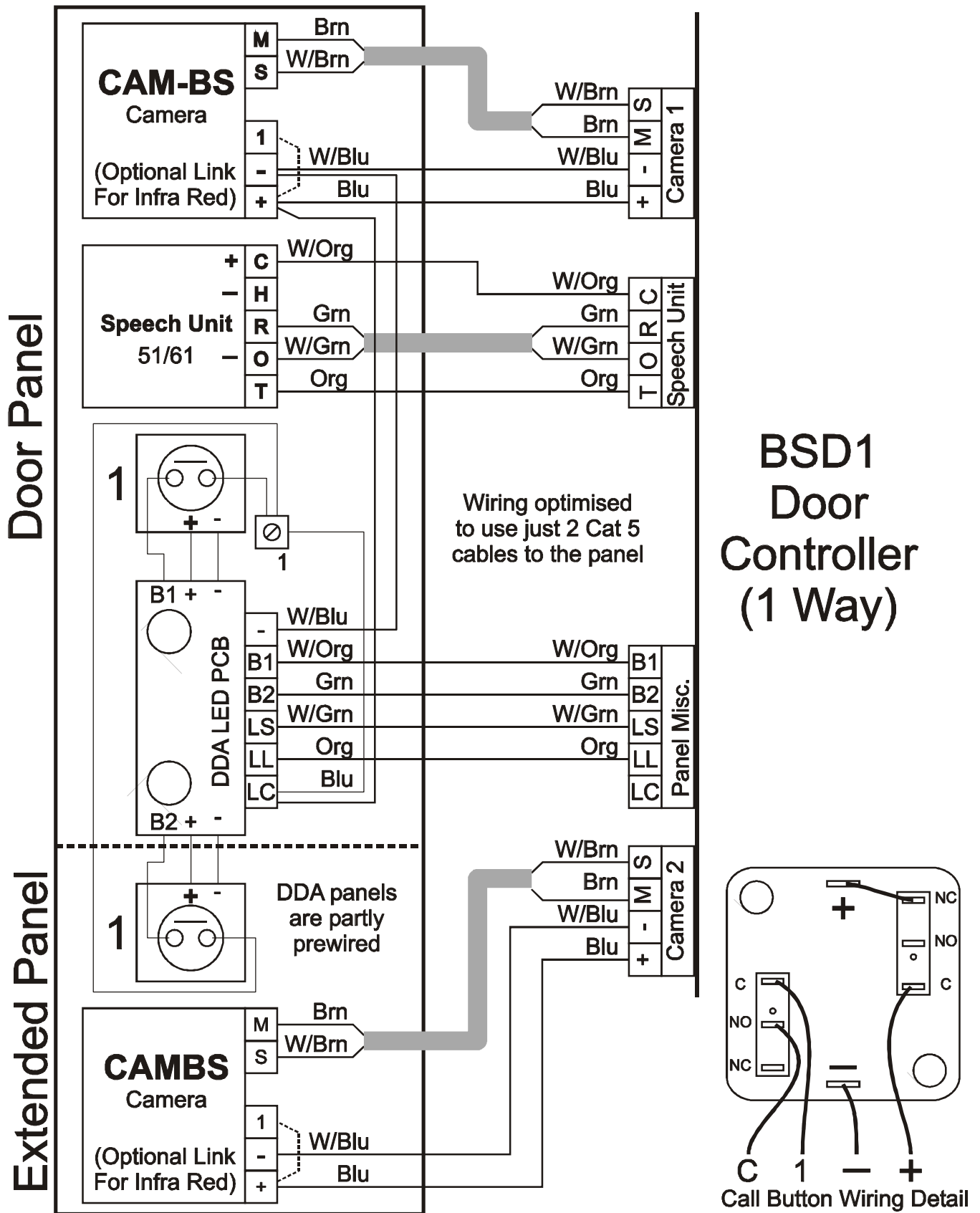
A time clock can be shared between distributed equipment areas by borrowing one of the 'comm -' wires in the interconnecting Cat5 to use as the shared "Time clock common".

The "Time clock common" signal is sharable across all Bell controller types.



# bellissimo 1 Way Video Entry System

## Diagram H – 1 Way Complete DDA Panel Wiring

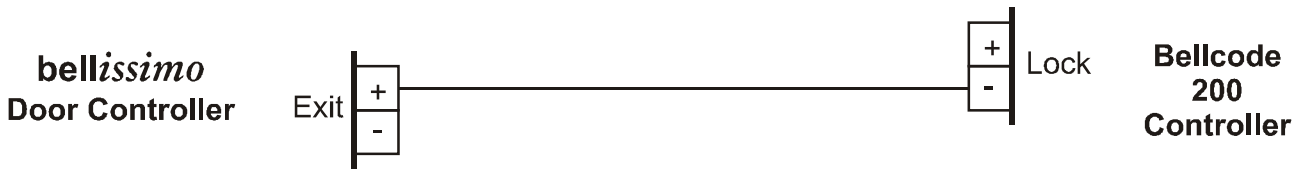




# bellissimo 1 Way Video Entry System

## Diagram I – bellissimo Combined System Connections

### Connecting a Bellcode Coded Access Controller

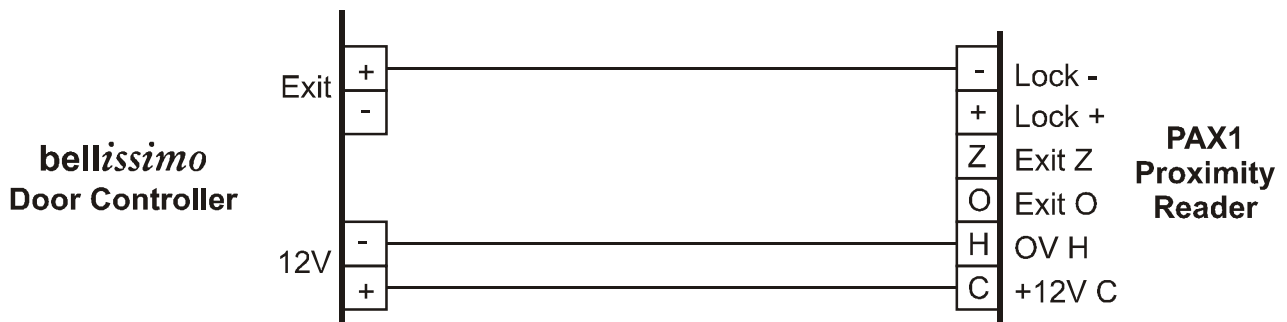


Connect the lock release as per this manual. Leave the Bellcode controller set to fail secure, the BSD controller sets the lock type.

See "Bellcode Manual inc CK200 CS109 (PD-078)" for the other installation and setting instructions.

- Note 1. A normally open exit button can still be wired to the Bellcode unit in addition to the bellissimo wiring.
- Note 2. A "12V -" connection will be required if the 2 units are not sharing a power supply.

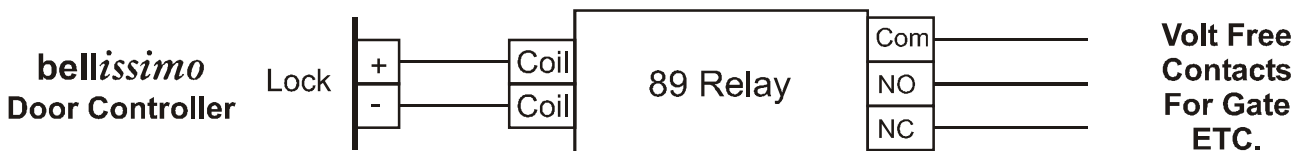
### Connecting a Bell PAX1 Proximity Reader



Connect the lock release as per this manual. Leave the Proximity Reader set to fail secure, the BSD controller sets the lock type.

- Note 1. A normally open exit button can still be wired to the BSD controller in addition to the proximity wiring.

### Opening a Gate or Locks on Third Party Systems



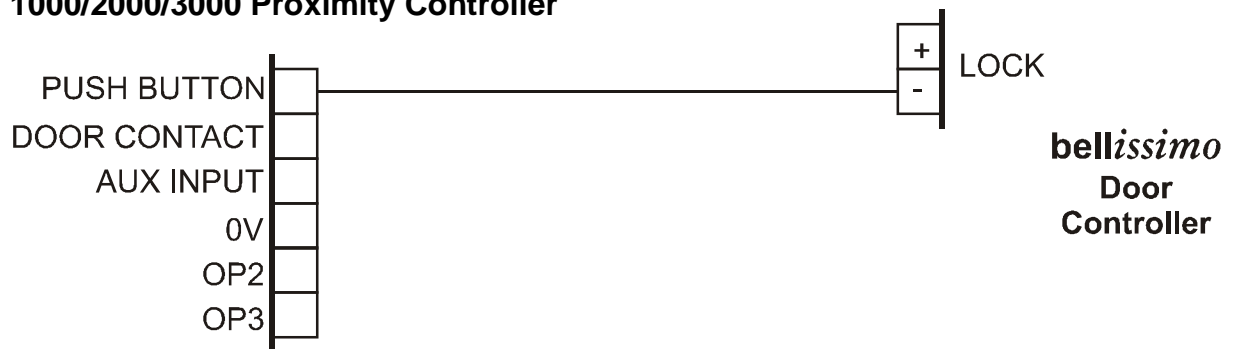
Leave the BSD controller set to Fail secure.

Use COM and NO or COM and NC as required for the gate controller or third party access system.

# bellissimo 1 Way Video Entry System

## Diagram J – ACT Proximity to bellissimo Connections

### ACT 1000/2000/3000 Proximity Controller



### ACT 100e Proximity Extender



### Notes

1. Connect the lock release or Maglock using the ACT Manuals.
2. Leave the BSD controller set to Fail Secure regardless of the type of release used.
3. A normally open exit button can still be fitted to the ACT controller in addition to the bellissimo wiring.
4. If the 2 units are not sharing a power supply, then a connection from BSD controller 12V - to ACT 0V will be required.
5. Look for the notes on the ACT installation diagram concerning the use of links when the door contact is not used and when a power supply without power fail is not used.

# bellissimo 1 Way Video Entry System

## Safety Information and Declarations

Connections to the 240VAC mains supply must be carried out by a qualified electrician or similar competent person, and made in accordance with current legislative requirements. A two-pole switch (as provided by a Consumer Unit or Switch-Fuse) must be included to isolate both Live and Neutral during Installation or Maintenance. The circuit must be protected by a fuse or other current-limiting device, rated according to the capacity of the cable used, up to a maximum of 10A. Use only mains cable to BS6004 or equivalent, within the following specified limits:

	Min	Max
Conductor Diameter	1.0mm (0.8mm <sup>2</sup> )	2.25mm (4mm <sup>2</sup> )
Cable Diameter	4.0mm	8.0mm

### Model 840 Power Supply (with battery standby)

The Model 840 power supply must be placed in a protected indoor environment such as an electrical cupboard. It must be secured to the wall with adequate fixings so that there is no possibility of it falling. The Lead-Acid Battery for the Standby Power Supply is shipped in separate packaging. It should only be connected once the system has been fully tested. Connection is made by 2 leads with spade terminals; observe the correct polarity - red to positive, black to negative. Care must be taken to ensure that the terminals of the battery are not shorted together by metal objects, as this may constitute a Fire Hazard. The Control Cabinet is IP55 rated (to exclude dust) and is vented to avoid the build-up of gases. Do not block any vents that may be apparent.

A good mains safety earth must be connected to the cabinet housing the power supply

Where the power supply is fitted with a replaceable internal mains fuse and or battery fuse, always replace with the same type as indicated on the power supply. The fuse must be approved to BS EN 60127 or equivalent.

Power Supply Model	Mains Fuse (Time Delay)	Battery Fuse (Quick Blow)
840	T2A 20mm HBC (HRC) Ceramic	F4A 20mm Glass

### Model PS4 and 340C Power Supplies

These power supplies must be wall-mounted onto plasterboard, or a similar non-conductive material, in a protected indoor environment such as an electrical cupboard.

When fitting the power supply cable (both mains and low voltage) ensure the cable entry cut-outs in the enclosure lid are no larger than necessary for the cable diameter used and under no circumstances must they be taken beyond the outer cut-out zones.

# bellissimo 1 Way Video Entry System

## Bell System (Telephones) Ltd.

Presley Way,  
Crown Hill,  
Milton Keynes  
MK8 0ET.

Tel: 01908 261106 (Sales and Technical Support)

FAX: 01908 261116

OR

Local rate numbers

Tel: 0845 121 4008 (Sales and Technical Support)

FAX: 0845 121 4009

E-mail: [sales@bellsystem.co.uk](mailto:sales@bellsystem.co.uk)

[technical@bellsystem.co.uk](mailto:technical@bellsystem.co.uk)

Website: [www.bellsystem.co.uk](http://www.bellsystem.co.uk)

## Standards

This product complies with European directive 89/336/EEC on  
Electromagnetic Compatibility and Low Voltage Directive 72/23/EEC.

Emissions: Generic BSEN 61000-6-3

Immunity: Generic BSEN 61000-6-1

Low Voltage: Generic BSEN 60950



**bell**  
**system**  
(Telephones) Ltd



BS EN ISO 9001:2008 Certificate number GB2000389