

Downflow Fan Heater
Model : FX 20 IPX4

08/35383/1 Issue 1

BEAB
Approved

(IP24)

Dimensions

(millimetres)

Model(s) Specification

FX 20 IPX4 (High Level) 1/2kw + Adjustable Thermostat (internal by installer)

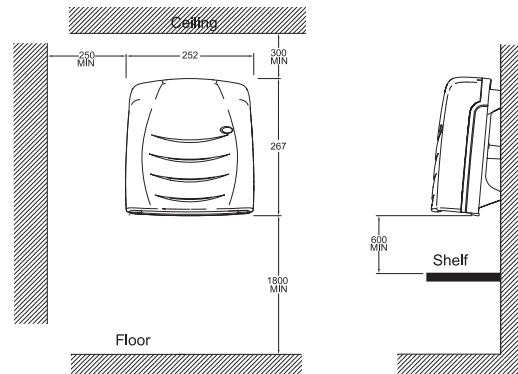


Fig. 1

THESE INSTRUCTIONS SHOULD BE READ CAREFULLY AND RETAINED FOR FUTURE REFERENCE

IMPORTANT SAFETY ADVICE

WARNING - DO NOT USE THIS HEATER IN THE IMMEDIATE SURROUNDINGS OF A BATH, A SHOWER OR A SWIMMING POOL.

DO NOT COVER THE APPLIANCE or place material or garments on it, or obstruct the air circulation around this appliance, for example with curtains or furniture, as this could cause overheating and a fire risk.

DO NOT PLACE AEROSOLS OR OTHER CONTAINERS SUSCEPTIBLE TO HEAT IN THE DIRECT AIRFLOW FROM THE UNIT.

THIS HEATER MUST NOT BE LOCATED IMMEDIATELY BELOW A FIXED SOCKET OUTLET.

This heater must be installed so that the switches and other controls cannot be touched by the person in the bath or shower

The appliance is not intended for use by children or other persons without assistance or supervision if their physical, sensory or mental capabilities prevent them from using it safely. Children should be supervised to ensure that they do not play with the appliance.

WARNING – DISCONNECT THE HEATER FROM THE ELECTRICITY SUPPLY BEFORE UNDERTAKING SERVICE OR REPAIR.

WARNING – If the appliance is fitted in a bathroom, a cable outlet will be necessary with the supply to the unit controlled by a double pole switch. The switch if inside the bathroom should be pull cord operated and if outside should be adjacent to the entrance door. The appliance must be mounted so that no part of it can be touched by any person using bath or shower.

THIS HEATER MUST NOT BE OPERATED WITHOUT THE COVER CORRECTLY IN POSITION.

Warning : In order to avoid a hazard due to inadvertent resetting of the thermal cutout, this appliance must not be supplied through an external switching device, such as a timer, or connected to a circuit that is regularly switched on and off by the utility.

General

The heater has a loading of 2KW. It is designed for permanent wall mounting and is suitable for operation on A.C. electricity supply having the same voltage as shown on the rating label.

The heater is fitted with an internally mounted selector switch which on installation of the heater allows a choice of 1kW or 2kW output to suit the dimensions of the room to be heated.

In rooms of less than 9 – 11 cubic m. (350 - 400 cubic ft.) 1kW output should be selected, otherwise nuisance tripping of the thermal overload cut-out may occur.

NOTE : THE SWITCH HAS BEEN FACTORY SET FOR 2KW OPERATION.

SUPPLY CABLE IS NOT SUPPLIED WITH THIS APPLIANCE AND IT SHOULD THEREFORE BE INSTALLED BY A COMPETENT ELECTRICIAN IN ACCORDANCE WITH THE IEE REGULATIONS.

Controls

The **cut-out** is a safety device which switches off the heater and fan if for any reason the appliance overheats - see 'Safety'.

The **thermal fuse link** is provided as an added safety feature, and operates to open circuit if there is abnormal overheating within the appliance. The operation of these safety devices is described under 'Safety'

The **pull cord switch** operates the ON/OFF switch. (An indicator light illuminates to show when the heater is ON and does not illuminate when the heater is OFF) .

The heater is fitted with an **adjustable thermostat**, which has three different settings : 1. - Low, 2. - Medium, 3 - High. This gives you an approximate room temperature range of 18°C - 32°C depending on room size. The temperature switches to half heat when the room warms up. Full heat will be switched on automatically when the room temperature falls. This can be adjusted by installer, by removing top cover. The thermostat will only function when 2KW is selected. The thermostat has been factory set on '2' (Medium).

To adjust the thermostat setting or reset selector switch first remove the top cover, then adjust thermostat to required setting, or reset selector switch to 1kW or 2kW as required, then refit top cover.

Safety

Cut-Out

For your safety, this appliance is fitted with a thermal cut-out. In the event that the product overheats, the cut-out switches the heater off automatically. To bring the heater back into operation, remove the cause of overheating, then turn off the electrical supply to the heater for a few minutes.

When the heater has cooled sufficiently reconnect and switch on the heater.

Fuse Link

A thermal fuse link is provided as an added safety feature. If the fuse link operates and opens circuit it is the result of abnormal overheating within the appliance, and servicing of the appliance by a competent service engineer will be required in order to ensure the future safe operation of the heater. Dimplex Customer Services should be contacted, who will arrange the replacement of any faulty parts and the fitting of a new fuse link.

Installation

Before undertaking installation work, ensure the electricity supply is disconnected from any relevant fixed wiring. Supply cable is not supplied with this appliance and it should therefore be installed by a competent electrician in accordance with the IEE wiring regulations.

The supply circuit must be adequate for the input of the appliance and must be protected with a 13A fuse.

A suitable termination to the fixed wiring of the premises must be provided adjacent to the final position of the appliance through a double pole switch having a contact separation of at least 3mm in all poles.

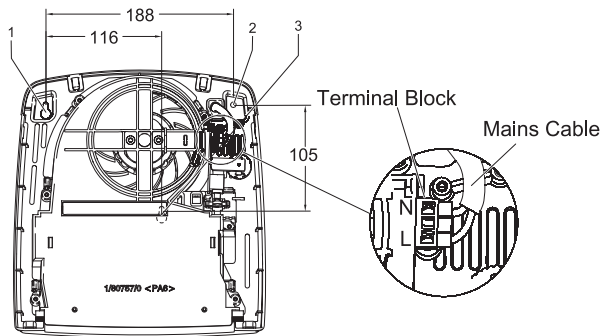


Fig. 2

Installation Procedure

It is essential to observe minimum wall mounting clearances - see Fig. 1. The appliance should be fitted horizontally, with the cable entry at the top and grille at the bottom. It must be mounted not less than 1800mm above the floor with a clearance of at least 600mm to any shelf or projecting surface below the heater and not less than 300mm below the ceiling or other projecting surface. It must also be not less than 250mm from an adjacent projecting surface. For most effective heating performance, the heater should be mounted at the minimum height :-

i.e. - 1800mm above the floor.

Care must be taken to ensure that when in use, the air stream is not obstructed by a high shelf or cabinet.

The appliance is secured to the wall with three screws, two through keyhole slots '1' & '3' and one through a hole '2' to hold the appliance firmly in position (see Fig. 2).

1. Remove the top cover from the appliance by removing the two screws securing the top cover and hinging it back.
2. Mark the position of the two keyhole slots '1' & '3' (see Fig. 2 for dimensions) on the wall and drill and plug for the two suitable screws.
3. Partially insert the two screws, then hang the appliance on these screws. Mark the position of the third hole. this is used to secure the product.
4. Remove the appliance and drill and plug for the third screw.
5. Remount the appliance on the wall using the two keyhole slots.
6. Feed the supply cord or wires through the inlet at the top rear of the appliance leaving sufficient free length to connect to the terminal block.
7. Make electrical connections to the terminal block ensuring that the live connection is made to the terminal marked 'L' and the neutral connection to the terminal marked 'N' (see Fig. 2 exploded view).
8. Fix the product in place by inserting and tightening the third screw. Fix mains cable securely using the products cable clamp
9. Set the selector switch to provide either 1kW or 2kW output.
10. Replace the top cover and screws.

The appliance is now ready for use and the electricity supply can be reinstated.

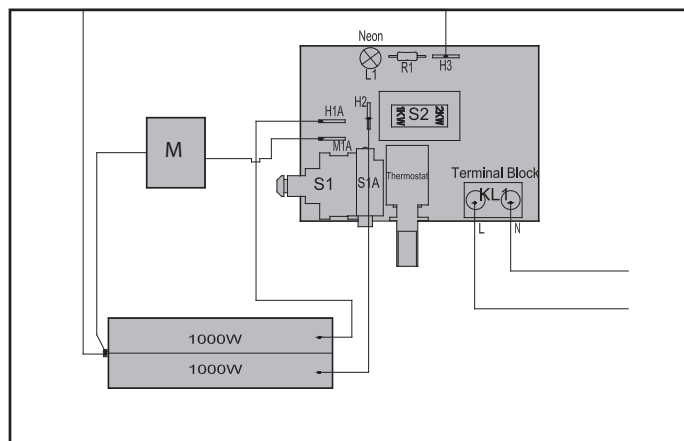


Fig. 3 - FX20IPX4 Wiring Diagram

FX20IPX4 Controls

The heater is fitted with a pull cord operated ON/OFF switch, a thermostat, a cut-out, and a thermal fuse link. The heater has an internal adjustable thermostat which can be adjusted by installer (i.e. the top cover has to be removed), see Fig. 4 for controls details with cover removed. Temp. range 18°C - 32°C.

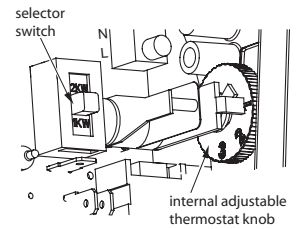


Fig. 4

Cleaning and User Maintenance

WARNING: BEFORE UNDERTAKING CLEANING OR MAINTENANCE WORK ON THE APPLIANCE IMMEDIATELY DISCONNECT THE ELECTRICITY SUPPLY BY SWITCHING OFF AT THE ADJACENT DOUBLE POLE SWITCH.

The outside can be cleaned by wiping it over with a soft damp cloth and then dried. Do not use abrasive cleaning powders or furniture polish as this can damage the surface finish.

Ensure that dust or fluff does not accumulate inside the heater as this could lead to overheating of the element. Use a vacuum cleaner to remove any fluff which does accumulate.

Recycling



For electrical products sold within the European Community. At the end of the electrical products useful life it should not be disposed of with household waste. Please recycle where facilities exist. Check with your Local Authority or retailer for recycling advice in your country.

After Sales Service

Your product is guaranteed for one year from the date of purchase.

Within this period, we undertake to repair or exchange this product free of charge subject to availability provided it has been installed and operated in accordance with these instructions.

Your rights under this guarantee are additional to your statutory rights, which in turn are not affected by this guarantee.

Should you require after sales information or assistance with this product please go to www.dimplex.co.uk where you will find our self help guide by clicking on "After Sales" or ring our helpdesk on 0845 600 5111 (UK) or 01 842 4833 (R.O.I.) .

Spare parts are also available on the website

www.dimplex.co.uk

Please retain your receipt as proof of purchase.

CE The product complies with the European Safety Standards EN60335-2-30 and the European Standard Electromagnetic Compatibility (EMC) EN55014, EN60555-2 and EN60555-3. These cover the essential requirements of EEC Directives 2006/95/EC and 2004/108/EC

Dimplex UK Ltd.
Millbrook House
Grange Drive
Hedge End
Southampton
Hampshire. SO30 2DF

www.dimplex.co.uk

Republic of Ireland Tel. 01 8424833

[c] Dimplex UK Limited

All rights reserved. Material contained in this publication may not be reproduced in whole or in part, without prior permission in writing of Dimplex UK Limited.