

Project Ref:

Product Name:

Model Numbers:

DX001

Downflow Heater

FX20VL



Product Description

Installed fan heater with adjustable thermostat designed for low level mounting.

Key Features

- 2kW maximum output
- 1kW output selectable on installation
- Visual ON/OFF indicator
- Adjustable thermostatic control
- Designed for low level mounting - no pull cord
- IP22 rated

Technical Specification

Controls

Rotary On/Off/Thermostatic control

Visual On/Off indicator

1kW/2kW output selector (internal - set up at installation)

Element

2kW stitched type with thermal fuse protection

Thermostat

Range 18°C - 32°C. Adjustable by rotary thumb wheel control

Installation

Two key slot fixings, plus third fixing hole.

Construction

Double insulated plastic case. Moulded in flame-retardant Nylon.

Thermal Cut Out

Manual reset cut out and thermal fuse link on element

Colour/Finish

White

Cable length

None fitted

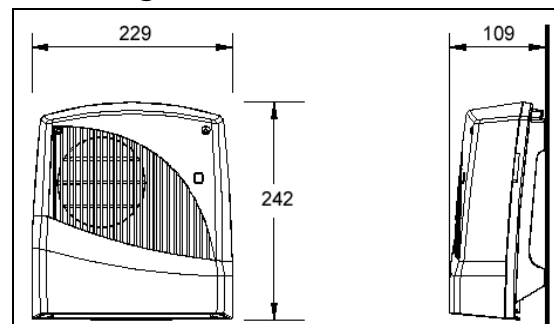
IP Rating

IP22

Standard Warranty

12 months

Product Range Details



Performance	
Maximum Output	2kW
Selectable Outputs	1kW, 2kW (selectable on installation only)
Dimensions	
Height	242mm
Width	229mm
Depth	109mm
Weight	1.1kg
Packaging	
Item number	016287
Packed dimensions (h/w/d)	260 x 245 x 120 mm
Primary packing material	cardboard
Secondary packing material	1 polybag
Total packed weight	1.3kg

Additional Information

BEAB approval pending

Accessories

No accessories are available for this product.