

#### Dimensions

(millimetres)

Model(s)	Specification
G2T	2.0kw Thermostat
G2TA	2.0kw Thermostat
G2S	2.0kw Heat Switch
G2SA	2.0kw Heat Switch
G2TS	2.0kw Thermostat + Heat Switch
G2TSA	2.0kw Thermostat + Heat Switch

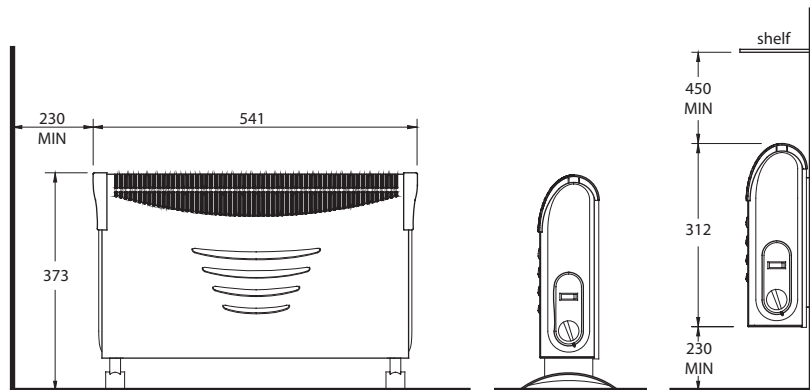


Fig. 1

**IMPORTANT: THESE INSTRUCTIONS SHOULD BE READ CAREFULLY AND RETAINED FOR FUTURE REFERENCE**

#### IMPORTANT SAFETY ADVICE

**WARNING –THIS APPLIANCE MUST NOT BE USED IN A BATHROOM**

**WARNING - DO NOT USE THIS HEATER IN THE IMMEDIATE SURROUNDINGS OF A BATH, A SHOWER OR A SWIMMING POOL.**

**WARNING – THIS HEATER MUST NOT BE LOCATED IMMEDIATELY BELOW A FIXED SOCKET OUTLET.**

**DO NOT USE THE HEATER UNTIL THE FEET OR WALL BRACKETS ARE FITTED CORRECTLY.**

**FOLLOW** these instructions carefully.

**NEVER** cover or obstruct in any way the heat outlet slots at the top of the heater or the air inlet slots in the base of the heater.

The heater carries a warning 'DO NOT COVER' to alert the user to the risk of fire that exists if the heater is accidentally covered.

This appliance is not intended for use by children or other persons without assistance or supervision if their physical, sensory or mental capabilities prevent them from using it safely. Children should be supervised to ensure that they do not play with the appliance.

If young children, the aged or infirm are likely to be left in the vicinity of the heater, we advise that adequate precautions should be taken.-

We recommend that a guard be fitted to ensure contact with the heater is avoided and objects cannot be inserted into the product.

If the mains lead is damaged, it must be replaced by the manufacturer or its service agent or a similarly qualified person in order to avoid a hazard.

For further information, please contact our guard supplier direct on Tel. No. 01603 667957, or in case of difficulty or for further advice contact the Customer Helpline.

**GREEN AND YELLOW :** EARTH  
**BLUE :** NEUTRAL  
**BROWN :** LIVE

Connect the **GREEN AND YELLOW** wire to the terminal marked 'E' or by the earth symbol  $\oplus$ , or coloured **GREEN** or **GREEN AND YELLOW**. Connect the **BROWN** wire to the terminal marked 'L' or coloured **RED**. Connect the **BLUE** wire to the terminal marked 'N' or coloured **BLACK**.

#### General

The heater may be used free standing on feet or wall mounted on brackets. The necessary feet and wall brackets are provided. The heater should only be operated when in the upright position as shown in Fig. 1 above.

#### To fit feet

Locate the feet by aligning the pins in the feet with the holes on the heater base, and push firmly until the feet click in to position - see (c) in Fig. 2.

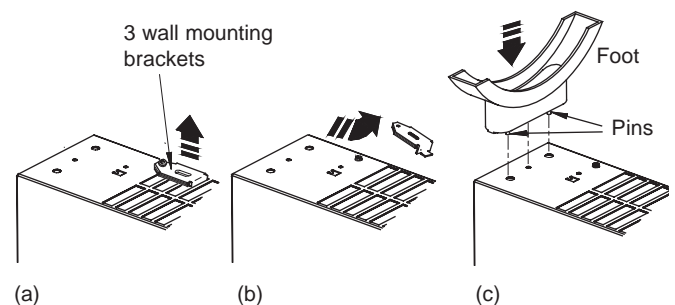


Fig. 2

**ON NO ACCOUNT SHOULD THE HEATER BE USED FREE STANDING WITHOUT THE FEET FITTED.**

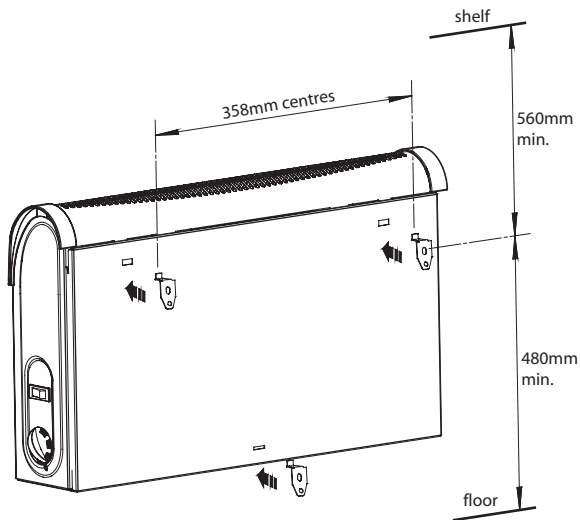
#### Positioning the heater

Always ensure that the heater is stood on a firm, level base near to, but not directly beneath, a suitable mains supply socket. Ensure that curtains and furniture are not positioned close to the chosen position, as this would create a potential fire hazard. We recommend that the heater should be wall-mounted in rooms where children may be left unattended. See also 'Important Safety Advice'

#### Electrical connection

##### WARNING – THIS APPLIANCE MUST BE EARTHED

**IMPORTANT :** If the plug is not suitable for your socket, the plug should be removed. Before wiring the appropriate plug, please note that the wires in this mains lead are coloured in accordance with the following code :



**Fig. 3**

## Wall Mounting

**IMPORTANT** – The wall brackets supplied with the heater must be used.

The heater should be positioned observing the minimum clearances - see **Fig. 1** and in accordance with the safety warnings.

Three identical wall mounting brackets are secured to the base of the heater with a fixing screw. To wall mount appliance, first remove the brackets as follows :

Lay the heater on its back.

Following the sequence in **Fig. 2** – identify and remove the fixing screw securing the brackets as shown in (a), then pull out brackets and rotate them to disengage them from the slot (b).

Select a suitable position on a wall, near to a mains power socket, making sure that there is *at least* 230 mm below the heater and *at least* 450 mm above the heater of unobstructed space - see also 'Positioning the heater'.

Fix the two top retaining brackets to the wall, using suitable fixings at 358mm centres – see **Fig. 3**.

Locate the heater on the top brackets and allow it to hang in place.

Fit the bottom bracket into the slot in the heater and then fix it to the wall.

Test that the heater is now securely fixed to the wall.

## Thermostat

The thermostat controls the heat output according to the room temperature. This ensures that the heater will not produce heat unnecessarily when the room is warm. To set the temperature you require, turn the thermostat knob clockwise until the desired temperature is reached. Alternatively to heat a cold room quickly, turn the thermostat knob up fully. When the room has reached the desired temperature, turn the thermostat knob anti-clockwise until the thermostat just clicks off.

The heater will now automatically operate at this temperature.

The thermostat also has a frost protection setting marked '❄️'. This setting is useful in areas such as garages to prevent frost damage. If the thermostat is set to its minimum setting '❄️', the heater will cycle ON and OFF to maintain a temperature of approximately 5°C to help protect against frosty conditions.

## Heat Selector Switch

The heat selection switch is an economy feature.

The switch is a 2 position switch with two possible heat settings as follows;

- I - The heater operates at half heat output.
- II - The heater operates at full heat output.

## Important Notes

Although this heater is manufactured to comply with the relevant safety standards, certain types of carpets could become discoloured by the temperatures under a portable heater. If you are concerned about this, we recommend that you contact the carpet manufacturer for guidance. Alternatively, either stand the heater on a suitable base to shield the carpet or wall-mount it – call our Helpline for further advice.

You may notice some parts of the element appearing to glow hotter or redder from time to time because of the variable airflow through the heater. This does not cause a safety hazard.

The heat outlet grille may become discoloured with use – this is caused by airborne pollution and is not a fault.

## Safety – overheat protection

For your safety, this appliance is fitted with a thermal cut-out. In the event that the product overheats, the cut-out switches the heater off automatically.

To bring the heater back into operation, remove the cause of the overheating, then unplug or turn off the electrical supply to the heater for a few minutes.

When the heater has cooled sufficiently, re-connect and switch on the heater.

## Cleaning and User Maintenance

**WARNING – ALWAYS DISCONNECT FROM THE POWER SUPPLY BEFORE CLEANING THE HEATER.**

Do not use detergents, abrasive cleaning powder or polish of any kind on the body of the heater.

Allow the heater to cool, then wipe with a dry cloth to remove dust and a damp cloth (not wet) to clean off stains. Be careful not to allow moisture into the heater.

## After Sales Service

Your product is guaranteed for three years from the date of purchase.

Within this period, we undertake to repair or exchange this product free of charge provided it has been installed and operated in accordance with these instructions.

Your rights under this guarantee are additional to your statutory rights, which in turn are not affected by this guarantee.

Should you require after sales service you should contact our customer services help desk on 0870 727 0101. It would assist us if you can quote the model number, series, date of purchase, and nature of the fault at the time of your call. The customer services help desk will also be able to advise you should you need to purchase any spares.

Please do not return a faulty product to us in the first instance as this may result in loss or damage and delay in providing you with a satisfactory service.

Please retain your receipt as proof of purchase.

**CE** The product complies with the European Safety Standards EN60335-2-30 and the European Standard Electromagnetic Compatibility (EMC) EN55014, EN60555-2 and EN60555-3 which cover the essential requirements of EEC Directives 73/23 and 89/336

Glen Dimplex UK Limited  
Millbrook House  
Grange Drive  
Hedge End  
Southampton  
Hampshire. SO30 2DF

UK customer help line (8.00AM – 6.00PM Mon-Fri; 8.30AM-1.00PM Sat)

Customer Services:	Tel.	0870 7270101
	Fax.	0870 7270102
	e-mail	customer.services@glendimplex.com
Republic of Ireland	Tel.	01 8424833

[c] Glen Dimplex UK Limited

All rights reserved. Material contained in this publication may not be reproduced in whole or in part, without prior permission in writing of Glen Dimplex UK Limited.