

Dimplex[®]

A world of expertise

CI/SFB (56)



The Designer Towel Rail Range



Tried. Tested. Trusted.

Contemporary styles specifically designed
for modern bathrooms and en-suites

Electric towel rails – simply Dimplex



There are many good reasons for choosing to install an electric towel rail in your bathroom, many of which you may not have previously considered. Whether it's a replacement, refurbishment or new build, electric towel rails and controls offer an attractive and cost effective means of providing space heating and towel drying in any bathroom.

Installation

Installing an electric towel rail is much quicker and simpler than extending the pipework of a wet central heating system to incorporate a water-filled towel rail. This cuts costs when building extensions, conversions or en-suites – especially where there is no existing connection to the central heating system.



Running Costs

Because it is not heated by the wet central heating system, you can use an electric towel rail independently of any other heating in the home. This means that you can dry or warm towels year-round without having to energise the full heating system. It also means that for second bathrooms or en-suites the towel rail does not need to be on when the central heating system is running, providing further scope for savings.

Control

The level of control that can be achieved with an electric system is far greater than that which is offered by other fuels. By using one of the FSC range of Dimplex controls you can modulate the surface temperature and running time of your electric towel rail with a fine degree of accuracy, ensuring usage perfectly matches your lifestyle for the lowest possible running cost.



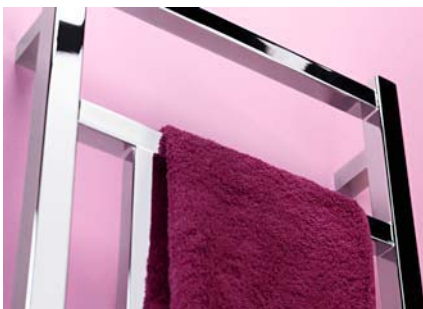
Electric towel rails offer so many benefits

Electric towel rails – simply Dimplex



Aesthetics

With no pipework required, Dimplex electric towel rails offer neat installation without the need to take up or drill through flooring. The rails simply need a single fused spur, which can be placed outside of the bathroom if required, offering a clean and stylish finish.



Maintenance

Dimplex electric towel rails are sealed for life, with no maintenance required. This means that there is no need to bleed air from the system for optimal performance as is the case with many units that run from the central heating system. There is no deterioration of performance over time, and all ranges come with a two year guarantee to give you total peace of mind.

Reassurance

Dimplex has been manufacturing towel rails, as well as a huge range of other electrical heating products, for over 60 years. Always at the cutting edge of innovation, quality and state-of-the-art technology, we are a true UK brand leader, giving you the reassurance of working with products and people you can trust.

Safety

Dimplex towel rails carry the BEAB Approved Mark which means that they meet the highest safety standard achievable in the UK, which exceeds the minimum legal requirements of UK and EU legislation, and attests to the safety of our products in use. Furthermore, since even momentary bodily contact with a hot surface in a bathroom can be unpleasant we have taken steps to reduce the surface temperature of our towel rails well below the BEAB approved maximum limit, without compromising towel drying effectiveness.



THE DESIGNER RANGE

The new Designer range – less is more



Dimplex is pleased to introduce its new Designer range. With three brand-new and innovative towel rail designs, the Designer range has been developed with the specific aim of creating attractive, space-saving products for the bathroom.

Many modern bathrooms and en-suites are limited in size, and making the best possible use of the space available is an important part of their effective design. One way to maximise the functionality of a bathroom is to install products that are specifically designed for use in smaller spaces.

The Dimplex Designer range has been developed for just this purpose and with three designs to choose from, the perfect addition to any bathroom is now at hand.

The entire Designer range is made of the highest quality materials, with a brilliant chrome plate finish. The range is rated to IPX5 standard for use in wet areas, and all models are compatible with the full range of Dimplex towel rail controls, further enhancing their functionality and lowering their running cost.

Even without an external control, leaving one of these Designer range rails on all day long would only cost around 35p at today's rates:

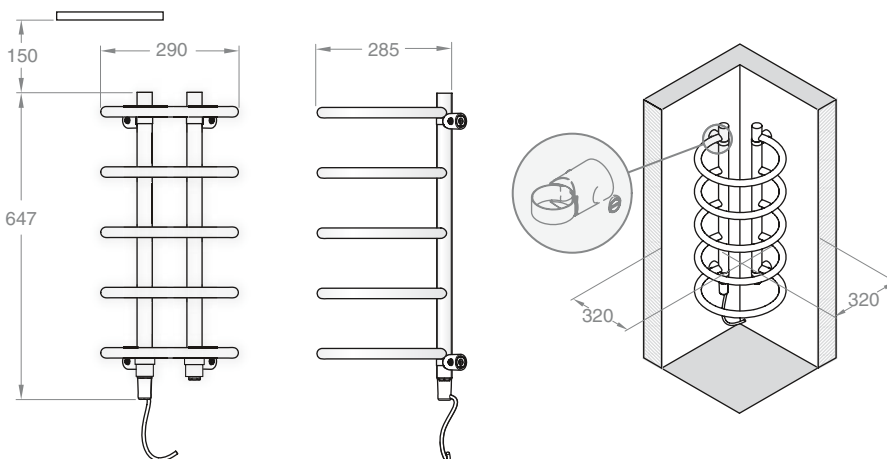
*Based on an average UK unit cost of 13.5p/kWh. (Sutherland tables).



Corner rail





This stylish towel rail is the ultimate bathroom space-saving solution. Designed for corner mounting, it offers a tidy and fast means of drying and storing towels in a space that is not usually utilised in the bathroom.



Model	Output	Height	Width	Depth	Weight	No. of rails
CPTC	100W	647mm	320mm	320mm	5.4kg	5

For controls see pages 11 – 12

 Space-saving	 Chrome finish	 Low wattage	 BEAB approved product	 Quick drying	 IP rating
---	---	---	---	--	---

Features

- Space-saving, fits into the corner of a bathroom or flat to wall where space is at a premium
- Low wattage for low running costs
- Easy to use, designed for drying multiple towels quickly
- High quality chrome finish
- Compatible with the Dimplex range of towel rail controls

Electrical connection

- 1.0m pre-fitted cable
- Cable entry at bottom left of rail
- 3 core cable – live, neutral, earth

Installation

Four brackets for wall mounting.

Construction

- Sealed steel shell
- Circular tubed upright bars
- Vertically mounted element

IP rating

IPX5.

Colour/Finish

Chrome plated.

Controllers

Compatible with the Dimplex FSCC and FSCW runback controls and the Dimplex RF central control units.

Model CPTC



scan for more info
dimplex.co.uk/cptc



THE DESIGNER RANGE

Flat rail

Features

- Space-saving, only 400mm wide
- Low wattage for low running costs
- Easy to use, designed for drying multiple towels quickly
- High quality chrome finish
- Compatible with the Dimplex range of towel rail controls

Electrical connection

- 1.0m pre-fitted cable
- Cable entry at bottom left of rail
- 3 core cable – live, neutral, earth

Installation

Four brackets for wall mounting.

Construction

- Sealed steel shell
- Square tubed upright bars
- Vertically mounted element

IP rating

IPX5.

Colour/Finish

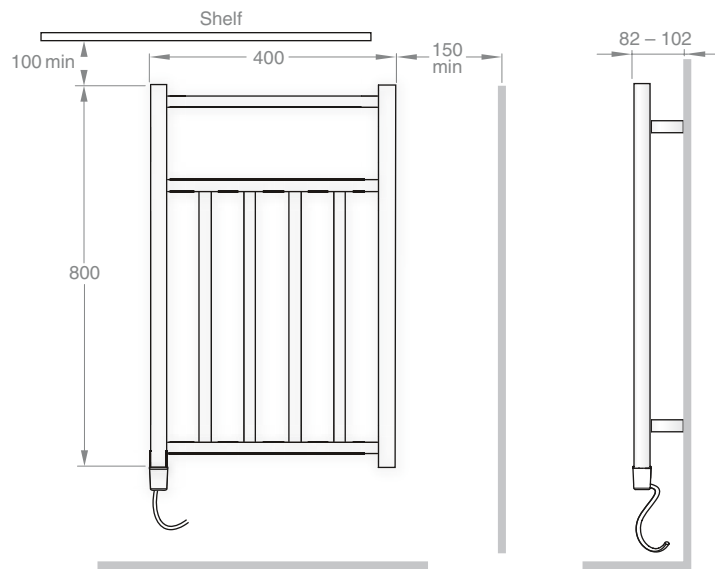
Chrome plated.

Controllers

Compatible with the Dimplex FSCC and FSCW runback controls and the Dimplex RF central control units.



The sleek and modern design of this rail provides an easy-to-use structure for drying towels, and its combination of a low profile and slim frame allow it to be mounted in a wide range of bathrooms and en-suites.



Model	Output	Height	Width	Depth	Weight
CPTF	100W	800mm	400mm	82 – 102mm	6.3kg

For controls see pages 11 – 12



scan for more info
dimplex.co.uk/cptf



Space-saving



Chrome finish



Low wattage



BEAB approved product



Quick drying



IP rating

Stepped rail



Features

- Fluid filled for fast warm up and even heat distribution
- Easy and quick to install
- Low wattage for low running costs
- Easy to use, designed for drying multiple towels quickly
- High quality chrome finish
- Compatible with the Dimplex range of towel rail controls

Electrical connection

- 1.0m pre-fitted cable
- Cable entry at bottom left of rail
- 3 core cable – live, neutral, earth

Installation

Four brackets for wall mounting.

Construction

- Sealed steel shell
- Circular tubed upright bars
- Vertically mounted element

IP rating

IPX5.

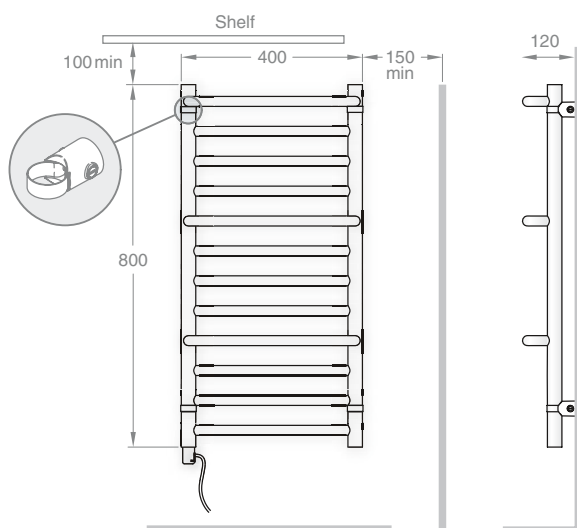
Colour/Finish

Chrome plated.

Controllers

Compatible with the Dimplex FSCC and FSCW runback controls and the Dimplex RF central control units.

The 'Stepped' rail is space-saving and functional. This ergonomic rail offers maximum drying capability by providing a series of stepped rails on which to hang single or multiple towels. It is also incredibly slim, enabling it to be placed where horizontal wall space is limited.



Model	Output	Height	Width	Depth	Weight	No. of rails
CPTS	120W	800mm	400mm	120mm	7.4kg	12

For controls see pages 11 – 12



Space-saving



Chrome finish



Low wattage



BEAB approved product



Quick drying



IP rating

Model CPTS



scan for more info
dimplex.co.uk/cpts



THE CORE RANGE

The TDTR range

Features

- Compatible with the Dimplex radio frequency controllers
- Even heat distribution
- Rapid towel drying
- Compact, slimline design
- Choice of chrome or white finish

Electrical connections

1.0m pre-fitted cable.
Cable entry at bottom left rail.

Installation

TDTR175W/TDTR175C –
Supplied with 3 wall
mounting brackets.
TDTR350W/TDTR350C –
Supplied with 4 wall
mounting brackets.

Construction

Sealed steel shell. D shaped
upright bars.

IP rating

IPX5.

Colour/Finish

White powder coated
or chrome plated.

Controllers

Compatible with the Dimplex FSCC
and FSCW runback controls and the
Dimplex RF central control units.



Model TDTR350C

The TDTR is a sleek and elegant towel warmer incorporating gently curving rails. It is set to become the latest 'must have' design for any contemporary bathroom. The TDTR is available in both sparkling chrome and cool white, and in two sizes. Moreover, it is compatible with the Dimplex FSCC and FSCW runback controls and RF radio frequency central control units.



Model TDTR175W

Model	Finish	Output	Height	Width	Depth	Weight	No. of rails
TDTR175W	White	175W	610mm	453mm	80 – 100mm	6kg	12
TDTR350W	White	350W	843mm	602mm	95 – 115mm	11kg	18
TDTR175C	Chrome	120W	610mm	453mm	80 – 100mm	6kg	12
TDTR350C	Chrome	250W	843mm	602mm	95 – 115mm	11kg	18

For controls see pages 11 – 12



scan for more info
dimplex.co.uk/tdtr



Chrome or white finish



Quick drying



IP rating



BEAB approved product

THE CORE RANGE

The BR range



Model BR350C

The BR range offers a stylish multi-purpose bathroom radiator. Higher output models provide an ideal combination of room heating with efficient drying. The BR range is compatible with the Dimplex radio frequency controllers and FSCC/FSCW controls. It is a vertical, ladder design towel rail available in a white or chrome finish, and is IPX5 rated.



Quick drying



Chrome or white finish



IP rating



BEAB approved product

Model	Finish	Output (Electric)*	Approx output (Water)*	Height	Width	Depth	Weight	No. of rails
BR150W	White	150W	320W	665mm	430mm	155mm	6.5kg	10
BR150C	Chrome	150W	320W	665mm	430mm	155mm	6.5kg	10
BR350C	Chrome	350W	750W	1003mm	630mm	155mm	13kg	16
BR400W	White	400W	840W	1003mm	630mm	155mm	15kg	16

*For BTU output multiply by 3.412.

scan for more info
dimplex.co.uk/br



For full features and technical specification please visit dimplex.co.uk/br

The Apollo



Model APL100

The Apollo is a radiant panel bathroom heater which combines the benefits of high comfort radiant panel heating with fixed rails for drying and airing towels. The Apollo is fitted with an electronic thermostat, is IPX4 rated and is compatible with Dimplex single or 4 zone multi-heater programmers. It has a compact, stylish casing with a distinctive curved grille.



Quick drying



BEAB approved product

Model	Loading	Height	Width	Weight
APL100	1.0kW	830mm	440mm	7.2kg

scan for more info
dimplex.co.uk/apl



For full features and technical specification please visit dimplex.co.uk/apl

THE CORE RANGE

The TR range

Our range of TR towel rails are permanently liquid filled for maintenance free operation. They can be mounted for left or right hand cable entry. Moreover they come in a range of sizes and finishes and larger models can be used to heat rooms as well as dry towels. The TR range is IPX4 rated.



Space-saving



Low wattage



Quick drying



Chrome or white finish



BEAB approved product



Model TRS120W



scan for more info
dimplex.co.uk/trs

For full features and technical specification please visit dimplex.co.uk/trs

Model	Loading	Height	Width	Depth	Finish
TRC90	60W	616mm	533mm	93mm	Chrome
TRS120	120W	616mm	533mm	93mm	White
TRC130	90W	851mm	533mm	93mm	Chrome
TRC150	120W	851mm	787mm	93mm	Chrome
TRS175	175W	851mm	533mm	93mm	White

The S range

Our S range of towel rails is ideal for drying and airing small towels in areas such as kitchens and en-suites. They are an oil filled tubular towel rail available in white stove enamel or chrome plated with exceptionally low energy consumption and are IPX4 rated.



Space-saving



Low wattage



Chrome or white finish



BEAB approved product



Model S50C

Model	Loading	Height	Width	Depth	Finish
S50C	45W	555mm	568mm	93mm	Chrome
S50W	45W	555mm	568mm	93mm	White



scan for more info
dimplex.co.uk/trs

For full features and technical specification please visit dimplex.co.uk/trs

Point of use control



Model FSCC

Adding a controller to your towel rail will enable much greater benefit to be derived from its electric energy source. Using the rail independently of your main heating system enables cheaper and more accurate operation, all year round.

The FSC control offers a wide range of functionality and is the perfect complement to a new, or existing, electric towel rail.

The control allows the rail to be switched on and off, and for the surface temperature of the towel rail to be adjusted. There are five settings that progressively reduce the temperature of the rail, and also the energy that it uses.

In addition there is an 'Eco' mode, which allows you to dry a towel without having to leave the rail on indefinitely. Simply press the 'Eco' button and the rail will maintain

a high temperature for 30 minutes, before dropping to a lower temperature for 90 minutes, after which the towel will be dry and the unit will switch the rail off. This allows you to economically dry your towels without having to remember to turn the rail off afterwards.

The control comes in either a chrome or white finish and works with the Dimplex ranges of CPT, TDTR, BR, TR and S rails.



Features

Runback

'Eco' will run the towel rail for 30 minutes at a high setting, then 90 minutes at a low setting, then switch the rail off.

Temperature regulation

The surface temperature of the rail can be reduced, allowing 100%, 85%, 70%, 55% and 40% of maximum (circa 60 degrees celsius).

Colours

Chrome – Model FSCC.

White – Model FSCW.

Model FSCW



scan for more info
dimplex.co.uk/fsc

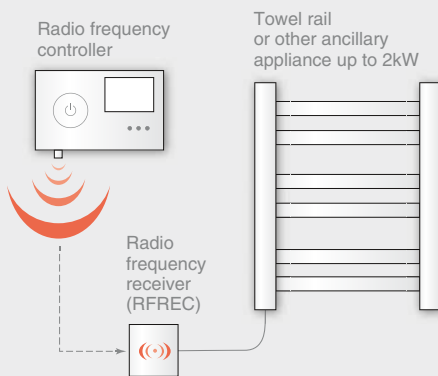


TOWEL RAIL CONTROLS

Central control

Central control

Dimplex RF controllers and receivers provide energy saving control to deliver the greatest possible levels of energy efficiency, versatility and ease of use. By utilising radio waves to transmit their signal, radio frequency controls remove the need to wire controls to their receivers – meaning quick, easy and trouble-free installation. As such, this system is ideal for use in both new build and existing installations, and is perfect for controlling towel rails.



RFBT

- Radio frequency wall-mounted rotary controller
- Comes complete with RF receiver which must be wired to the relevant appliance
- Offers RF thermostatic control
- 30 minute boost button
- Wall-mounted controller unit fits into single gang wiring accessory back box
- IPX4 rated (splash-proof) for use in wet areas
- Can control any heater up to a loading of 2kW
- Ideal for providing extra control to towel rails
- Multiple receivers can be controlled by a single controller
- Additional receivers sold separately (RFREC)



RF24T

- Radio frequency wall-mounted LCD programmer
- Comes complete with RF receiver which must be wired to the relevant appliance
- Offers 24hour programming
- 4 programmable time periods, switching heater between On/Off modes
- Programme advance and manual override features
- 30 minute boost button
- Thermostatically controlled
- Back lit LCD screen with power save mode
- IPX4 rated (splash-proof) for use in wet areas
- Can control any heater up to a loading of 2kW
- Ideal for providing extra control to towel rails

- Programmes saved in memory for 12 hours in the event of a power failure
- Multiple receivers can be controlled by a single controller
- Additional receivers sold separately (RFREC)



RF07T

- Radio frequency wall-mounted LCD programmer
- Comes complete with RF receiver which must be wired to the relevant appliance
- Offers 7 day programming
- 4 programmable time periods for weekdays and weekends, switching heater between On/Off modes
- 30 minute boost button
- Thermostatically controlled
- Back lit LCD screen with power save mode
- IPX4 rated (splash-proof) for use in wet areas
- Can control any heater up to a loading of 2kW
- Ideal for providing extra control to towel rails
- Programmes saved in memory for 12 hours in the event of a power failure
- Multiple receivers can be controlled by a single controller
- Additional receivers sold separately (RFREC)



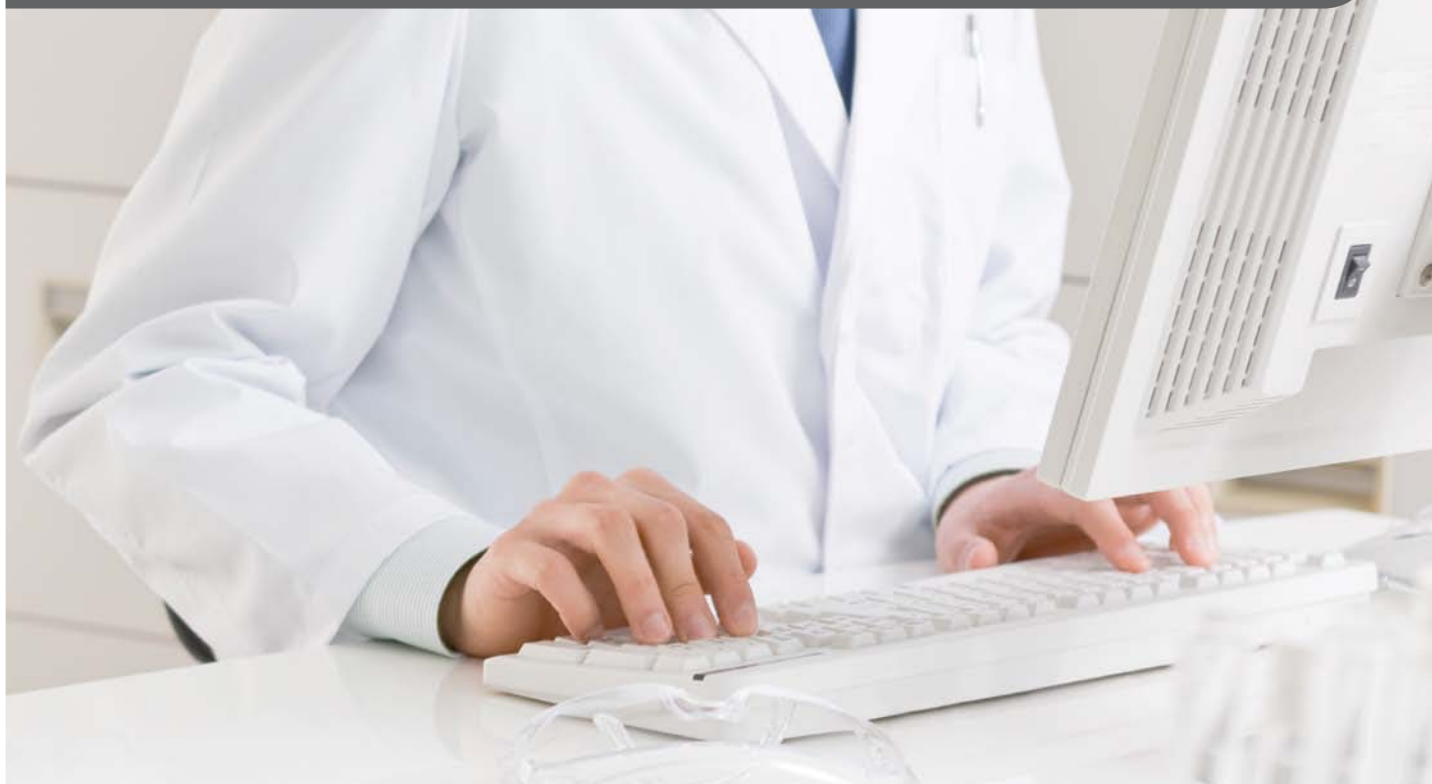
RFREC

- Additional receiver for use with RF controller/programmer (RFBT, RF24T, RF07T)
- Allows an additional heater up to 2kW loading to be controlled simultaneously by RF controller/programmer



scan for more info
dimplex.co.uk/rf

Approvals and standards



There is a range of approvals and standards that can be met by electrical heating products. These range from legally required minimum standards through to high-end approvals that demonstrate that products are tested against the highest safety standards.



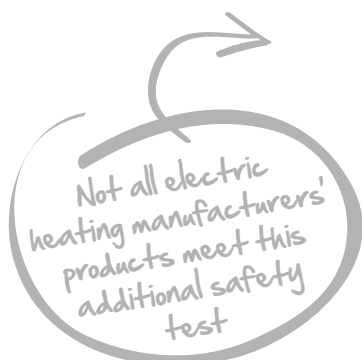
Many products in the EU are covered by a directive which states that the manufacturer must declare their product meets the minimum safety, health and environmental legislation required of it by European law. This is denoted by the CE mark on the product.



The BEAB Approved Mark for Intertek is a European Safety Mark used by leading electrical manufacturers to support CE marking and to demonstrate conformity with the Low Voltage Directive (LVD). Importantly however a BEAB Approved Mark on a product demonstrates that Intertek (an independent third party) has verified its safety.

Recognised across the UK and Europe, the BEAB Approved Mark demonstrates the safety pedigree of a product. It shows commitment to best practice, commitment to producing quality goods and most importantly commitment to customer safety. This is the highest safety standard achievable in the UK market. The mark indicates that the product has been manufactured in an inspected factory, using accepted methods, that the products have been tested and assessed by Intertek, and that the products bearing the BEAB approved mark are also randomly checked by Intertek on an annual basis.

The use of this mark on our products, packaging and literature indicates Dimplex products meet this standard.



About Dimplex



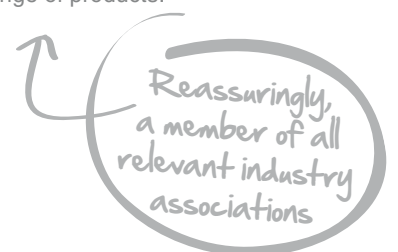
Wherever you go across the country, you'll find Dimplex heating and hot water solutions. From flats and houses, to offices, shops and hotels – in its field, Dimplex leads the world. With a heritage of more than 60 years and a product offering of more than 400 products, our growth can be attributed to a public who want affordable heating solutions that are efficient, reliable and durable, as well as attractively designed. This combined with an unmatched reputation for quality, reliability, unrivalled experience and innovation is why we remain the brand leader in the electric space and water heating world.

A critical aspect of our success is built upon a policy of continuous investment in every area of the business – from product development right through to customer service.

No one else in the industry invests more in developing products that constantly set new standards, with a central design facility and research teams at factories in the UK and Europe. Our investment in people, training and resources is reflected in the quality of our products and the standard of our pre and post sales service. As part of our commitment to product quality, we also apply

stringent controls to every part of our manufacturing process and are ISO 9002 approved.

As members of key industry associations including ECA, EDA, BEAMA and HEVAC and with many BEAB approved products, Dimplex is unrivalled in quality and safety expertise across its wide range of products.



*With Dimplex,
trust is built-in*



Dimplex – tried and trusted by installers, specifiers and end users alike:

- The world’s largest electric heating appliance manufacturer
- A proud reputation for continued investment in quality and innovation
- Backed by an award winning customer services team
- Member of ECA, EDA, BEAMA and HEVAC
- Free heating design service
- 60 years of continued innovation
- Over 45 million heaters sold via the trade in the UK alone

Today, as the market leader in energy efficient heating solutions, we continue to use our considerable experience and expertise as a springboard for new ideas, modern design, and ongoing innovation and reliability.

Dimplex website

As well as the very latest product details, our website is packed full of information to help find the right product solution.

Key features include:

- **Help me choose selector**
If you don’t know which heater to choose, answer a few simple questions and get a list of our most suitable products
- **On-line calculator**
Ideal if you need to know how much heat you need for a room or even a property
- **“How to” videos and operating instructions**
Designed to help you get the best from your Dimplex heaters
- **Stockist information**
Just type in your postcode and find your nearest contractors, retailers or distributors and with a handy reference map to help you locate them quickly and easily

Please visit www.dimplex.co.uk/support



After Sales Service

After sales service if required is absolutely no problem with Dimplex – we have a network of appointed Service Engineers spread throughout the country who are qualified and trained to repair or service any of our appliances. Please visit www.dimplex.co.uk/support for further details.

Specifications

Dimplex policy is one of continuous improvement; the Company therefore reserves the right to alter specifications without notice. Although every care has been taken in the reproduction of product finishes in this brochure, the colour photographs should be taken only as a guide. The information contained in this brochure is correct at the time of printing. You are advised to consult your dealer before purchasing.

CE Mark

Products carrying the CE mark comply with European safety standards and the European Standard for electro-magnetic compatibility.

Installation Guidance

This brochure is designed to assist you with your choice of Dimplex products and it is not intended as an installation guide. For safety, products should only be installed by a competent person, in accordance with current regulations and the manufacturer's instructions. If you require further advice concerning the installation of our products – especially where the installed dimensions may be critical to your choice and the location of the product – please consult your installer.

Please note that the dimensions contained within this brochure do not in all cases include clearances required around installed products for safe operation.

The Dimplex Range

Dimplex offers the widest range of electric space, water heating and renewable solutions in the UK. In addition to this publication, we have a number of more focused brochures to choose from.



Domestic heating brochure



Designer range brochure



Commercial brochure



Quantum brochure



Solar PV brochure



Heat pump brochure



Electric fires brochure



Solar Thermal brochure



EC-Eau Cylinder brochure



SmartRad brochure



Solid fuel stoves collection brochure



For more information on these products and copies of the brochures please visit www.dimplex.co.uk or call 0844 879 3587

A division of the GDC Group, Millbrook House, Grange Drive, Hedge End, Southampton SO30 2DF Tel: 0844 879 3587
 For Northern Ireland, contact Glen Dimplex N.I. Limited, 5 Charlestown Avenue, Charlestown Ind. Est., Craigavon, Co. Armagh BT63 5ZF Tel: 02838 337317
 For Republic of Ireland, contact Dimpco on +353 (0)1 8424 277, email sales@dimpco.ie or visit www.dimpco.ie

Dimplex[®]
 A world of expertise



Laminated using bio-degradable film.