

DRAPER[®]

INSTRUCTIONS FOR 1500W 230V 125mm Wall Chaser

Stock No.30818 Part No.WC1500

IMPORTANT: PLEASE READ THESE INSTRUCTIONS CAREFULLY TO ENSURE THE SAFE AND EFFECTIVE USE OF THIS PRODUCT.



DRAPER[®]

GENERAL INFORMATION

These instructions accompanying the product are the original instructions. This document is part of the product, keep it for the life of the product passing it on to any subsequent holder of the product. Read all these instructions before assembling, operating or maintaining this product.

This manual has been compiled by Draper Tools describing the purpose for which the product has been designed, and contains all the necessary information to ensure its correct and safe use. By following all the general safety instructions contained in this manual, it will ensure both product and operator safety, together with longer life of the product itself. All photographs and drawings in this manual are supplied by Draper Tools to help illustrate the operation of the product. Whilst every effort has been made to ensure the accuracy of information contained in this manual, the Draper Tools policy of continuous improvement determines the right to make modifications without prior warning.



CONTENTS

1. Contents/Guarantee	1
2. Specification	2
3. Power supply	3
4. Safety instructions	4
5. Additional safety instructions	5 - 6
6. Identification guide	7
7. Assembly	8
8. Operation & Use	8
8.1 Cutting depth adjustment	9
8.2 Cutting width adjustment	9
8.3 Fitting auxiliary handle	9
8.4 Use	10
8.5 General cutting	10
8.6 Completing the cut	10
9. Optional accessories	11
10. Maintenance & part replacement	11
11. Disposal of power tools	11
12. Troubleshooting	12
13. Explanation of symbols/pictograms	12
Declaration of conformity.....	Enclosed



1. GUARANTEE

Draper tools have been carefully tested and inspected before shipment and are guaranteed to be free from defective materials and workmanship.

Should the tool develop a fault, please return the complete tool to your nearest distributor or contact Draper Tools Limited, Chandler's Ford, Eastleigh, Hampshire, SO53 1YF, England.
Telephone Sales Desk: (023) 8049 4333 or Product Helpline (023) 8049 4344.

A proof of purchase must be provided with the tool.

If upon inspection it is found that the fault occurring is due to defective materials or workmanship, repairs will be carried out free of charge. This guarantee period covering parts/labour is 12 months from the date of purchase except where tools are hired out when the guarantee period is ninety days from the date of purchase. The guarantee is extended to 24 months for parts only. This guarantee does not apply to normal wear and tear, nor does it cover any damage caused by misuse, careless or unsafe handling, alterations, accidents, or repairs attempted or made by any personnel other than the authorised Draper warranty repair agent.

Note: If the tool is found not to be within the terms of warranty, repairs and carriage charges will be quoted and made accordingly.

This guarantee applies in lieu of any other guarantee expressed or implied and variations of its terms are not authorised.

Your Draper guarantee is not effective unless you can produce upon request a dated receipt or invoice to verify your proof of purchase within the guarantee period.

Please note that this guarantee is an additional benefit and does not affect your statutory rights.

Draper Tools Limited.



2. SPECIFICATION

The Draper Tools policy of continuous improvement determines the right to change specification without notice.

Stock no.	30818
Part no.	WC1500
Rated voltage	230V~50Hz
Rated input	1500W
Maximum blade diameter	125mm
Bore Ø	22.2mm
Revolutions per minute (no load)	8500min ⁻¹
Sound pressure level	96dB(A)
Sound power level	107dB(A)
Vibration level	6.16m/s ²
Weight.....	13kg

ALWAYS WEAR AN APPROVED DUST MASK, EYE AND EAR PROTECTION.



3. POWER SUPPLY

CAUTION: Risk of electric shock. Do not open.

This appliance is supplied with a moulded 3 pin mains plug for your safety. The value of the fuse fitted is marked on the pin face of the plug. Should the fuse need replacing, ensure the substitute is of the correct rating, approved to BS1362 and ASTA or BS Kite marked.

ASTA 
BSI 

The fuse cover is removable with a small plain slot screwdriver. Ensure the fuse cover is replaced before attempting to connect the plug to an electrical outlet. If the cover is missing, a replacement must be obtained or the plug replaced with a suitable type.


If a replacement plug is to be fitted this must be carried out by a qualified electrician.

The damaged or incomplete plug, when cut from the cable shall be disabled to prevent connection to a live electrical outlet.

This appliance is Class II[†] and is designed for connection to a power supply matching that detailed on the rating label and compatible with the plug fitted.

If an extension lead is required, use an approved and compatible lead rated for this appliance.

Follow all the instruction supplied with the extension lead.

[†]Double insulated  : This product requires no earth connection as supplementary insulation is applied to the basic insulation to protect against electric shock in the event of failure of the basic insulation.

General Power Tool Safety Warnings

⚠ WARNING: Read all safety warnings and all instructions. Failure to follow the warnings and instructions may result in electric shock, fire and/or serious injury.

Save all warnings and instructions for future reference.

The term "power tool" in the warnings refers to your mains operated (corded) power tool or battery-operated (cordless) power tool.

1) Work area safety

- Keep work area clean and well lit.** Cluttered or dark areas invite accidents.
- Do not operate power tools in explosive atmospheres, such as in the presence of flammable liquids, gases or dust.** Power tools create sparks which may ignite the dust or fumes.
- Keep children and bystanders away while operating a power tool.** Distractions can cause you to lose control.

2) Electrical safety

- Power tool plugs must match the outlet. Never modify the plug in any way. Do not use any adapter plugs with earthed (grounded) power tools.** Unmodified plugs and matching outlets will reduce risk of electric shock.
- Avoid body contact with earthed or grounded surfaces such as pipes, radiators, ranges and refrigerators.** There is an increased risk of electric shock if your body is earthed or grounded.
- Do not expose power tools to rain or wet conditions.** Water entering a power tool will increase the risk of electric shock.
- Do not abuse the cord. Never use the cord for carrying, pulling or unplugging the power tool. Keep cord away from heat, oil, sharp edges or moving parts.** Damaged or entangled cords increase the risk of electric shock.
- When operating a power tool outdoors, use an extension cord suitable for outdoor use.** Use of a cord suitable for outdoor use reduces the risk of electric shock.
- If operating a power tool in a damp location is unavoidable, use a residual current device (RCD) protected supply.** Use of an RCD reduces the risk of electric shock.

3) Personal safety

- Stay alert, watch what you are doing and use common sense when operating a power tool. Do not use a power tool while you are tired or under the influence of drugs, alcohol or medication.** A moment of inattention while operating power tools may result in serious personal injury.
- Use personal protective equipment. Always wear eye protection.** Protective equipment such as dust mask, non-skid safety shoes, hard hat, or hearing protection used for appropriate conditions will reduce personal injuries.
- Prevent unintentional starting. Ensure the switch is in the off position before connecting to power source and/or battery pack, picking up or carrying the tool.** Carrying power tools

with your finger on the switch or energising power tools that have the switch on invites accidents.

- Remove any adjusting key or wrench before turning the power tool on.** A wrench or a key left attached to a rotating part of the power tool may result in personal injury.
- Do not overreach. Keep proper footing and balance at all times.** This enables better control of the power tool in unexpected situations.
- Dress properly. Do not wear loose clothing or jewellery. Keep your hair, clothing and gloves away from moving parts.** Loose clothes, jewellery or long hair can be caught in moving parts.
- If devices are provided for the connection of dust extraction and collection facilities, ensure these are connected and properly used.** Use of these devices can reduce dust-related hazards.

4) Power tool use and care

- Do not force the power tool. Use the correct power tool for your application.** The correct power tool will do the job better and safer at the rate for which it was designed.
- Do not use the power tool if the switch does not turn it on and off.** Any power tool that cannot be controlled with the switch is dangerous and must be repaired.
- Disconnect the plug from the power source and/or battery pack from the power tool before making any adjustments, changing accessories, or storing power tools.** Such preventive safety measures reduce the risk of starting the power tool accidentally.
- Store idle power tools out of the reach of children and do not allow persons unfamiliar with the power tool or these instructions to operate the power tool.** Power tools are dangerous in the hands of untrained users.
- Maintain power tools. Check for misalignment or binding of moving parts, breakage of parts and any other condition that may affect the power tool's operation. If damaged, have the power tool repaired before use.** Many accidents are caused by poorly maintained power tools.
- Keep cutting tools sharp and clean.** Properly maintained cutting tools with sharp cutting edges are less likely to bind and are easier to control.
- Use the power tool, accessories and tool bits etc. in accordance with these instructions, taking into account the working conditions and the work to be performed.** Use of the power tool for operations different from those intended could result in a hazardous situation.

5) Service

- Have your power tool serviced by a qualified repair person using only identical replacement parts.** This will ensure that the safety of the power tool is maintained.

ANGLE GRINDER SAFETY WARNINGS

- Check that speed marked on the wheel is equal to or greater than the rated speed of the grinder;
- Ensure that the wheel dimensions are compatible with the grinder;
- Abrasive wheels shall be stored and handled with care in accordance with manufacturer's instructions;
- Inspect the grinding wheel before use, do not use chipped, cracked or otherwise defective products;
- Ensure that mounted wheels and points are fitted in accordance with the manufacturer's instructions;
- Ensure that blotters are used when they are provided with the bonded abrasive product and when they are required;
- Ensure that the abrasive product is correctly mounted and tightened before use and run the tool at no-load for 30 s in a safe position, stop immediately if there is considerable vibration or if other defects are detected.
If this condition occurs, check the machine to determine the cause;
- If a guard is supplied with the tool never use the tool without such a guard.
- Do not use separate reducing bushings or adapters to adapt large hole abrasive wheels;
- For tools intended to be fitted with threaded hole wheel, ensure that the thread in the wheel is long enough to accept the spindle length;
- Check that the work piece is properly supported;
- Do not use cutting wheel for side grinding;
- Ensure that sparks resulting from use do not create a hazard e.g. do not hit persons, to ignite flammable substances;
- Ensure that ventilation openings are kept clear when working in dusty conditions. If it should become necessary to clear dust, first disconnect the tool from the mains supply (use non metallic objects) and avoid damaging internal parts;
- Always use eye and ear protection;
- Personal protective equipment such as dust mask, gloves, helmet and apron should be worn;
- The wheel continues to rotate after the tool is switched off.
- **Warning:** Prior to mounting an abrasive wheel ensure the expiry date has not exceeded rendering it potentially hazardous.

products shall be stored in such a manner that they are not subjected to mechanical damaged and harmful environmental influences.

- c. **Selection of the abrasive product.** Information on the label or the abrasive product as well as restrictions of use, safety indications or any other instructions shall be followed. In case of doubt concerning the selection of abrasive products, the user shall request information from the manufacturer or supplier.
- d. **Visual inspection and ring test.** Abrasive products shall be subjected to a visual inspection as received before mounting. In addition, a ring test shall be executed for vitrified wheels with D>80mm. Damaged abrasive products shall be destroyed.
- e. **Mounting before starting and information for grinding.** The mounting of abrasive products shall be carried out according to the instructions provided by both the wheel and the machine manufacturer. Mounting of abrasive products shall be carried out by a qualified trained person. Each time after mounting, the wheel shall be test run for a reasonable time - the specified maximum operating speed of the wheel shall not be exceeded.
- f. **Further information.** The following instructions shall be observed, supplementary to the information contained in the instruction for use of the grinding machine:
 - Observance of the user's information from the grinding machine manufacturer.
 - Safety devices shall be mounting to the machine and shall be secured.
 - No grinding operations without protection by safety devices.
 - Use of personal protective equipment according to the type of machine and type of application, e.g. eye and face protection, ear protection, respiratory protective devices, protective footwear, protective gloves and other protective clothing.
 - Only grinding operations for which the abrasive product is suitable shall be carried out (taking into account restrictions of use, safety indications or other information).
 - Jamming of the hand-held grinding machine shall be prevented. In the case of cutting-off with hand-held grinding machines, the abrasive product shall be placed in the cutting gap in a straight position.
 - Before placing the hand-held grinding machine on the workbench or on the floor it shall be turned off and it shall be ensured that the abrasive product has stopped.

SAFETY RECOMMENDATIONS FOR THE CORRECT USE OF ABRASIVE PRODUCTS

- a. **General.** Bonded abrasive products are breakable and shall therefore be handled with utmost care. The use of damaged or improperly mounted or used abrasive products is dangerous and can cause serious injuries.
- b. **Delivery, handling and storage.** Abrasive products shall be handled and transported with care. Abrasive

SAFETY RECOMMENDATIONS FOR THE CORRECT USE OF SUPERABRASIVES

- a. **General.** Superabrasives are breakable and shall therefore be handled with utmost care! The use of damaged or improperly mounted or used superabrasives is dangerous and can cause serious injuries.

- b. **Delivery, handling and storage.** Superabrasives shall be handled and transported with care. Superabrasives shall be stored in such a manner that they are not subjected to mechanical damages and harmful environmental influences.
- c. **Selection of superabrasives.** Information on the label or the superabrasive as well as restrictions of use, safety indications or any other instruction shall be followed. In case of doubt concerning the selection of superabrasives, the user shall request information from the manufacturer or supplier.
- d. **Visual inspection and ring test.** Superabrasives shall be subjected to a visual inspection as received before mounting. In addition, a ring test shall be executed for superabrasives with vitrified core and abrasive section and $D > 80\text{mm}$. Damaged superabrasives shall not be used.
- e. **Mounting, before starting and information for grinding.** The mounting of superabrasive shall be carried out according to the instructions provided by both, the superabrasive and the machine manufacturer. Special attention shall be drawn to the fact that mounting of superabrasives is to be carried out by a qualified trained person. Each time after mounting, the superabrasive shall be test run for a reasonable time - the specified maximum operating speed of the superabrasive shall not be exceeded.
- f. **Further information.** The following instructions shall be observed, supplementary to the information of the grinding machine:
 - Observance of the user's information of grinding machine manufacturer.
 - Before starting, safety devices shall be mounted to the machine.
 - No grinding operations without protection by safety devices.
 - Use of personal protective equipment according to the type of machine and type of application, e.g. eye and face protection, ear protection, respiratory protection devices, protective footwear, protective gloves and other protective clothing.
 - Only grinding operations for which the superabrasive is suitable shall be carried out (taking into account restrictions of use, safety indications or other information).
 - In the case of cutting-off with hand-held grinding machines, the superabrasive shall be placed in the cutting gap in a straight position. Jamming of the hand-held grinding machine shall be prevented.
 - Before placing the hand-held grinding machine on the workbench or on the floor it shall be turned off and it shall be ensured that the abrasive product has stopped.

- IMPORTANT SAFETY NOTICE

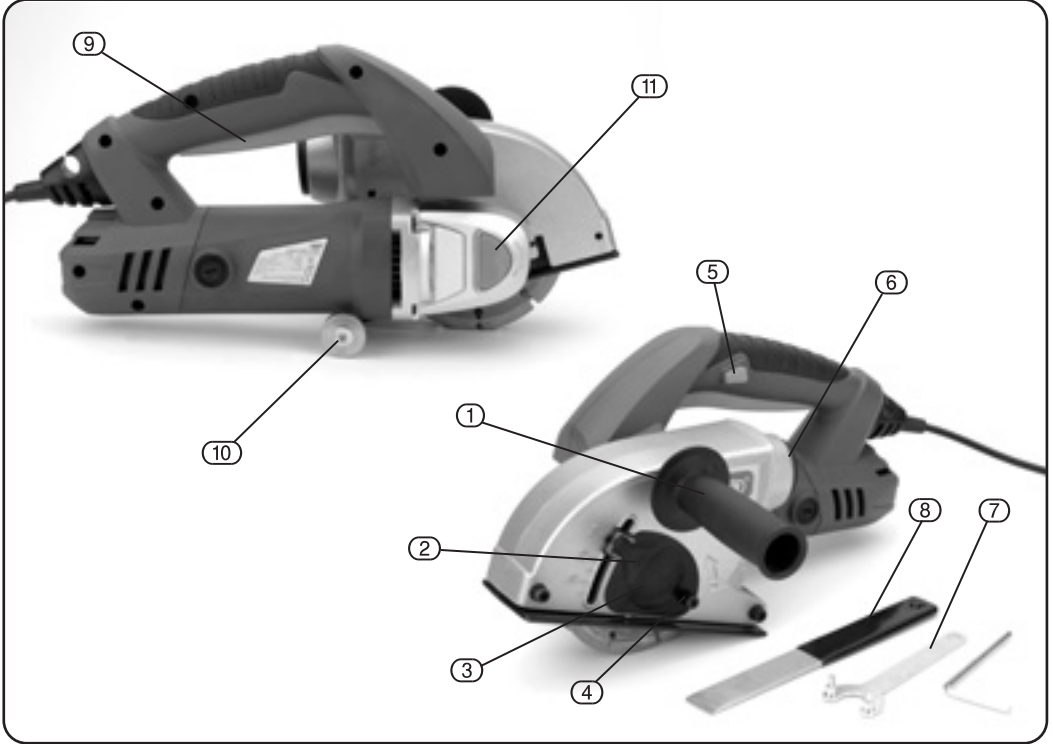
In order to comply to International Standard IEC 60745-2-3 2006 for hand-held motor operated electric tools - Safety Parts 2-3: particular requirements for grinders, polishers and disk type sanders, this grinder should be used for grinding applications only.

This Draper Angle Grinder is fitted/supplied with a guard suitable for grinding applications only.

This grinder should not be used with cutting blades as the guard supplied does not conform to the above standard when being used for cutting applications.

Should you wish to undertake cutting applications then it is essential that you fit the correct blade guard to your grinder. Please contact your nearest Draper Stockist or Draper Tools directly for further information.

6. IDENTIFICATION GUIDE



- | | | | |
|---|-----------------------------|---|----------------------|
| ① | Auxiliary handle. | ⑦ | Spanner. |
| ② | Depth locking knob. | ⑧ | Chisel. |
| ③ | Spindle cover. | ⑨ | Trigger switch. |
| ④ | Spindle cover locking bolt. | ⑩ | Chaser roller. |
| ⑤ | Lock off button. | ⑪ | Spindle lock button. |
| ⑥ | Dust extraction port. | | |

- **UNPACKING:** After removing the packing material, make sure the product is in perfect condition and that there are no visible damaged parts. If in doubt, do not use the product and contact the dealer from whom it was purchased.
- The packaging materials (plastic bags, polystyrene, etc.), must be disposed of in an appropriate refuse collection container. These materials must not be left within the reach of children as they are potential sources of danger.

7.1 REFITTING AND REMOVING CUTTING BLADES

(Figs.1.- 3.):

WARNING: Always ensure that the plug is disconnected from power source, the tool is switched off before refitting or removing cutting blades to prevent accidental starting.

REMOVING CUTTING BLADES

Lay the machine on the side so that the cutting depth scale is visible.

Loosen the depth locking knob by hand and the spindle cover locking bolt with the hexagon wrench supplied. Swivel the spindle cover upward. Whilst depressing the spindle lock button, remove the outer flange using the supplied pin wrench, and then push the base plate outward. Remove the spacers and blades and clean them thoroughly.

REFITTING NEW CUTTING BLADES

Ensure that the inner flange/sleeve is correctly fitted to the spindle.

Place a new diamond cutting blade over the sleeve locating it onto the inner flange, ensure that the direction of rotation arrow on the diamond blade corresponds with the direction of rotation arrow on the protective guard.

Position the required spacer / spacers onto the shaft.

Position the second diamond blade over the shaft locating it onto the spacer, ensure that the direction of rotation arrow on the diamond blade corresponds with the direction of rotation arrow on the protective guard.

NOTE: If you are not setting the machine to its maximum cutting width, the remaining spacers must now be located onto the shaft that is protruding above the outboard blade.

Refit the outer flange, tighten with fingers until the outer flange is clamped. Locate and depress the spindle lock and using the supplied spanner, tighten the outer flange in a anti-clockwise direction until it is firmly clamped but do not over tighten.

Release the spindle lock, refit the spindle cover and tighten the locking knobs.

WARNING: Always wear sturdy gloves when handling or changing blades.

FIG.1



FIG.2



FIG.3



8. OPERATION & USE

NOTE: Before using the wall chaser again, check that the safety devices are in good working order.

IMPORTANT: After replacing the cutting blades make sure that the cutting blades run freely by turning them by hand. Start the machine, if any vibration or unusual noise is present, stop the machine immediately and investigate the cause.

WARNING: When assembling the cutting blades, ensure that the direction-of-rotation arrows on the cutting blades match with the direction-of-rotation arrow on the guard.

8.1 CUTTING DEPTH ADJUSTMENT (Fig.4.):

Loosen the depth locking knob and adjust the required cutting depth according to the depth scale.

Tighten the depth locking knob.

8.2 CUTTING WIDTH ADJUSTMENT (Fig.5.):

Adjust the cutting width by increase or decrease amount of the spacer between two blades.

The cutting width is calculated as follows:

Width of cutting blades is 2mm, and each spacer washer is 3.8mm.

WARNING: At least one spacer must be mounted between the two cutting blades. If you are not setting the machine to its maximum cutting width, the remaining spacers must be located onto the shaft that is protruding above the outboard blade.

DUST EXTRACTION

Connect the dust extraction port to a suitable vacuum cleaner. It is recommended that the dust extraction facility is used at all times.

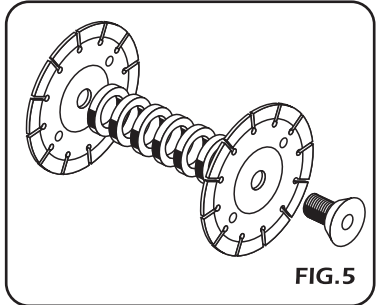
8.3 FITTING AUXILIARY HANDLE (Fig.6.):

Screw the auxiliary handle anti-clockwise into the hole in the protective guard, ensuring that it is screwed firmly.

FIG.4



FIG.5



8.4 USE (Fig.7.):

Switch on and off.

To start the machine, depress the lock-off button and then depress the trigger switch and keep it depressed.

To switch off the machine, just release the trigger switch.

NOTE: In order to reduce the starting current and reduce the switch-on reaction, the machine is equipped with soft start.

The tool is also fitted with over-load and thermal protection. When the motor is overloaded or overheated it will stop. Switch the tool off immediately and allow it to cool for 15 minutes before restarting.

CAUTION: Allow the blade to come to a complete standstill before setting the wall chaser down.

Use the auxiliary handle where possible to gain extra control and to prevent fatigue.

Hold the tool firmly to control the tool.

To prolong the life of the tool never overload it

8.5 GENERAL CUTTING (Fig.8.):

Hold the machine with both handles.

Set down the machine on the front edge of the base plate and chaser roller in such a manner that the cutting blades do not touch the workpiece.

Switch the machine on, slowly lower it and plunge into the material.

Work with moderate feed, suited to the material being worked, while paying attention to the disc rotation direction of the arrow (B) as shown in fig.8.

At the end of the cut, pivot the running cutting blades out of the grooves and switch the machine off.

WARNING: The machine must always be used cutting in the direction of the arrow (C) as shown in fig.8. Never move the machine in the other direction, otherwise there is a danger of it being pushed uncontrolled out of the cut, or it will damage the discs.

WARNING: Do not reduce the speed of the cutting blades when slowing down by applying sideways pressure.

NOTE: When working with 2 cutting blades always replace them in pairs.

WARNING: The mounted blades protrude out of the protective cover. Therefore, never set down the machine on the blades, but on the side.

8.6 COMPLETING THE CUT (Fig.9.):

After cutting the slot each side of the channel remove the part in the centre using the supplied chisel.

FIG.7



FIG.8

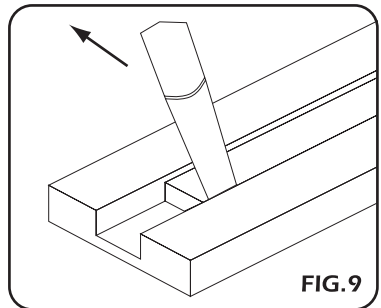
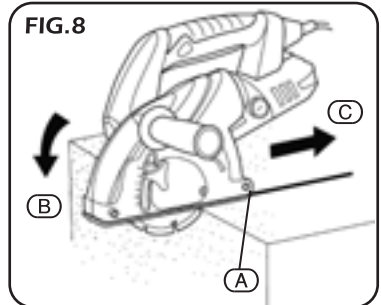


FIG.9

9. OPTIONAL ACCESSORIES

See your local Draper Stockist.

10. MAINTENANCE & PARTS REPLACEMENT

Regular inspection and cleaning reduces the necessity for maintenance operations and will keep your tool in good working condition.

The motor must correctly ventilated during tool operation. For this reason avoid blocking the air inlets. After use disconnect the tool from the power supply and vacuum the ventilation slots.

Always disconnect the device before performing any adjustment or maintenance operation. If the supply cord is damaged. It must be replaced by Draper Tools or an authorised service agent in order to avoid a hazard.

Disconnect from the power supply immediately of the supply cord is damaged.

Take care not to expose this tool to the rain.

CLEANING:

Avoid using solvents when cleaning plastic parts. Most plastic parts are susceptible to damage from various types of commercial solvents and may be damaged by their use. Use clean cloths to remove dirt, carbon dust, etc.

11. DISPOSAL OF POWER TOOLS

- At the end of the machine's working life, or when it can no longer be repaired, ensure that it is disposed of according to national regulations.
- Contact your local authority for details of collection schemes in your area.

In all circumstances:

- Do not dispose of power tools with domestic waste.
- Do not incinerate.
- Do not abandon in the environment.
- Do not dispose of WEEE* as unsorted municipal waste.



* Waste Electrical & Electronic Equipment.

12. TROUBLESHOOTING

WARNING: FOR YOUR OWN SAFETY ALWAYS TURN THE MAIN SWITCH ON THE MACHINE "OFF" AND REMOVE THE PLUG FROM THE POWER SUPPLY BEFORE CARRYING OUT ANY MAINTENANCE OR TROUBLE SHOOTING.

PROBLEMS	POSSIBLE CAUSES	REMEDY
Motor does not start.	<ol style="list-style-type: none"> 1. Fuse. 2. Brushes worn. 3. Other. 	<ol style="list-style-type: none"> 1. Replace/reset time delay fuse or circuit breaker. 2. Have brushes replaced by an authorised service agent. 3. Contact an authorised service agent.
Machine vibrates.	<ol style="list-style-type: none"> 1. Wheel damaged or out of balance. 2. Wheel loose. 	<ol style="list-style-type: none"> 1. Replace wheel. 2. Stop machine immediately, when stopped refit accessory.
Wheel will not cut/grind.	<ol style="list-style-type: none"> 1. Incorrect wheel fitted. 	<ol style="list-style-type: none"> 1. Fit correct wheel for material/application.

13. EXPLANATION OF SYMBOLS/PICTOGRAMS



Immediately unplug the plug from the mains electricity in the case that the cord gets damaged and during maintenance.



Read instructions carefully.



Wear eye protection.



Class II construction (Double insulated).



Wear ear protection.



Do not dispose of WEEE* as unsorted municipal waste.



Wear mask.



Wear gloves.



NOTES

- **DRAPER TOOLS LIMITED,**
Hursley Road, Chandler's Ford,
Eastleigh, Hampshire. SO53 1YF. U.K.

- **Helpline:** (023) 8049 4344
- **Sales Desk:** (023) 8049 4333
- **Internet:** www.draper.co.uk
- **E-mail:** sales@drapertools.com
- **Sales Fax:** (023) 8049 4209
- **General Enquiries:** (023) 8026 6355

- **Service/Warranty Repair Agent**
For aftersales servicing or warranty repairs, please
contact the Draper Tools Helpline for details of an
agent in your local area.

YOUR DRAPER STOCKIST

RDDH290910

©Published by Draper Tools Limited.

No part of this publication may be reproduced, stored in a retrieval system or transmitted in any form or by any means, electronic, mechanical photocopying, recording or otherwise without prior permission in writing from Draper Tools Ltd.