

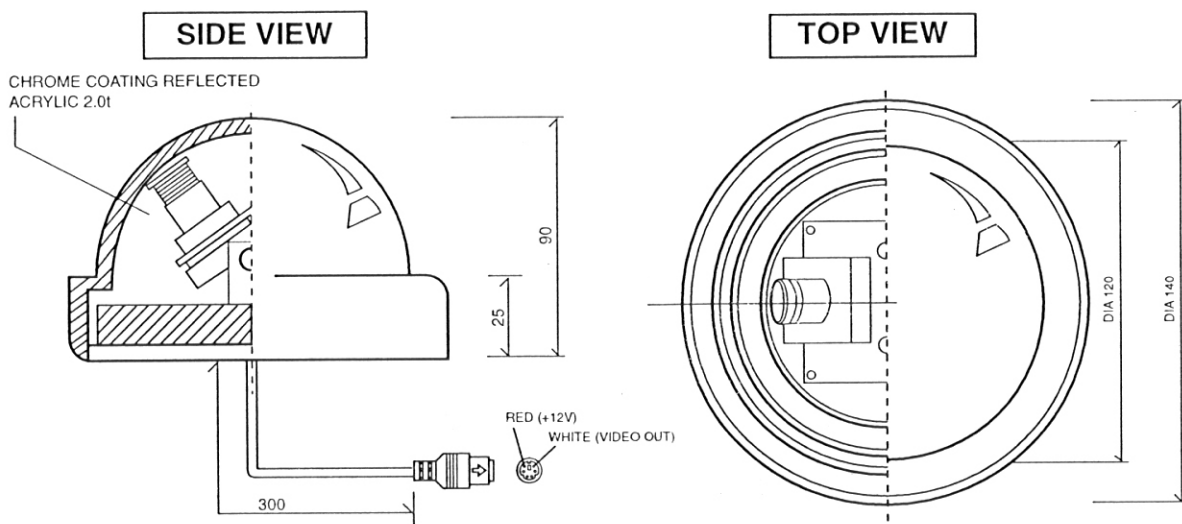
# MODEL : DOME BW

## BLACK AND WHITE DOME CAMERA

### ● GENERAL

- A reliable, high quality 1/3" CCD Camera providing optimum image clarity
- Electronic Iris for use in applications with a wide spectrum of lighting
- 3.8mm lens, 0.5Lux (f 1.6)
- Operating Temperature: 14°F - 130°F
- Adjust the camera direction for the desired picture view

### ● INSTALLATION



1. First you fix the side view on the wall or any place you want using 3 screws.
2. Adjust the camera angle can be rotate 360° be manually
3. Install the top acrylic on the side bottom

SPECIFICATIONS	DOME BW
Image sensor	1/3" B/W CCD CAMERA
TV system	CCIR
Effective pixels	512(H) X 582(V)
Scanning system	2:1 interlaced
Sync system	Internal sync
Resolutions	380 TV lines
Usable illuminations	0.5 Lux F1.6
S/N ratio	More than 48dB
Gamma characteristic	0.45
Video out	1V p-p 75ohm
Electronic shutter time	1/50~1/50,000sec
Power supply	DC 12V (9-15V)
Power consumption	110mA (TYP)
Lens	F 1.6
Angle of view	92°
Focal length	3.8mm